

File: SERVICE MANUAL — Section 70
Replaces: S70-113 SPL/DEC 78
Dist: 3, 3b, 3c
32,

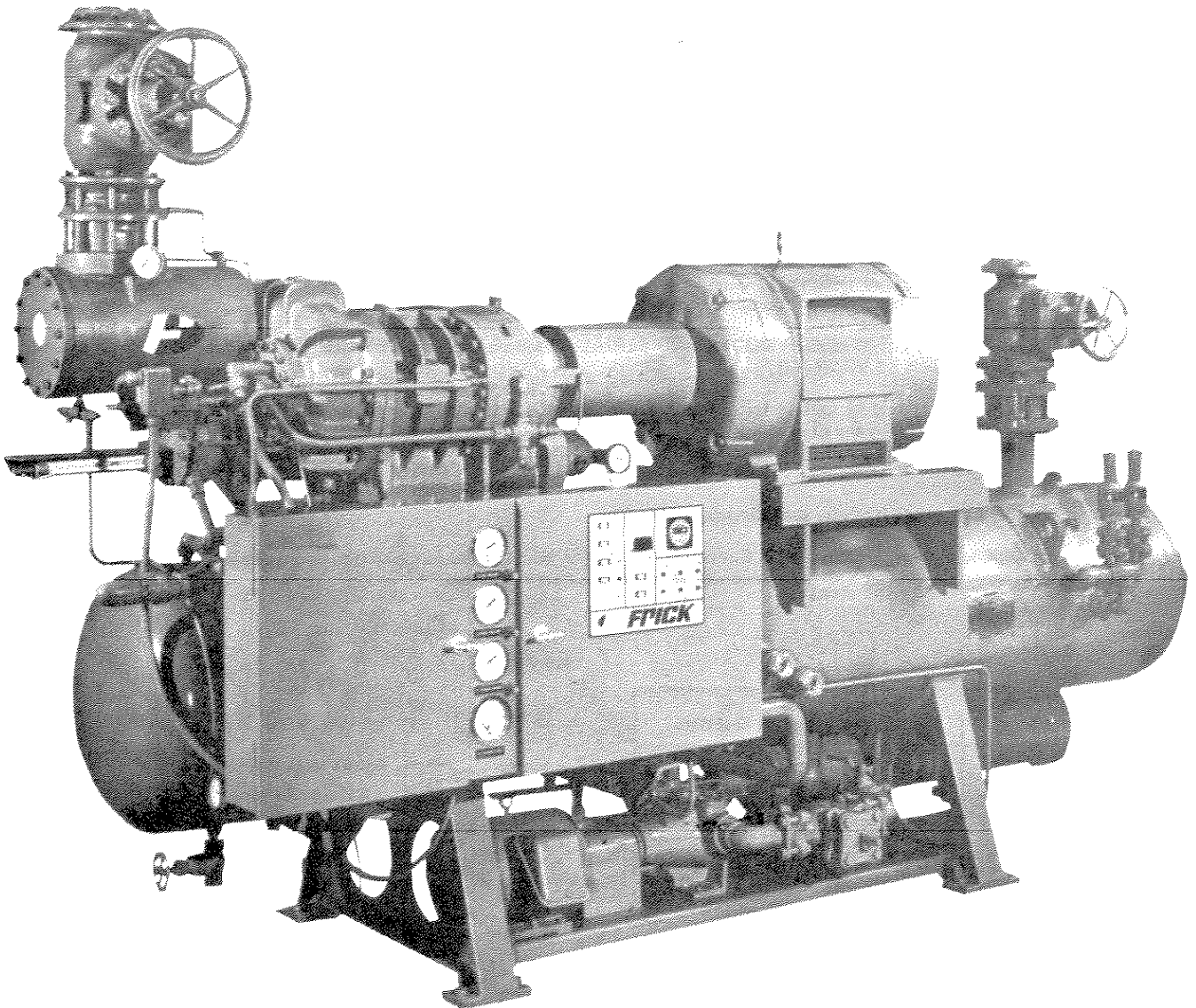
S70 - 113SPL/JUN 80



SERVICE PARTS LIST

FRICK ROTARY SCREW COMPRESSOR UNITS

SERIES: RWB - 28 thru RWB - 334



**SERVICE PARTS LIST
ROTARY SCREW COMPRESSOR UNITS**

HOW TO USE SERVICE PARTS LIST

This Parts List provides identification of Frick RWB Rotary Screw Compressor Unit detail parts by – Stock Number, Nomenclature and Illustration.

To determine correct replacement part, locate part on illustration, note the index number, refer to corresponding index number in Parts List for stock number and nomenclature. Version Code indicate compressors for which the replacement part may be used.

Deviations, modifications and conversions are not taken into consideration.

NOTE: WHEN ORDERING REPLACEMENT PARTS, STOCK NUMBERS MUST BE USED.

“Numbers can vary according to the manufacturing version sequence. These versions are either A, B, C or D. If the seventh digit in the serial number (on the compressor nameplate) is either B, C or D, the compressor is the corresponding version. If the seventh digit of the serial number is anything other than B, C or D, then the compressor is version A.

ALWAYS PROVIDE COMPLETE COMPRESSOR MODEL AND SERIAL NUMBER DATA WHEN ORDERING PARTS SO THAT PROPER PART NUMBER SELECTION CAN BE VERIFIED.”

“The latest balanced seal design should be utilized for all compressors. Some earlier shipped compressors did not have this design so that seal replacement of these units should be by use of a seal conversion kit which includes a revised seal housing plus the necessary balanced seal parts. If the compressor was originally shipped with a balanced seal, or if conversion has already been made, seal replacement is made with a balanced seal repair kit.

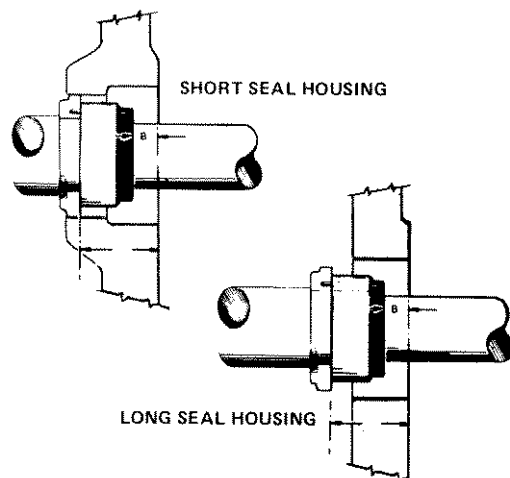
Determination of the seal type can be made by the following procedure:

1. Remove the seal housing and measure dimension B which is the distance from the end of the carbon ring to the end cover face. See Figure A. From Table A determine whether a seal conversion kit or a seal repair kit is required.”

Table A

Comp. Model	Dim. B	Replace Seal With
RWB 28, 40	17/32"	Seal conversion kit
RWB 28, 40	5/32"	Seal repair kit
RWB 54, 78, 93	1"	Seal conversion kit
RWB 54, 78, 93	5/8"	Seal repair kit
RWB 106, 126, 152, 167	1-1/8"	Seal conversion kit
RWB 106, 126, 152, 167	3/4"	Seal repair kit

Figure A.



**SERVICE PARTS LIST
ROTARY SCREW COMPRESSOR UNITS**

TABLE OF CONTENTS

PARTS LIST	Page
Rotary Screw Compressor Units	
RWB-28 and 40	5
RWB-54, 78 and 93	5, 6
RWB-106, 126, 152 and 167	6, 7
RWB-224	10
RWB-334	11
Compressor Assy	
RWB-28 and 40	12, 13
RWB-54, 78 and 93	14, 15
RWB-106, 126, 152 and 167	16, 17, 18
RWB-224 and 334	22, 23
Control Center	24, 25
Filter Installation – Separator	26
Liquid Injection Installation	28
Valve Installation – Booster (Not Illustrated)	29
Oil Cooler Installation	30, 31
Unload Starting Bypass Installation	32
Dual Oil Filter Installation	33
 EXPLODED VIEWS	
Rotary Screw Compressor Units	
RWB-28 thru 167	8
RWB-224 and 334	9
Compressor Assy	
RWB-28 thru 167	20
RWB-224 and 334	21
Control Center	24, 25
Filter Installation – Separator	27
Liquid Injection Installation	28
Oil Cooler Installation	31
Unload Starting Bypass Installation	32
Dual Oil Filter Installation	33
 NUMERICAL SECTION	 34, 35, 36, 37

SERVICE PARTS LIST
ROTARY SCREW COMPRESSOR UNITS

RWB 28, 40

List and Index	Stock Number	Part Number	Nomenclature	Usage Code	Qty Per	
					Assy	Unit
1-	048250		Compressor Package - RWB 28			REF
	048251		Compressor Package - RWB 40			REF
-1	048723	531C0104G01	--Guard - Coupling		1	1
	048724	531C0104G02	--Guard - Coupling		1	1
	048725	531C0104G03	--Guard - Coupling		1	1
-2	450487		--Coupling - Motor, 8 CE (RWB 28,40)		1	1
	450488		--Coupling - Motor, 8 CH (RWB 28,40)		1	1
	450489		--Coupling - Motor, 9 CE (RWB 28,40)		1	1
	450490		--Coupling - Motor 9 CH (RWB 40)		1	1
	458227	531M0034G01	--Accessory Kit - Ammonia			REF
	048417	531M0032G01	--Accessory Kit - Halocarbon			REF
-3	018271	959A0003H09	---Gasket - 4" Flange		1	1
-4	010039	611R-6032	---Valve - Globe, 4" Ammonia		1	1
	011181	611R-53178	---Valve - Globe, 4" Halocarbon		1	1
-5	008877	990A0007H01	---Thermometer - 4", 80 to +120		1	1
-6	009577	990A0002H01	---Thermometer - Oil Temp		2	2
-7	018269	959A0003H07	---Gasket - 3" Flange		1	1
-8	010009	591R-6027	---Valve - Globe 3" Ammonia		1	1
	011178	591R-53176	---Valve - Globe, 3" Halocarbon		1	1
-9	014026	580C0131G13	---Valve - Dual Safety, 1/2		1	1
-10	450001	531D0007G01	--Compressor Assy - RWB 28 (See List 2) (Specify Vi when replacing)		1	1
	008886	531D0007G02	--Compressor Assy - RWB 40 (See List 2) (Specify Vi when replacing)		1	1
-11	450511	960A0026H01	--Pump - Oil, 35 GPM		1	1
-12	008961		--Motor - Pump, 3HP ODP 3/60/230/460		1	1
-13	009806	950A0001H03	--Strainer - 3/4 FLGD - 3/4 Port		1	1
-14	450752		--Valve - Check (CK3-1)		1	1
	048261	531E0043G01	--Package - Compressor Base, RWB 28, 40			
-15	048859	649E0059G01	---Control Center (See List 3)		1	1
	048193	649E0041G01	---Control Center (See List 3A)		1	1
-16	018271	959A0003H09	---Gasket - 4" Flange		1	1
-17	048749	531C0108H01	---Adapter - 4"		1	1
	048384	531C0074H01	---Adapter - 4"		1	1
-18	046205	959A0005H10	---Gasket - Check valve		2	2
-19	450756	956A0009P04	---Valve - Check, 4" (Daniel No. 1600-D)		1	1
	008970	956A0006H03	---Valve - Check (Daniel No. 1601)		1	1
-20	048356	531D0055G01	---Trap Assy - Suction		1	1
-21	046204	531A0019H01	---Cover - Suction Trap		1	1
-22	046203	531A0020H01	---Gasket - Trap Cover		1	1
-23	450262	531B0004H01	---Bag - Filter		1	1
-24	046202	531C0007G01	---Screen Assy - Suction		1	1
-25	048233	531B0016H01	---Gasket - Suct Trap to Compressor		1	1
-26	008887	951A0019H01	---Valve - Solenoid		2	2
-27	068204		---Coil - Solenoid, 110V/ 50-60 Cyc		1	2
-28	011210	120R-42681	---Valve - Angle, 1/2" FPT		1	1
-29	011153	140R-39001	---Valve - Angle, 1" FPT		1	1
-30	010161	121R-10023	---Valve - Globe, 1/2" FPT		1	1
-31	450458	954A0007H01	---Valve - Oil Press. Regulating		1	1
-32	048354	531B0017G01	---Line Assy - Discharge		1	1
-33	047365	959A0005H28	---Gasket - 3"		4	4
-34	018269	959A0003H07	---Gasket - 3"		1	1
-35	048385	531C0075H01	---Adapter - 3"		1	1
-36	048754	956A0010H03	---Valve - Check, 3" (Daniel No. 1602-D)		1	1
	450469	956A0006H02	---Valve - Check, 3" (Daniel No. 1601)		1	1
-37	048363	531C0092G01	---Filter Assy - Oil		1	1
-38	046244	531A0026H01	---Cover - Filter		1	1
-39	046203	531A0020H01	---Gasket - Filter Cover		1	1
-40	450466		---Filter - Oil, 10 Micron		2	2
-41	450507		---Trap - Float		1	1
-42	450178	957A0002H15	---Valve - Ball, 1-1/2" FPT		2	2
-43	008702	951A0037H14	---Strainer - Solenoid Valve		1	1
-44	018267	959A0001H07	---Gasket - 2"		4	4
-45	009093	957A0002H16	---Valve - Ball, 2" FPT		1	1
-46	049469		---Heater - Oil, 500W		2	2
	049470		---Heater - Oil, 1000W		1	1

SERVICE PARTS LIST
ROTARY SCREW COMPRESSOR UNITS

RWB 28, 40

List and Index	Stock Number	Part Number	Nomenclature	Usage Code	Qty Per	
					Assy	Unit
1-47	048226	548D0012G01	---Separator Assy - Oil		1	1
-48	009095		----Indicator - Liquid Level		2	2
-49	009966		----Indicator - Liquid Level		1	1
-50	029641	531A0076H01	---Manway Assy - 11x15		1	1
-51	048222	531B0018G01	---Filter Instl - Separator (See List 4)		1	1
-52	450508		---Pad - Waffle, 5 x 36 x 5/16		2	2
-53	048365	531B0020H01	---Base - Pump & Motor		1	1
-54	048366	531C0045C01	---Stand - Separator		2	2

RWB-54, 78 and 93

List and Index	Stock Number	Part Number	Nomenclature	Usage Code	Qty Per	
					Assy	Unit
1A-	048252		Compressor Package - RWB 54			REF
	048253		Compressor Package - RWB 78			REF
	048254		Compressor Package - RWB 93			REF
-1	048733	531C0105G01	---Guard - Coupling		1	1
	048734	531C0105G02	---Guard - Coupling		1	1
	048735	531C0105G03	---Guard - Coupling		1	1
-2	450489		---Coupling - Motor, 9CE, RWB 54, 78, 93		1	1
	450490		---Coupling - Motor 9 CH, RWB 54, 78, 93		1	1
	450529		---Coupling - Motor, 10 CE, RWB 54, 78, 93		1	1
	450491		---Coupling - Motor, 10 CH, RWB 43, 78, 93		1	1
	450530		---Coupling - Motor, 11 CE, RWB 93		1	1
	450492		---Coupling - Motor, 11 CH, RWB 93		1	1
	048228	531M0027G02	---Accessory Kit - Ammonia			REF
	048440	531M0035G01	---Accessory Kit - Halocarbon			REF
-3	018272	959A0003H01	---Gasket - 5" Flange		1	1
-4	010106	621R-10524	---Valve - Globe, 5" Ammonia		1	1
	010044	621R-39012	---Valve - Globe, 5" Halocarbon		1	1
-5	008877	990A0007H01	---Thermometer - 4", -80 to + 120		1	1
-6	009577	990A0002H01	---Thermometer - Oil Temp		2	2
-7	018271	959A0003H09	---Gasket - 4" Flange		1	1
-8	010039	611R-6032	---Valve - Globe, 4" Ammonia		1	1
	011181	611R-53178	---Valve - Globe, 4" Halocarbon		1	1
-9	014026	580C0131G13	---Valve - Dual Safety, 1/2		1	1
-10	008892	531D0004G01	---Compressor Assy - RWB 54 (See List 2A) (Specify Vi when replacing)		1	1
	008906	531D0004G02	---Compressor Assy - RWB 78 (See List 2A) (Specify Vi when replacing)		1	1
	009871	531D004G05	---Compressor Assy - RWB 93 (See List 2A) (Specify Vi when replacing)		1	1
-11	450511	960A0026H01	---Pump - Oil, 35 GPM		1	1
	450513	960A0026H03	---Pump - Oil, 55 GPM		1	1
-12	008961		---Motor - Pump, 3 HP ODP 3/60/230/460		1	1
	008936		---Motor - Pump, 5 HP ODP 3/60/230/460		1	1
-13	009803	950A0001H05	---Strainer - 1-1/4 FLGD - 1-1/4 Port		1	1
-14	450752		---Valve - Check (CK3-1)		1	1
	048262	531E0041G01	---Package - Compressor Base, RWB, 54, 78, 93			REF
-15	048859	649E0059G01	---Control Center (See List 3)		1	1
	048193	649E0041G01	---Control Center (See List 3A)		1	1
-16	018272	959A0003H10	---Gasket - 5" Flange		1	1
-17			---Flange - 5" Adapter			
	048306		---Flange - 5" Adapter		1	1

SERVICE PARTS LIST
ROTARY SCREW COMPRESSOR UNITS

RWB 54, 78, 93

List and Index	Stock Number	Part Number	Nomenclature	Usage Code	Qty Per	
					Assy	Unit
1A-18	046127	959A0005H11	---Gasket - Check Valve		2	2
-19	450756	956A0009P04	---Valve - Check, 4" (Daniel No. 1600 - D)		1	1
	008970	956A0006H03	---Valve - Check, 4" (Daniel No. 1601)		1	1
-20	048316	531D0046G01	---Trap Assy - Suction		1	1
-21	046096	531A0008H01	---Cover - Suction Trap		1	1
-22	046095	531A0009H01	---Gasket - Trap Cover		1	1
-23	450263	531B0004H02	---Bag - Filter		1	1
-24	046097	531C0003G01	---Screen Assy - Suction		1	1
-25	048234	531B0016H02	---Gasket - Suct Trap to Comp		1	1
-26	008887	951A0019H01	---Valve - Solenoid		2	2
-27	068204		---Coil - Solenoid, 110V / 50-60 Cvc		1	2
-28	011210	120R-42681	---Valve - Angle, 1/2" FPT		1	1
-29	011153	140R-39001	---Valve - Angle, 1" FPT		1	1
-30	010161	121R-10023	---Valve - Globe, 1/2" FPT		1	1
-31	450458	954A0007H01	---Valve - Oil Press, Regulating		1	1
-32	048314	548B0002G01	---Line Assy - Discharge		1	1
-33	048277	959A0005H30	---Gasket - 4"		4	4
-34	018271	959A0003H09	---Gasket - 4" Flange		1	1
-35	048307	531C0050H01	---Adapter - 4"		1	1
-36	450765	956A0010P04	---Valve - Check, 4" (Daniel No. 1602-D)		1	1
	008970	956A0006H03	---Valve - Check, 4" (Daniel No. 1601)		1	1
-37	048310	531C0051G01	---Filter Assy - Oil		1	1
-38	046244	531A0026H01	---Cover - Filter		1	1
-39	046203	531A0020H01	---Gasket - Filter Cover		1	1
-40	450468		---Filter - Oil, 10 Micron		3	3
-41	450507		---Trap - Float		1	1
-42	450178	957A0002H15	---Valve - Ball, 1-1/2" FPT		2	2
-43	006702	951A00037H14	---Strainer - Solenoid Valve		1	1
-44	018267	959A0001H07	---Gasket - 2"		4	4
-45	009093	957A0002H16	---Valve - Ball, 2" FPT		1	1
-46	049469		---Heater - Oil, 500 W		2	2
	049470		---Heater - Oil 1000 W		1	1
-47	048346	548D0008G01	---Separator Assy - Oil		1	1
-48	009095		---Indicator - Liquid Level		2	2
-49	009969		---Indicator - Liquid Level		1	1
-50	029642		---Manway Assy		1	1
-51	048191	531B0015G02	---Filter Instl - Separator (See List 4)		1	1
-52	450508		---Pad - Waffle, 5 x 36 x 5/16		2	2
-53	048317	531B0010H01	---Base - Pump & Motor		1	1
-54	055336	531C0044C01	---Stand - Separator		2	2

RWB-106, 126, 152 and 167

List and Index	Stock Number	Part Number	Nomenclature	Usage Code	Qty Per	
					Assy	Unit
1B-	048255		Compressor Package - RWB 106			REF
	048256		Compressor Package - RWB 126			REF
	048257		Compressor Package - RWB 152			REF
	048258		Compressor Package - RWB 167			REF
-1	048745	531C0106G01	---Guard - Coupling		1	1
	048746	531C0106G02	---Guard - Coupling		1	1
	048747	531C0106G03	---Guard - Coupling		1	1
	048748	531C0106G04	---Guard - Coupling		1	1
-2	450491		---Coupling - Motor, 10 CH (RWB 106 thru 167)		1	1
	450530		---Coupling - Motor 11 CE (RWB 106 thru 167)		1	1
	450492		---Coupling - Motor, 11 CH (RWB 106 thru 167)		1	1
	450017		---Coupling - Motor, 351DBZ-B (RWB 152, 167)		1	1
	048229	531M0031G01	---Accessory Kit - Ammonia			REF
	048441	531M0036G01	---Accessory Kit - Halocarbon			REF
-3	010654	959A0003H12	---Gasket - 8" Flange		1	1
-4	010614	651R-10530	---Valve - Globe, 8" Ammonia		1	1
	011184	651R-39014	---Valve - Globe, 8" Halocarbon		1	1

SERVICE PARTS LIST
 ROTARY SCREW COMPRESSOR UNITS

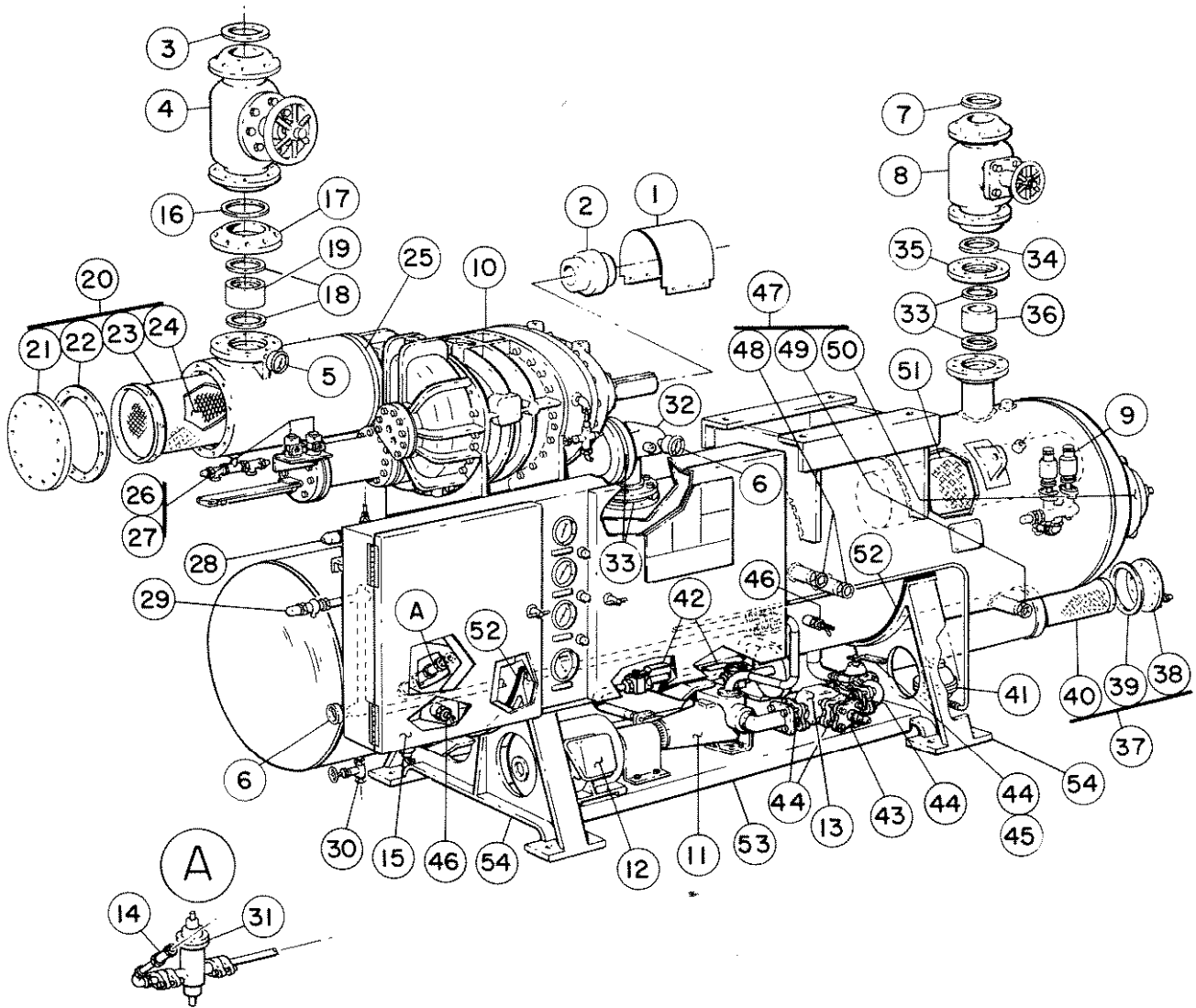
S70-113SPL
 Page 7

RWB 106, 126, 152, 167

List and Index	Stock Number	Part Number	Nomenclature	Usage Code	Qty Per	
					Assy	Unit
1B-5	008877	990A0007H01	---Thermometer - 4", -80 + 120		1	1
-6	009577	990A0002H01	---Thermometer - Oil Temp		2	2
-7	018273	959A0003H11	---Gasket - 6" Flange		1	1
-8	010079	631R-10526	---Valve - Globe, 6" Ammonia		1	1
	011183	631R-39013	---Valve - Globe, 6" Halocarbon		1	1
-9	014026	580C0131G13	---Valve - Dual Safety, 1/2		1	1
-10	008911	531D0019G01	-Compressor Assy - RWB 106 (See List 2B) (Specify Vi when replacing)		1	1
	008912	531D0019G02	-Compressor Assy - RWB 126 (See List 2B) (Specify Vi when replacing)		1	1
	008913	531D0019G03	-Compressor Assy - RWB 152 (See List 2B) (Specify Vi when replacing)		1	1
	450009	531D0019G04	-Compressor Assy - RWB 167 (See List 2B) (Specify Vi when replacing)		1	1
-11	450513	960A0026H03	-Pump - Oil, 55 GPM		1	1
	450515	960A0026H05	-Pump - Oil, 75 GPM		1	1
-12	008936		-Motor - Pump, 5 HP ODP 3/60/230/460		1	1
	008965		-Motor - Pump, 7-1/2 HP ODP 3/60/230/460		1	1
-13	450772	950A0001H06	-Strainer - 1-1/2 FLGD - 1-5/8 Port		1	1
-14	450752		-Valve - Check (CK3-1)		1	1
	048263	531E0042G01	-Package - Compressor Base, RWB 106, 126, 152, 167			REF
-15	048859	649E0059G01	---Control Center (See List 3)		1	1
	048193	649E0041G01	---Control Center (See List 3A)		1	1
-16	010654	959A0003H12	---Gasket - 8" Flange		1	1
-17	048751	531C0110H01	---Flange - 8" Adapter		1	1
	048301		---Flange - 8" Adapter		1	1
-18	046168	959A0005H13	---Gasket - Check Valve		2	2
-19	450759	956A0009P07	---Valve - 8" Check (Daniel No 1600-D)		1	1
	008971		---Valve - 8" Check		1	1
-20	048296	531D0054G01	---Trap Assy - Suction		1	1
-21	046165		---Cover - Suction Trap		1	1
-22	046167		---Gasket - Trap Cover		1	1
-23	450264		---Bag - Filter		1	1
-24	046169		---Screen Assy - Suction		1	1
-25	048235	531B0016H03	---Gasket - Suc Trap to Comp		1	1
-26	008887	990A0006H01	---Valve - Solenoid		2	2
-27	068204		---Coil - Solenoid, 110V / 50-60 Cyc		1	2
-28	011210	120R-42681	---Valve - Angle, 1/2" FPT		1	1
-29	011153	140R-39001	---Valve - Angle, 1" FPT		1	1
-30	010161		---Valve - Globe, 1/2" FPT		1	1
-31	450458	954A0007H01	---Valve - Oil Press. Regulating		1	1
-32	048280	531C0072G01	---Line Assy - Discharge		1	1
-33	048302	959A0005H32	---Gasket - 6"		4	4
-34	018273	959A0003H11	---Gasket - 6" Flange		1	1
-35	048300	531C0065H01	---Flange - 6" Adapter		1	1
-36	048755	956A0010H06	---Valve - 8" Check (Daniel No. 1602-D)		1	1
	450470		---Valve - 8" Check		1	1
-37	048283	531C0073G01	---Filter Assy - Oil		1	1
-38	046244	531A0026H01	---Cover - Filter		1	1
-39	046203	531A0020H01	---Gasket - Filter Cover		1	1
-40	450466		---Filter - Oil, 10 Micron		4	4
-41	450507		---Trap - Float		1	1
-42	009093	957A0002H16	---Valve - Ball, 2" FPT		2	2
-43	008702	951A0037H14	---Strainer - Solenoid Valve		1	1
-44	018267	959A0001H07	---Gasket - 2"		4	4
-45	009093	957A0002H16	---Valve - Ball, 2" FPT		1	1
-46	049469		---Heater - Oil, 500W		2	2
	049470		---Heater - Oil, 1000W		1	1
-47	048297	548D0011G01	---Separator Assy - Oil		1	1
-48	009095		---Indicator - Liquid Level		2	2
-49	009969		---Indicator - Liquid Level		1	1
-50	029642		---Manway Assy		1	1
-51	048192	531B0015G03	---Filter Instl - Separator (See List 4)		1	1
-52	450506		---Pan - Waffle, 8 x 36 x 5/16		1	1
-53	048299	531B0014H01	---Base - Pump & Motor		2	2
-54	048298	531C0046C01	---Stand - Separator		1	1
					2	2

SERVICE PARTS LIST
ROTARY SCREW COMPRESSOR UNITS

EXPLODED VIEW - RWB 28 thru 167



SERVICE PARTS LIST
ROTARY SCREW COMPRESSOR UNITS

RWB 224

List and Index	Stock Number	Part Number	Nomenclature	Usage Code	Qty Per	
					Assy	Unit
1C-	048259	531E0051	Compressor Package - RWB 224			REF
	048846	531M0042G01	---Accessory Kit - Ammonia			REF
	048847	531M0043G01	---Accessory Kit - Halocarbon			REF
-1	010655	959A0003H13	---Gasket - Flange, 10"		2	2
-2	010812	661R-22460	---Valve - Globe, 10" Ammonia		1	1
	013492	661R-44296	---Valve - Globe, 10" Halocarbon		1	1
-3	008877	990A0007H01	---Thermometer - 4" -80 to +120° F		1	1
-4	048065	531C0069G01	---Flange Assy - Adapter, 10"		1	1
-5	047072	959A0005H01	---Gasket - Check Valve, 10"		2	2
-6	450760	9560009P08	---Valve - Check, 10"		1	1
-7	048075	531C0037G01	---Trap Assy - Suction		1	1
-8			---Cover - Suction Trap		1	1
-9			---Gasket - Trap Cover		1	1
-10	450457	531B0004H04	---Bag - Filter		1	1
-11			---Screen Assy - Suction		1	1
-12	010654	959A0003H12	---Gasket - Flange, 8"		2	2
-13	010614	651R-10530	---Valve - Globe, 8" Ammonia		1	1
	011184	651R-39014	---Valve - Globe, 8" Halocarbon		1	1
-14	013543	580C0072G13	---Valve - Dual Safety, 1/2"		1	1
-15	009577	990A0002H01	---Thermometer - 3" + 120 to + 240° F		2	2
-16	048819	531C0097G02	---Guard - Drive Coupling		1	1
-17	450017		---Coupling - Drive (351DBZ-B)		1	1
-18	008848	531C0033C01	---Compressor - RWB 224 (See List 2C) (Specify VI when repl.)		1	1
-19	008836		---Motor - Pump, 5 HP ODP 3/80/230/460		1	1
	008965		---Motor - Pump, 7-1/2 HP ODP 3/80/230/460		1	1
	008966		---Motor - Pump, 1- HP ODP 3/80/230/460		1	1
-20	450513	960A0026H03	---Pump - Oil, 55 GPM		1	1
	450515	960A0026H05	---Pump - Oil, 75 GPM		1	1
	450523		---Pump - Oil		1	1
	048264	531E0051G01	---Package - Compressor Base			REF
-21	048106	531A0059H04	---Gasket - Suct Trap to Compressor		1	1
-22	011153	140R-39000	---Valve - Angle, 1 FPT		1	1
-23	008887	951A0019H01	---Valve - Solenoid		5	5
-24	068204		---Coil 110V/50 - 60 Cyc		1	5
-25	068223	951A0009H01	---Coil		1	1
-26	009807	951A0004H07	---Valve - Solenoid		1	1
-27	048575	959A0005H33	---Gasket - Compressor & Check Valve, 8"		1	1
-28	048555	531C0096H01	---Flange - Adapter, 8"		1	1
-29	048756	956A0010H07	---Valve - Check, 8" (Daniel 1602-D)		1	1
-30	048859	649E0059G01	---Control Center (See List 3)		1	1
-31	049469		---Heater - Oil 500W		3	3
-32	010161	121R-10023	---Valve - Globe, 1/2 FPT		1	1
-33	046242	531C0009G01	---Filter Assy - Oil		1	1
-34	046244	531A0026H01	---Cover - Filter		1	1
-35	046203	531A0020H01	---Gasket - Filter Cover		1	1
-36	450466		---Filter - Oil, 10 Micron		3	3
-37	009093	957A0002H18	---Valve - Ball, 2"		3	3
-38	450752		---Valve - Inline Check		1	1
-39	450458		---Valve - Oil Press. Regulating		1	1
-40	008702	951A0037H14	---Strainer		1	1
-41	018267	959A0001H07	---Gasket - Flange, 2"		3	3
-42	450507		---Trap - Float		1	1
-43	048813	531B0015G05	---Filter Instl - Separator (See list 4)		1	1
-44	048844	548D0033G01	---Separator Assy - Oil, 36 x 138		1	1
-45	009872		---Indicator - Liquid Level		3	3
-46	450879	531A0077H03	---Manway - 12 x 16		1	1
-47	049023	531A0105H02	---Gasket - Manway		1	1
-48	048814	531B0033H01	---Base - Oil Pump & Motor		1	1
-49	048827	531C0117G01	---Stand - Separator		2	2

SERVICE PARTS LIST
ROTARY SCREW COMPRESSOR UNITS

570-113SPL
Page 11

RWB 334

List and Index	Stock Number	Part Number	Nomenclature	Usage Code	Qty Per	
					Assy	Unit
1D-	048260 048567	531E0048 531M0037G01	Compressor Package, RWB 334 —Accessory Kit - Ammonia —Accessory Kit - Halocarbon			REF REF REF
-1	013437	959A0003H14	—Gasket - Flange, 12"		2	2
-2	013585	670R-32144	—Valve - Globe, 12" Ammonia —Valve - Globe, 12" Halocarbon		1 1	1 1
-3	008877	990A0007H01	—Thermometer - 4", -80 to + 120 °F		1	1
-4	048064	531A0068G01	—Flange Assy - Adapter, 12"		1	1
-5	047073	959A0005H15	—Gasket - Check Valve, 12"		2	2
-6	048753	956A0009H09	—Valve - Check, 12" (Daniel 1600-D)		1	1
-7	048073	531C0036G01	—Trap Assy - Suction		1	1
-8	048070	531A0063H01	—Cover - Suction Trap		1	1
-9	048071	531A0064H01	—Gasket - Trap Cover		1	1
-10	450457	531B0004H04	—Bag - Filter		1	1
-11	048066	531C0035G01	—Screen Assy - Suction		1	1
-12	010654	959A0003H12	—Gasket - Flange, 8"		2	2
-13	010614	651R-10530	—Valve - Globe, 8" Ammonia		1	1
	011184	651R-39014	—Valve - Globe, 8" Halocarbon		1	1
-14	014026	580C0131G13	—Valve - Dual Safety, 1/2"		1	1
-15	009577	990A0002H01	—Thermometer - 3", + 20 to + 240° F		2	2
-16	048559	531C0097G01	—Guard - Drive Coupling		1	1
-17	450524		—Coupling - Drive (425 AMR)		1	1
-18	008849	531C0034G01	—Compressor - RWB 334 (See List 2C) (Specify VI when repl)		1	1
-19	008965		—Motor - Pump, 7-1/2 HP ODP 3/80/230/460		1	1
	008966		—Motor - Pump, 10 HP ODP 3/80/230/460		1	1
-20	450523		—Pump - Oil		1	1
	048265	531E0048G01	—Package - Cpmressor Base			REF
-21	048106	531A0059H04	—Gasket - Suct Trap to Compressor		1	1
-22	011153	140R-39001	—Valve - Angle, 1 FPT		1	1
-23	008887	951A0019H01	—Valve - Solenoid		4	4
-24	068204		—Coil - 110V / 50-60 Cyc		1	4
		Not Applicable	—Indices 25, 26			
-27	048575	959A0005H33	—Gasket - Compressor & Check Valve		3	3
-28	048555	531C0096H01	—Flange - Adapter, 8"		1	1
-29	048756	956A0010H07	—Valve - Check, 8" (Daniel 1602-D)		1	1
-30	048859	649E0059G01	—Control Center (See List 3)		1	1
-31	049469		—Heater - Oil, 500 W		3	3
-32	010161	121R-10023	—Valve - Globe, 1/2 FPT		1	1
-33	046242	531C0009G01	—Filter - Oil		2	2
-34	046244	531A0026H01	—Cover - Filter		1	2
-35	046203	531A0020H01	—Gasket - Filter Cover		1	2
-36	450466		—Filter - Oil, 10 Micron		3	6
-37	009093	957A0002H16	—Valve - Ball, 2"		3	3
-38	450572		—Valve - Inline Check		1	1
-39	450458		—Valve - Oil Press. Regulating		1	1
-40	008702	951A0037H14	—Strainer		1	1
-41	018267	959A0001H07	—Gasket - Flange, 2"		3	3
-42	450507		—Trap - Float		1	1
-43	048498	531B0015G04	—Filter Instl - Separator (See List 4)		1	1
-44	048564	548D0017G01	—Separator Assy - Oil, 42 x 180		1	1
-45	009872		—Indicator - Liquid Level		3	3
-46	450879	531A0077H03	—Manway - 12 x 16		1	1
-47	049023	531A0105H02	—Gasket - Manway		1	1
-48			—Base - Oil Pump & Motor		1	1
-49	048541	531C0095G01	—Stand - Separator		2	2

SERVICE PARTS LIST
ROTARY SCREW COMPRESSOR UNITS

RWB 28 and 40 COMPRESSOR

List & Index	Part Number	Nomenclature	Version Code	Qty Per Unit	
				REF	REF
2-	450001	Compressor Assy - RWB 28	ABCD	REF	
	008886	Compressor Assy - RWB 40	ABCD		REF
-1	450606	-Plate & Tube Assy - Unloader	CD	1	1
	450591	-Plate & Tube Assy - Unloader	AB	1	1
	450592	-Plate & Tube Assy - Unloader	AB		1
		ATTACHING PARTS			
	450639	-Capscrew - Soc. Hd., 1/2 - 13 x 2-3/4 ***	ABCD	9	9
-2	450628	-O-Ring (Parker No. 2-360-147-7)	ABCD	1	1
-3	450635	-O-Ring (Parker No. 2-118C-147-7)	CD	1	1
	450333	-O-Ring (Parker No. 2-115C-147-7) (Note 1)	AB	1	1
-4	450634	-Seal - Slipper	CD	1	1
	450331	-Seal - Slipper (Note 1)	AB	1	1
-5	450610	-Piston - Unloader	CD	1	1
	450611	-Piston - Unloader (Note 1)	AB	1	1
		ATTACHING PARTS			
	450637	-Ring - Retaining	CD	1	1
	450576	-Nut - Lock (SAE-N-07)	AB	1	1
	450712	-Washer - Lock ***	AB	1	1
-6	450325	-Seal - Slipper	ABCD	1	1
-7	450329	-O-Ring (Parker No. 2-344-C-147-7)	ABCD	1	1
-8	450636	-O-Ring (Parker No. 2-220-C-147-7)	CD	1	1
-9	450547	-Cylinder - Unloader Piston	ABCD	1	1
		ATTACHING PARTS			
	450638	-Capscrew - Soc. Hd., 1/2 - 13 x 1-3/4 ***	ABCD	10	10
-10	450625	-O-Ring (Parker No. 2-350-C-147-7)	ABCD	1	1
-11	450659	-Spacer - Unloader Piston	ABCD	1	1
-12	450539	-Cover - Balance Piston	D	1	1
	450539	-Cover - Balance Piston (Specify w/4 tapped oil holes)	C	1	1
	450540	-Cover - Balance Piston (Note 1)	AB	1	1
		ATTACHING PARTS			
	450583	-Capscrew - Soc. Hd. 5/8 - 11 x 1-3/4 ***	ABCD	8	8
-13	450627	-O-Ring (Parker No. 2-346-C-147-7)	ABCD	2	2
-14	450612	-Piston - Balancing	ABCD	1	1
		ATTACHING PARTS			
	450631	-Ring - Retaining (Truarc No. 5100-200)	ABCD	1	1
	450569	-Key - Balance Piston ***	ABCD	1	1
-15	450658	-Sleeve - Balancing Piston	D	1	1
	450651	-Sleeve - Balancing Piston (Order SLV 61)	ABC	1	1
-16	450552	-Elbow - 90°	CD	1	1
	450551	-Elbow - 90° (Note 1)	AB	1	1
-17	450567	-Housing - Shaft Seal	D	1	1
	450568	-Housing - Shaft Seal	C	1	1
	450564	-Housing - Shaft Seal	AB	1	1
		ATTACHING PARTS			
	450582	-Capscrew - Soc. Hd., 3/8 - 16 x 1-1/2 ***	ABCD	6	6
-18	450350	-O-Ring (Parker No. 2-238-C-147-7)	ABCD	2	2
-19	SEL 45T1	-Seal Assy - Shaft (Order Kit No. 450725)	CD	1	1
	SEL 31A	-Seal Assy - Shaft (Order Kit No. 450728)	AB	1	1
-20	450590	-Pin - Spring, 1/8 x 3/4	ABCD	1	1
-21	450633	-Ring - Seal	CD	1	1
	450618	-Ring - Seal	AB	1	1
NOTE 1: CONSULT FACTORY - Part Number Varies with Application and Accessories.					

SERVICE PARTS LIST
ROTARY SCREW COMPRESSOR UNITS

S70-113SPL
Page 13

RWB 28 and 40 COMPRESSORS

List & Index	Part Number	Nomenclature	Version Code	Qty Per Unit	
2-22	450589	-Pin - Spring, 1/8 x 3/8	ABCD	1	1
-23	450537	-Housing - Discharge	D	1	1
	450536	-Housing - Discharge	C	1	1
	450538	-Housing - Discharge	AB	1	1
		ATTACHING PARTS			
	450584	-Capscrew - Soc. Hd., 5/8 - 11 x 2 ***	ABCD	AR	AR
-24	450562	-Gasket - Discharge Housing	D	1	1
	450626	-O-Ring (Parker No. 2-385-C-147-7)	ABC	1	1
-25		-Slide Valve & Unloader Spindle Assy	ABCD	1	1
-26	450687	---Valve - Slide (Hi-Temp. Comp.)	CD	1	
	450674	---Valve - Slide (Hi-Temp. Comp.) (Note 1)	AB	1	
	450690	---Valve - Slide (Hi-Temp. Comp.)	CD		1
	450675	---Valve - Slide (Hi-Temp. Comp.) (Note 1)	AB		1
	450686	---Valve - Slide (Lo-Temp. Comp.)	CD	1	
	450676	---Valve - Slide (Lo-Temp. Comp.) (Note 1)	AB	1	
	450689	---Valve - Slide (Lo-Temp. Comp.)	CD		1
	450677	---Valve - Slide (Lo-Temp. Comp.) (Note 1)	AB		1
	450685	---Valve - Slide (Ultra-Low Temp. Comp.)	CD	1	
	450688	---Valve - Slide (Ultra-Low Temp. Comp.)	CD		1
		ATTACHING PARTS			
	450637	---Ring - Retaining	CD	1	1
	450576	---Nut - Lock (SAE-N-07) (Note 1)	AB	1	1
	450712	---Washer - Lock (Note 1) ***	AB	1	1
-26A	450647	---Shim)			
	450648	---Shim) Use in combination to obtain approx. .004 min. axial clearance	CD	AR	AR
-27	450664	---Spindle - Unloader	CD		
	450665	---Spindle - Unloader	AB	1	1
-28	450553	-Guide - Slide Valve	CD	1	1
	450554	-Guide - Slide Valve	AB	1	1
		ATTACHING PARTS			
	450578	-Capscrew - Hex Hd., 3/8 - 16 x 1-1/2	ABCD	4	4
	450594	-Plate - Locking ***	ABCD	2	2
-29	450609	-Plug - Valve Guide Spindle	ABCD	1	1
-30	450558	-Gasket - Plug	ABCD	1	1
-31	450588	-Pin - Guide Spindle	ABCD	1	1
-32	450666	-Spindle - Valve Guide	ABCD	1	1
-33	450555	-Guide - Slide Valve	ABCD	1	1
-34	450574	-Lock Nut - Bearing Inner Race	ABCD	2	2
-35	450715	-Lock Washer	ABCD	2	2
-36	450570	-Lock Nut - Bearing Outer Race	ABCD	2	2
		ATTACHING PARTS			
	450577	-Capscrew - Hex Hd., 3/8 - 16 x 5/8	ABCD	2	2
	450607	-Plate - Locking (Select Part at Assembly)	ABCD	2	2
	450608	-Plate - Locking (Select Part at Assembly) ***	ABCD	2	2
-37	450649	-Sleeve - Male Rotor Bearing	ABCD	1	1
	450650	-Sleeve - Female Rotor Bearing	ABCD	1	1
		ATTACHING PARTS			
	450579	-Capscrew - Hex Hd., 1/2 - 13 x 3-3/4	ABCD	8	8
	450595	-Plate - Locking	ABCD	2	2
	450596	-Plate - Locking ***	ABCD	2	2
-38	450533	-Bearing Thrust (Pair)	ABCD	2	2
-39	450644	-Shim - Thrust Bearing	ABCD	2	2

NOTE: CONSULT FACTORY - Part Number Varies with Application and Accessories.

SERVICE PARTS LIST
ROTARY SCREW COMPRESSOR UNITS

RWB 54, 78, 93 COMPRESSORS

List & Index	Part Number	Nomenclature	Version Code	Qty Per Unit		
				REF	REF	REF
2A-	008892	Compressor Assy - RWB 54	ABC	REF		
	008906	Compressor Assy - RWB 78	ABC		REF	
	009871	Compressor Assy - RWB 93	C			REF
-1	450605	-Plate & Tube Assy - Unloader	C	1		
	450531	-Plate & Tube Assy - Unloader (Note 1)	AB	1		
	450606	-Plate & Tube Assy - Unloader	C		1	1
	450532	-Plate & Tube Assy - Unloader (Note 1)	AB		1	
		ATTACHING PARTS				
	450639	-Capscrew - Soc. Hd., 1/2 - 13 x 2-3/4 ***	ABC	8	8	8
-2	450628	-O-Ring (Parker No. 2-360-C-147-7) RNG-207	ABC	1	1	1
-3	450635	-O-Ring (Parker No. 2-118-C-147-7) RNG-256	C	1	1	1
	450333	-O-Ring (Parker No. 2-115-C-147-7) (Note 1)	AB	1	1	
-4	450634	-Seal - Slipper RNG-255	C	1	1	1
	450331	-Seal - Slipper (Note 1)	AB	1	1	
-5	450615	-Piston - Unloader PST-107	C	1	1	1
	450720	-Piston - Unloader (Note 1)	AB	1	1	
		ATTACHING PARTS				
	450637	-Ring - Retaining	C	1	1	1
	450576	-Nut - Lock (SAE-N-07)	AB	1	1	
	450712	-Washer - Lock ***	AB	1	1	
-6	450326	-Seal - Slipper RNG-131	ABC	1	1	1
-7	450330	-O-Ring (Parker No. 2-428-C-147-7) RNG-210	AB	1	1	
-8	450636	-O-Ring (Parker No. 2-220-C0147-7) RNG-275	C	1	1	1
-9	450549	-Cylinder - Unloader Piston	ABC	1	1	
	450550	-Cylinder - Unloader Piston	C			1
		ATTACHING PARTS				
	450640	-Capscrew - Soc. Hd., 1/2 - 13 x 1-1/2 ***	ABC	10	10	10
-10	450630	-O-Ring (Parker No. 2-255-C-147-7)	ABC	1	1	1
-11	450663	-Spacer - Unloader Piston	ABC	1		
-12	450546	-Cover - Balance Piston (Specify w/4 tapped oil holes)	C	1	1	1
	450546	-Cover - Balance Piston (Note 1)	AB	1	1	
		ATTACHING PARTS				
	450583	-Capscrew - Soc. Hd. 5/8 - 11 x 1-3/4 ***	ABC	10	10	10
-13	450629	-O-Ring (Parker No. 2-431-C-147-7)	ABC	2	2	2
-14	450616	-Piston - Balancing	ABC	1	1	1
		ATTACHING PARTS				
	450632	-Ring - Retaining (Truarc No. 5100-268)	ABC	1	1	1
	450569	-Key - Balance Piston ***	ABC	1	1	1
-15	450657	-Sleeve - Balancing Piston	ABC	1	1	1
-16	450552	-Elbow - 90°	C	1	1	1
	450551	-Elbow - 90° (Note 1)	AB	1	1	
-17	450566	-Housing - Shaft Seal	C	1	1	1
	450563	-Housing - Shaft Seal	AB	1	1	
		ATTACHING PARTS				
	450582	-Capscrew - Soc. Hd., 3/8 - 16 x 1-1/4 ***	ABC	6	6	6
-18	450351	-O-Ring (Parker No. 2-24-2C-147-7)	ABC	2	2	2
-19	SEL 46T1	-Seal Assy - Shaft (Order Kit No. 450726)	C	1	1	1
	SEL 32A	-Seal Assy - Shaft (Order Kit No. 450729)	AB	1	1	
-20	450590	-Pin - Spring, 1/8 x 3/4	ABC	1	1	1
-21	450617	-Ring - Seal	ABC	1	1	1
-22	450589	-Pin - Spring, 1/8 x 3/8	ABC	1	1	1

NOTE 1: CONSULT FACTORY - Part Number Varies with Application and Accessories.

SERVICE PARTS LIST
ROTARY SCREW COMPRESSOR UNITS

S70-113SPL
Page 15

RWB 54, 78, 93 COMPRESSORS

List & Index	Part Number	Nomenclature	Version Code	Qty Per Unit		
2A-23	450545	-Housing - Discharge	C	1	1	1
	450717	-Housing - Discharge	AB	1	1	
		ATTACHING PARTS				
	450584	-Capscrew - Soc. Hd. 5/8 - 11 x 2 ***		AR	AR	AR
-24	450560	-Gasket - Discharge Housing	ABC	1	1	1
-25		-Slide Valve & Unloader Spindle Assy	ABC	1	1	1
-26	450693	---Valve - Slide (Hi-Temp Comp.)	C	1		
	450718	---Valve - Slide (Hi-Temp Comp.) (Note 1)	AB	1		
	450696	---Valve - Slide (Hi-Temp Comp.)	C		1	
	450722	---Valve - Slide (Hi-Temp Comp.) (Note 1)	AB		1	
	450699	---Valve - Slide (Hi-Temp Comp.)	C			1
	450692	---Valve - Slide (Lo-Temp Comp.)	C	1		
	450719	---Valve - Slide (Lo-Temp Comp.) (Note 1)	AB	1		
	450695	---Valve - Slide (Lo-Temp Comp.)	C		1	
	450723	---Valve - Slide (Lo-Temp Comp.) (Note 1)	AB		1	
	450698	---Valve - Slide (Lo-Temp Comp.)	C			1
	450691	---Valve - Slide (Ultra-Low Temp. Comp.)	C	1		
	450694	---Valve - Slide (Ultra-Low Temp. Comp.)	C		1	
	450697	---Valve - Slide (Ultra-Low Temp. Comp.)	C			1
		ATTACHING PARTS				
	450637	---Ring - Retaining	C	1	1	1
	450576	---Nut - Lock (SAE-N-07)	AB	1	1	
	450712	---Washer - Lock (Note 1) ***	AB	1	1	
-26A	450647	---Shim (Use in combination to obtain approx. .004 min. axial clearance)	C	AR	AR	AR
	450648	---Shim	C	AR	AR	AR
-27	450671	---Spindle - Unloader	C	1		
	450721	---Spindle - Unloader (Note 1)	AB	1		
	450672	---Spindle - Unloader	C		1	
	450724	---Spindle - Unloader (Note 1)	AB		1	
	450673	---Spindle - Unloader	C			1
-28	450557	-Guide - Slide Valve	C	1	1	1
	450716	-Guide - Slide Valve	ABC	1	1	
		ATTACHING PARTS				
	450578	-Capscrew - Hex Hd., 3/8 - 16 x 1-1/2	ABC	4	4	4
	450597	-Plate - Locking ***	ABC	2	2	2
-29	450609	-Plug - Valve Guide Spindle	ABC	1	1	1
-30	450558	-Gasket - Plug	ABC	1	1	1
-31	450688	-Pin - Guide Spindle	ABC	1	1	1
-32	450666	-Spindle - Valve Guide	ABC	1	1	1
-33	450555	-Guide - Slide Valve	ABC	1	1	1
-34	450573	-Lock Nut - Bearing Inner Race	ABC	2	2	2
-35	450714	-Lock Washer - Bearing Inner Race	ABC	2	2	2
-36	450575	-Lock Nut - Bearing Outer Race	ABC	2	2	2
		ATTACHING PARTS				
	450577	-Capscrew - Hex Hd., 3/8 - 16 x 1/2	ABC	2	2	2
	450604	-Plate - Lock ***	ABC	2	2	2
-37	450655	-Sleeve - Male Rotor Bearing	ABC	1	1	1
	450656	-Sleeve - Female Rotor Bearing	ABC	1	1	1
		ATTACHING PARTS				
	450580	-Capscrew - Hex Hd., 1/2 - 13 x 4-1/2	ABC	8	8	8
	450598	-Plate - Locking	ABC	2	2	2
	450599	-Plate - Locking ***	ABC	2	2	2
-38	450534	-Bearing - Thrust (Pair)	ABC	2	2	2
-39	450646	-Shim - Bearing	ABC	2	2	2
NOTE 1: CONSULT FACTORY - Part Number Varies with Application and Accessories.						

SERVICE PARTS LIST
ROTARY SCREW COMPRESSOR UNITS

RWB 106, 126, 152, 167 COMPRESSORS

List & Index	Part Number	Nomenclature	Version Code	Qty Per Unit			
				REF	REF	REF	REF
28-	008911	Compressor Assy - RWB 106	ABC	REF			
	008912	Compressor Assy - RWB 126	ABC		REF		
	008913	Compressor Assy - RWB 152	ABC			REF	
	450009	Compressor Assy - RWB 167	ABC				REF
-1	450602	-Plate & Tube Assy - Unloader	C	1			
	450602	-Plate & Tube Assy - Unloader (Note 1)	AB	1			
	450603	-Plate & Tube Assy - Unloader (Note 1)	ABC		1		
	450603	-Plate & Tube Assy - Unloader	C			1	
	450603	-Plate & Tube Assy - Unloader (Note 1)	AB			1	
		ATTACHING PARTS					
	450587	-Capscrew - Soc. Hd., 5/8 - 11 x 2-3/4 ***	ABC	8	8	8	8
-2	450624	-O-Ring (Parker No. 2-365-C-147-7)	ABC	1	1	1	1
-3	450635	-O-Ring (Parker No. 2-118-C-147-7)	C	1	1	1	1
	450334	-O-Ring (Parker No. 2-212-C-147-7) (Note 1)	AB	1	1	1	1
-4	450634	-Seal - Slipper	C	1	1	1	1
	450332	-Seal - Slipper (Note 1)	AB	1	1	1	1
-5	450613	-Piston - Unloader	ABC		1		1
	450613	-Piston - Unloader	C	1		1	
	450613	-Piston - Unloader	AB	1		1	
		ATTACHING PARTS					
	450637	-Ring - Retaining	C	1	1	1	1
	450620	-Ring - Retaining (Note 1) ***	AB	1	1	1	1
-6	450327	-Seal - Slipper	ABC	1	1	1	1
-7	450328	-O-Ring (Parker No. 2-436-C-147-7)	ABC	1	1	1	1
-8	450636	-O-Ring (Parker No. 2-220-C-147-7)	C	1	1	1	1
	450636	-O-Ring (Parker No. 2-220-C-147-7) (Note 1)	AB	1	1	1	1
-9	450548	-Cylinder - Unloader Piston	ABC		1		1
	450548	-Cylinder - Unloader Piston	C	1		1	
	450548	-Cylinder - Unloader Piston (Note 1)	AB	1		1	
		ATTACHING PARTS					
	450583	-Capscrew - Soc Hd., 5/8 - 11 x 1-3/4 ***	ABC	10	10	10	10
-10	450622	-O-Ring (Parker No. 2-440-C-147-7)	ABC	1	1	1	1
-11	450660	-Spacer - Unloader Piston	C	1			
	450660	-Spacer - Unloader Piston (Note 1)	AB	1			
	450661	-Spacer - Unloader Piston	ABC		1		
	450662	-Spacer - Unloader Piston	C			1	
	450662	-Spacer - Unloader Piston (Note 1)	AB			1	
-12	450543	-Cover - Balance Piston (Specify w/4 tapped oil holes)	C	1	1	1	1
	450544	-Cover - Balance Piston (Note 1)	AB	1	1	1	1
		ATTACHING PARTS					
	450584	-Capscrew - Soc. Hd., 5/8 - 11 x 2 ***	ABC	10	10	10	10
-13	450623	-O-Ring (Parker No. 2-439-C-147-7)	ABC	2	2	2	2
-14	450614	-Piston - Balancing	ABC	1	1	1	1
		ATTACHING PARTS					
	450621	-Ring - Retaining (Truarc No. 5100-350)	ABC	1	1	1	1
	450569	-Key - Balance Piston ***	ABC	1	1	1	1
-15	450654	-Sleeve - Balancing Piston	ABC	1	1	1	1
-16	450552	-Elbow - 90°	C	1	1	1	1
	450551	-Elbow - 90° (Note 1)	AB	1	1	1	1
-17	450568	-Housing - Shaft Seal	C	1	1	1	1
	450565	-Housing - Shaft Seal (Note 1)	AB	1	1	1	1
		ATTACHING PARTS					
	450582	-Capscrew - Soc. Hd., 3/8 - 16 x 1-1/4 ***	ABC	6	6	6	6

NOTE 1: CONSULT FACTORY - Part Number Varies with Application and Accessories.

**SERVICE PARTS LIST
ROTARY SCREW COMPRESSOR UNITS**

570-1135PL
Page 17

RWB 106, 126, 152, 167 COMPRESSORS

List & Index	Part Number	Nomenclature	Version Code	Qty Per Unit				
28-18 -19 -20 -21 -22 -23	450352	-O-Ring (Parker No. 2-246-C-147-7)	C	1	1	1	1	
	450352	-O-Ring (Parker No. 2-246-C-147-7)	AB	2	2	2	2	
	SEL 47T1	-Seal Assy - Shaft (Order Kit No. 450727)	C	1	1	1	1	
	SEL 33A	-Seal Assy - Shaft (Order Kit No. 450730)	AB	1	1	1	1	
	450590	-Pin - Spring, 1/8 x 3/4	ABC	1	1	1	1	
	450619	-Ring - Seal	ABC	1	1	1	1	
	450589	-Pin - Spring, 1/8 x 3/8	ABC	1	1	1	1	
	450541	-Housing - Discharge	C	1	1	1	1	
	450542	-Housing - Discharge	AB	1	1	1	1	
	ATTACHING PARTS							
		450586	-Capscrew - Soc. Hd., 5/8 - 11 x 2-1/2	C	AR	AR	AR	AR
		450585	-Capscrew - Soc. Hd., 5/8 - 11 x 2-1/4	AB	AR		AR	
		450586	-Capscrew - Soc. Hd., 5/8 - 11 x 2-1/2 (Note 1) ***	AB		AR		AR
-24 -25 -26	450561	-Gasket - Discharge Housing	C	1	1	1	1	
	450559	-Gasket - Discharge Housing	AB	1	1	1	1	
		-Slide Valve & Unloader Spindle Assy	ABC	1	1	1	1	
	450702	--Valve - Slide (Hi-Temp. Comp.)	C	1				
	450678	--Valve - Slide (Hi-Temp. Comp.) (Note 1)	AB	1				
	450705	--Valve - Slide (Hi-Temp. Comp.)	C		1			
	450683	--Valve - Slide (Hi-Temp. Comp.)	AB		1			
		--Valve - Slide (Hi-Temp. Comp.)	C			1		
		--Valve - Slide (Hi-Temp. Comp.) (Note 1)	AB			1		
		--Valve - Slide (Hi-Temp. Comp.)	C				1	
-26A -27	450708	--Valve - Slide (Lo-Temp. Comp.)	C				1	
	450679	--Valve - Slide (Lo-Temp. Comp.) (Note 1)	AB				1	
	450711	--Valve - Slide (Lo-Temp. Comp.)	C				1	
	450682	--Valve - Slide (Lo-Temp. Comp.)	AB				1	
	450701	--Valve - Slide (Lo-Temp. Comp.)	C	1				
	450680	--Valve - Slide (Lo-Temp. Comp.) (Note 1)	AB	1				
	450704	--Valve - Slide (Lo-Temp. Comp.)	C		1			
	450707	--Valve - Slide (Lo-Temp. Comp.)	C			1		
	450681	--Valve - Slide (Lo-Temp. Comp.)	AB			1		
	450710	--Valve - Slide (Lo-Temp. Comp.)	C				1	
	450684	--Valve - Slide (Lo-Temp. Comp.)	AB				1	
	450700	--Valve - Slide (Ultra-Low Temp. Comp.)	C	1				
	450703	--Valve - Slide (Ultra-Low Temp. Comp.)	C		1			
	450706	--Valve - Slide (Ultra-Low Temp. Comp.)	C			1		
	450709	--Valve - Slide (Ultra-Low Temp. Comp.)	C				1	
ATTACHING PARTS								
	450637	--Ring - Retaining (Truarc No. 5160-137)	C	1	1	1	1	
	450620	--Ring - Retaining (Truarc No. 5100-137) ***	AB	1	1	1	1	
-26A -27	450647	--Shim) Use in combination to obtain approx.	ABC	AR	AR	AR	AR	
	450648	--Shim) .004 min. axial clearance	ABC	AR	AR	AR	AR	
	450667	--Spindle - Unloader	C	1				
-28	450667	--Spindle - Unloader (Note 1)	AB	1				
	450670	--Spindle - Unloader	C		1			
	450670	--Spindle - Unloader (Note 1)	AB		1			
	450668	--Spindle - Unloader	C			1		
	450668	--Spindle - Unloader (Note 1)	AB			1		
	450669	--Spindle - Unloader	C				1	
	450669	--Spindle - Unloader (Note 1)	AB				1	
	450556	-Guide - Slide Valve	ABC	1	1	1	1	
	ATTACHING PARTS							
		450578	-Capscrew - Hex Hd., 3/8 - 16 x 1-1/2	ABC	4	4	4	4
	450601	-Plate - Locking ***	ABC	2	2	2	2	
-29 -30 -31 -32 -33 -34 -35 -36	450609	-Plug - Valve Guide Spindle	ABC	1	1	1	1	
	450558	-Gasket - Plug	ABC	1	1	1	1	
	450588	-Pin - Guide Spindle	ABC	1	1	1	1	
	450666	-Spindle - Valve Guide	ABC	1	1	1	1	
	450555	-Guide - Slide Valve	ABC	1	1	1	1	
	450572	-Lock Nut - Bearing Inner Race (SAE-N-17)	ABC	2	2	2	2	
	450713	-Lock Washer - Bearing Inner Race (SAE-W-17)	ABC	2	2	2	2	
	450571	-Locknut - Bearing Outer Race	ABC	2	2	2	2	

NOTE 1: CONSULT FACTORY - Part Number Varies with Application and Accessories.

SERVICE PARTS LIST
ROTARY SCREW COMPRESSOR UNITS

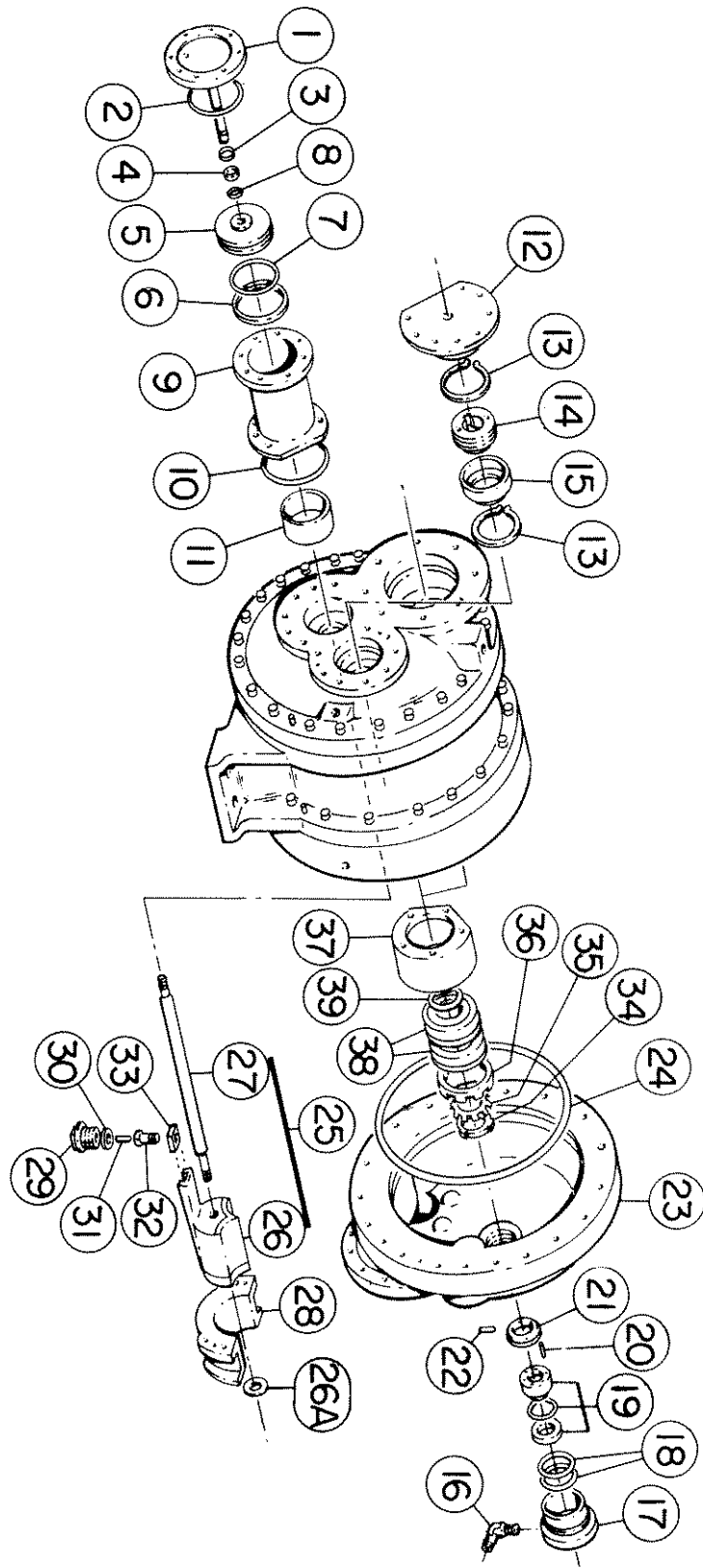
RWB 106, 126, 152, 167 COMPRESSORS

List & Index	Part Number	Nomenclature	Version Code	Qty Per Unit			
2B-	450577	ATTACHING PARTS -Capscrew - Hex Hd., 1/2	ABC	2	2	2	2
	450593	-Plate - Locking ***	ABC	2	2	2	2
-37	450652	-Sleeve - Male Rotor Bearings	ABC	1	1	1	1
	450653	-Sleeve - Female Rotor Bearings	ABC	1	1	1	1
	450581	ATTACHING PARTS -Capscrew - Hex Hd., 1/2 - 13 x 5-1/2	ABC	8	8	8	8
	450600	-Plate - Locking ***	ABC	4	4	4	4
-38	450535	-Bearing - Thrust (Pair)	ABC	2	2	2	2
-39	450645	-Shim - Thrust Bearing	ABC	2	2	2	2

NOTES

SERVICE PARTS LIST
ROTARY SCREW COMPRESSOR UNITS

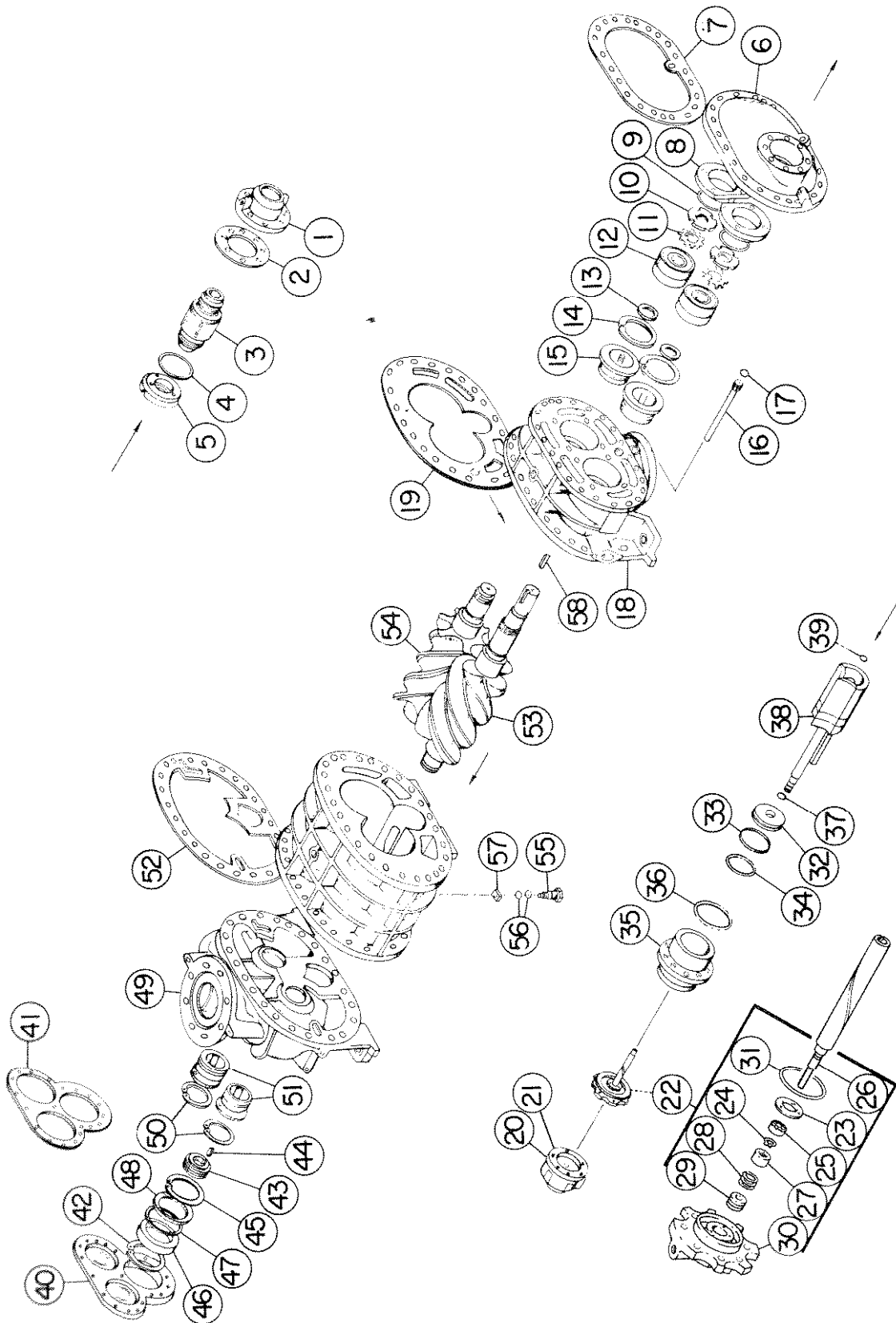
EXPLODED VIEW - RWB 28 thru 167 COMPRESSORS



ART APPLIES TO LIST 2, 2A, 2B

SERVICE PARTS LIST
ROTARY SCREW COMPRESSOR UNITS

EXPLODED VIEW - RWB 224 and 334 COMPRESSORS



THIS ART APPLIES TO LIST 2C

SERVICE PARTS LIST
ROTARY SCREW COMPRESSOR UNITS

RWB 224, 334, COMPRESSORS

List and Index	Stock Number	Nomenclature	Usage Code	Qty Per	
				Assy	Unit
2C-	008848	Compressor Assy - RWB 224			REF
	008849	Compressor Assy - RWB 334			REF
-1	450928	Casting - Seal Cover		1	1
		ATTACHING PARTS			
	450929	--Allen Screw ***		8	8
-2	450930	--Gasket - Seal Cover		1	1
-3	450931	--Seal Assy		1	1
-4	450932	--O-Ring - Seal Retainer		1	1
-5	450933	--Gland - Seal		1	1
-6	450934	--Casting - Bearing Cover		1	1
		ATTACHING PARTS			
	450935	--Allen Screw ***		20	20
-7	450936	--Gasket - Bearing Cover		1	1
-8	450936	--Gasket - Bearing Cover		1	1
-8	450937	--Gland - Thrust Bearing		2	2
		ATTACHING PARTS			
	450938	--Bolt - Gland		4	8
	450939	--Washer - Lock ***		4	8
-9	450940	--O-Ring - Thrust Bearing Gland		2	2
-10	450941	--Locknut		2	2
-11	450942	--Lockwasher		2	2
-12	450943	--Bearing Set - Thrust		2	2
-13	450944	--Washer - Bearing		2	2
-14	450945	--Ring - Snap		2	2
-15	450946	--Bearing - Main		2	2
-16	450947	--Pipe - Oil Injection		1	1
-17	450948	--O-Ring - Oil Injection		1	1
-18	450949	--Casting - Bearing Head		1	1
		ATTACHING PARTS			
	450950	--Allen Screw ***			
-19	450951	--Gasket - Bearing Head		1	1
-20	450952	--Cover - Unloader Indicator			
		ATTACHING PARTS			
	450953	--Allen Screw ***		3	3
-21	450954	--Baseplate - Micro Switch		1	1
		ATTACHING PARTS			
	450955	--Allen Screw ***		3	3
-22	450956	--Cover - Assy - Unloader Cylinder		1	1
		ATTACHING PARTS			
	450957	--Allen Screw ***		8	8
-23	450958	--Gland - Bearing		1	1
		ATTACHING PARTS			
	450959	--Allen Screw ***		3	3
-24	450960	--Ring - Snap		1	1
-25	450961	--Bearing - Ball		1	1
-26	450962	--Cam - Indicator		1	1
-27	450963	--Retainer - Spring		1	1
-28	450964	--Spring		1	1

SERVICE PARTS LIST
ROTARY SCREW COMPRESSOR UNITS

S70-113SPL
Page 23

RWB 224, 334 COMPRESSORS

List and Index	Stock Number	Nomenclature	Usage Code	Qty Per	
				Assy	Unit
2C-29	450965	---V-Ring - Teflon		1	1
-30	450966	---Cover - Unloader Cylinder		1	1
-31	450967	---O-Ring - Unloader Cover		1	1
-32	450968	--Piston - Unloader		1	1
		ATTACHING PARTS			
	450969	--Locknut		1	1
	450970	--Lockwasher		1	1

-33	450971	--Capseal - Teflon		1	1
-34	450972	--O-Ring - Unloader Piston		1	1
		--Cylinder - Unloader, RWB 224		1	1
-35	450973	--Cylinder - Unloader, RWB 334		1	1
		ATTACHING PARTS			
	450974	--Allen Screw		2	2
	450975	--Allen Screw		6	6

-36	450976	--O-Ring - Unloader Cylinder		1	1
-37	450977	--O-Ring - Slide Valve Shaft		1	1
-38	450978	--Slide Valve Assy - RWB 224		1	1
	450988	--Slide Valve Assy - RWB 334		1	1
-39	450979	--O-Ring - Injection Tube		1	1
-40	450980	--Casting - Blind Cover		1	1
		ATTACHING PARTS			
	450981	--Allen Screw		12	12

-41	450982	--Gasket - Blind Cover		1	1
-42	450983	--Snap Ring - Balance Piston		1	1
-43	450984	--Piston - Balance		1	1
-44	450985	--Key - Balance Piston		1	1
-45	450986	--Snap - Ring - Piston Sleeve		1	1
-46	450987	--Sleeve - Balance Piston		1	1
		ATTACHING PARTS			
	450959	--Allen Screw		1	1
	450989	--Set Screw		1	1

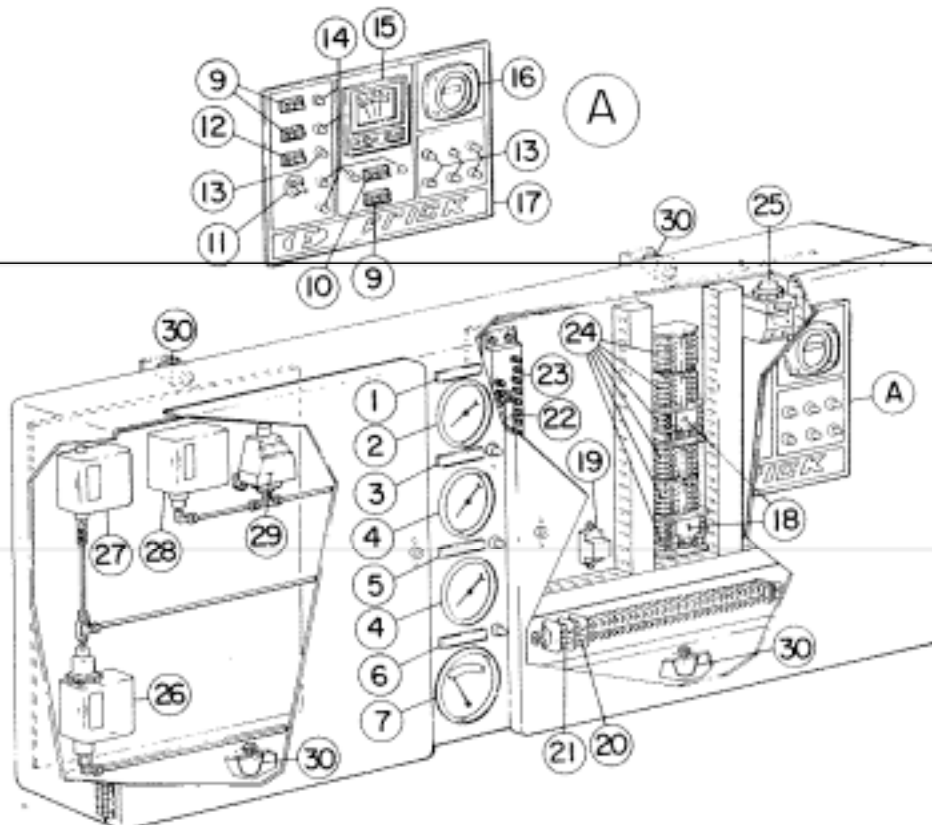
-47	450990	--O-Ring - Balance Sleeve		1	1
-48	450991	--Spacer		1	1
-49	450992	--Casting - Suction Cover		1	1
		ATTACHING PARTS			
	450950	--Allen Screw			

-50	450945	--Snap - Ring - Slide Bearing		2	2
-51	450995	--Bearing - Slide		2	2
-52	450996	--Gasket - Suction Cover		1	1
-53	450997	--Rotor - Male, RWB 224		1	1
	450993	--Rotor - Male, RWB 334		1	1
-54	450998	--Rotor - Female, RWB 224		1	1
	450994	--Rotor - Female, RWB 334		1	1
-55	450999	--Bolt - Guide		1	1
-56	451000	--O-Ring - Guide Bolt		2	2
-57	451001	--Block - Guide		1	1
-58	451002	--Key - Shaft		1	1

SERVICE PARTS LIST
ROTARY SCREW COMPRESSOR UNITS

CONTROL CENTER

List and Index	Stock Number	Part Number	Nomenclature	Usage Code	Qty Per	
					Assy	Unit
3-	048859	649E0059G01	Control Center Instl - RWB			REF
-1	831743		--Label - Suction Pressure		1	1
-2	390041	990A0010H01	--Gauge - 3-1/2" LP, -30 to 150 PSIG		1	1
-3	831744		--Label - Discharge Pressure		1	1
-4	390042	990A0010H02	--Gauge - 3-1/2" HP, -30 to 400 PSIG		2	2
-5	831745		--Label - Oil Pressure Bearing		1	1
-6	831746		--Label - Filter Pressure Drop		1	1
-7	390050		--Gauge - 3-1/2" Pressure, 0 to 25 PSIG		1	1
-8	006794	957A0003H01	--Valve - Angle, 1/4 MPT x 1/4 FPT SC		3	3
-9	450498		--Switch		3	3
-10	451213		--Switch		1	1
-11	450500		--Switch - 3 Position		1	1
-12	450791		--Switch		1	1
-13	451214		--Lamp - Red		7	7
-14	450503		--Lamp - Amber		6	6
-15	450789		--Meter - Relay		1	1
-16	993282		--Meter - Hour		1	1
-17	450788		--Panel - Instrument		1	1
	048849	649E0058G01	--Panel Assy - Elec/Mech			REF
-18	450497		--Attachment - Time Delay (mts on 450496)		2	2
-19	029640	550A0610H03	--Relay - Load Pac		1	1
-20	280777		--Fuse - 20 AMP		1	1
-21	280687		--Fuse - 10 AMP		1	1
-22	038138		--Resistor - 500 OHM		1	1
-23	450787		--Module - Temperature		1	1
-24	450496		--Relay		6	6
-25	009034		--Relay - Time		1	1
	048851	649D0339G01	--Panel Assy - Press/Temp			REF
-26	009009		--Control - OPCO		1	1
-27	006956	913A0029H04	--Control - HPCO		1	1
-28	450467		--Control - LPCO		1	1
-29	450495		--Control		1	1
-30	450361		--Isolators - Vibration		4	4

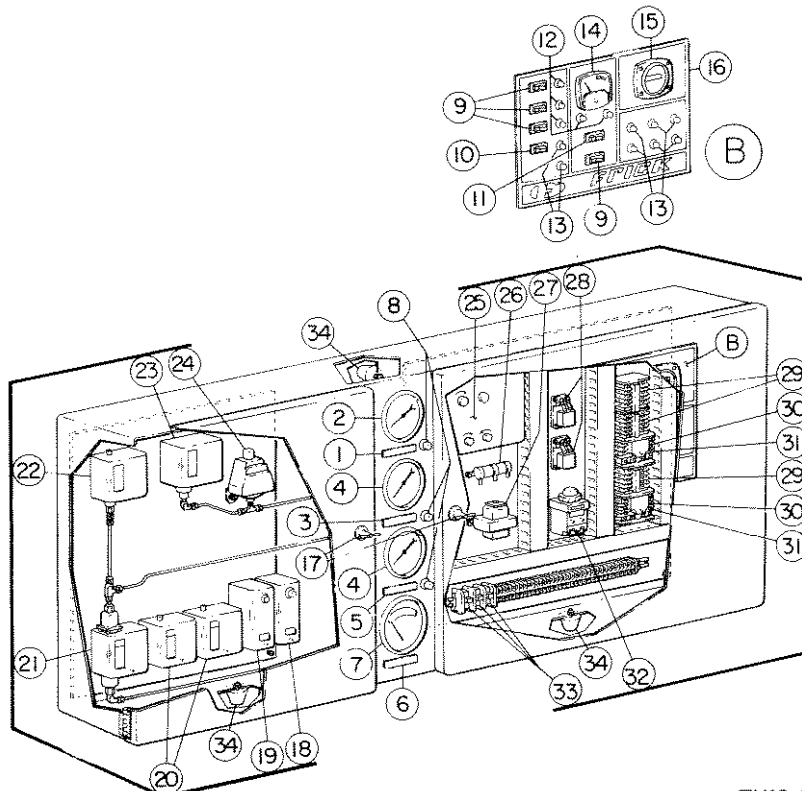


THIS ART APPLIES TO LIST 3

**SERVICE PARTS LIST
ROTARY SCREW COMPRESSOR UNITS**

CONTROL CENTER

List and Index	Stock Number	Part Number	Nomenclature	Usage Code	Qty Per	
					Assy	Unit
3A-	048193	649E0041G01	Control Center Instl - RWB			REF
-1	831743		--Label - Suction Pressure		1	1
-2	390041	990A0010H01	--Gauge - 3-1/2 LP, -30 to 150 Lbs.		1	1
-3	831744		--Label - Discharge Pressure		1	1
-4	390042	990A0010H02	--Gauge - 3-1/2 HP, -30 to 400 Lbs.		2	2
-5	831745		--Label - Oil Pressure Bearing		1	1
-6	831746		--Label - Filter Pressure Drop		1	1
-7	390050		--Gauge - 3-1/2 Press, 0 to 25 Lbs.		1	1
-8	008794	957A0003H01	--Valve - Angle, 1/4 MPT x 1/4 FPT, SC		3	3
-9	451213		--Switch		4	4
-10	451214		--Switch		1	1
-11	450500		--Switch		1	1
-12	450502		--Lamp - Amber		5	5
-13	450503		--Lamp - Red		8	8
-14	450337		--Meter - Percent-Motor Load		1	1
-15	993282		--Meter - Hour,		1	1
-16	450494	649D0250H01	--Panel - Instrument		1	1
-17	280710		--Handle - T-Latch		2	2
	048187	649D0252G01	--Panel Assy - Pressure / Temperature		1	REF
-18	009579	913A0012H01	--Control - Temperature		1	1
-19	009012		--Control - Temperature		1	1
-20	009080	913A0010H08	--Control - Temperature		2	2
-21	009009		--Control - Press. Diff		1	1
-22	008956	913A0029H04	--Control - Press. Diff		1	1
-23	008952	913A0029H03	--Control - Press. Diff		1	1
-24	450495		--Control - Pressure		1	1
-25	450376		--Control - Temp & Current		1	1
-26	450061		--Resistor - Adjustable, 1.0 OHM 25 Watt		1	1
-27	450366		--Transformer		1	1
-28	450498		--Relay - 24 Vac		2	2
-29	009023		--Relay		3	3
-30	450497		--Attachment - Time Delay (mts on 450496)		2	2
-31	450496		--Relay		2	2
-32	009034		--Relay - Time		1	1
-33	280687		--Fuse -		3	3
-34	450361		--Isolator - Vibration		3	3



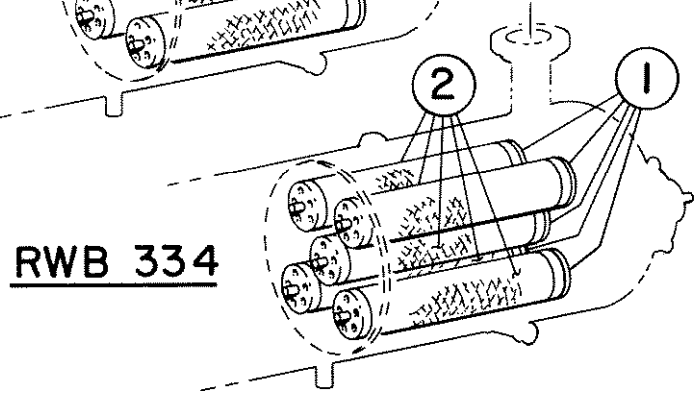
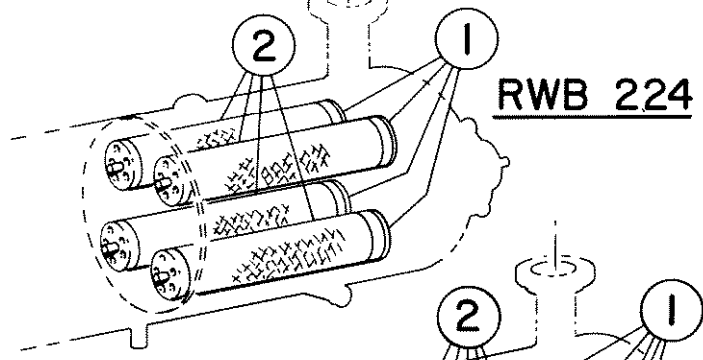
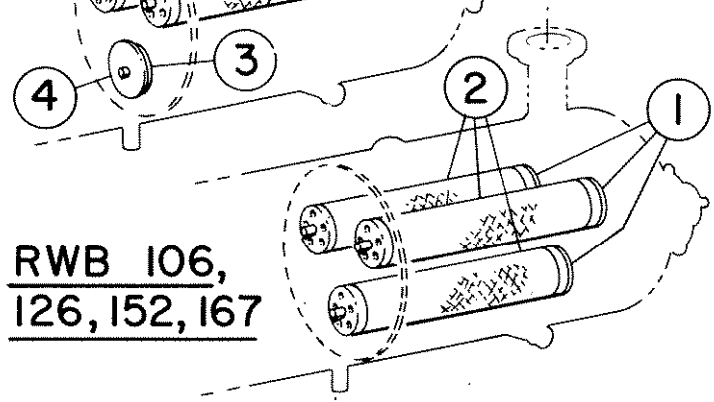
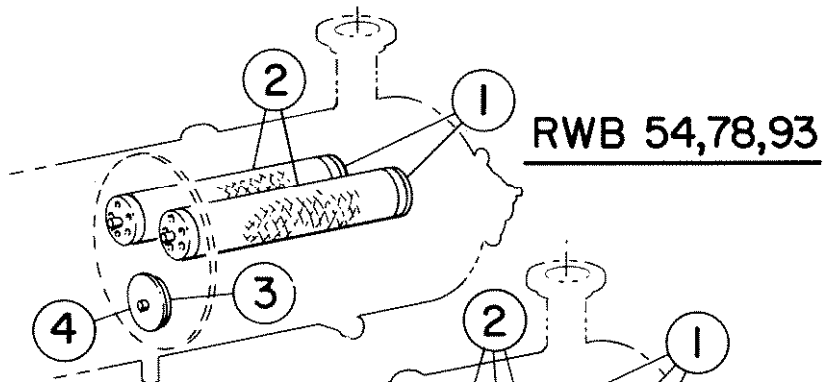
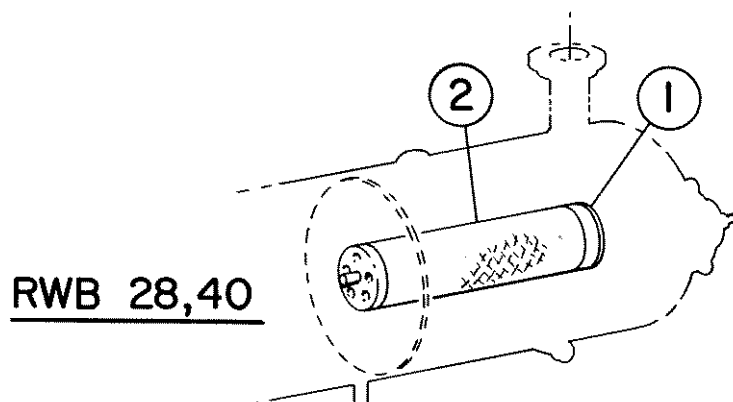
THIS ART APPLIES TO LIST 3A

SERVICE PARTS LIST
ROTARY SCREW COMPRESSOR UNITS

SEPARATOR FILTER

List and Index	Stock Number	Part Number	Nomenclature	Usage Code	Qty Per	
					Assy	Unit
4- -1	048222	531B0018G01	Filter Instl - Separator, RWB 28 4D			REF
	048220	540D0217G02	-Retainer - Filter		1	1
			ATTACHING PARTS			
	540074	902A0002H05	-Nut - Hex., 1/2" NC		1	1
	940051		-Washer - Flat, 1/2"		1	1
	048217	540D0217H06	-Washer - Seal		1	1
	048221	540D0217G03	-Stud Assy - 1/2" NC x 37" ***		1	1
-2	450471	531B0019H01	-Element - Filter		1	1
-1	048191	531B0015G02	Filter Instl - Separator, RWB, 54, 78, 93			REF
	048220	540D0217G02	-Retainer - Filter		2	2
			ATTACHING PARTS			
	540074	902A0002H05	-Nut - Hex., 1/2" Nc		1	2
	940051		-Washer - Flat, 1/2"		1	2
	048217	540D0217H06	-Washer - Seal		1	2
	048221	540D0217G03	-Stud Assy - 1/2" NC x 37" ***		1	2
-2	450471	531B0019H01	-Element - Filter		2	2
-3	048220	540D0217G01	-Cover Plate - Buckhead		1	1
			ATTACHING PARTS			
	110234		-Capscrew - SQ HD 1/2" NC x 1-1/4"		1	1
	940051		-Washer - Flat, 1/2"		1	1
	048217	540D0217H06	-Washer - Seal ***		1	1
-4	048215	540D0217H04	-Gasket - Coverplate		1	1
-1	048192	531B0015G03	Filter Instl - Separator, RWB 106, 126, 152, 167			REF
	048220	540D0217G02	-Retainer - Filter		3	3
			ATTACHING PARTS			
	540074	902A0002H05	-Nut - Hex., 1/2" NC		1	3
	940051		-Washer - Flat, 1/2"		1	3
	048217	540D0217H06	-Washer - Seal		1	3
	048221	540D0217H03	-Stud Assy - 1/2" NC x 37" ***		1	3
-2	450471	531B0019H01	-Element - Filter		3	3
-1	048813	531B0015G05	Filter Instl - Separator, RWB 224			REF
	048220	540D0217G02	-Retainer - Filter		4	4
			ATTACHING PARTS			
	540074	902A0002H05	-Nut - Hex., 1/2" NC		1	4
	940051		-Washer - Flat, 1/2"		1	4
	048217	540D0217H06	-Washer - Seal		1	4
	048221	540D0217G03	-Stud Assy - 1/2" NC x 37" ***		1	4
-2	450471	531B0019H01	-Element - Filter		4	4
-1	048498	531B0015G04	Filter Instl - Separator, RWB 334			REF
	048220	540D0217G02	-Retainer - Filter		5	5
			ATTACHING PARTS			
	540074	902A0002H05	-Nut - Hex., 1/2" NC		1	5
	940051		-Washer - Flat, 1/2"		1	5
	048217	540D0217H06	-Washer - Seal		1	5
	048221	540D0217G03	-Stud Assy - 1/2" NC x 37" ***		1	5
-2	450471	531B0019H01	-Element - Filter		5	5

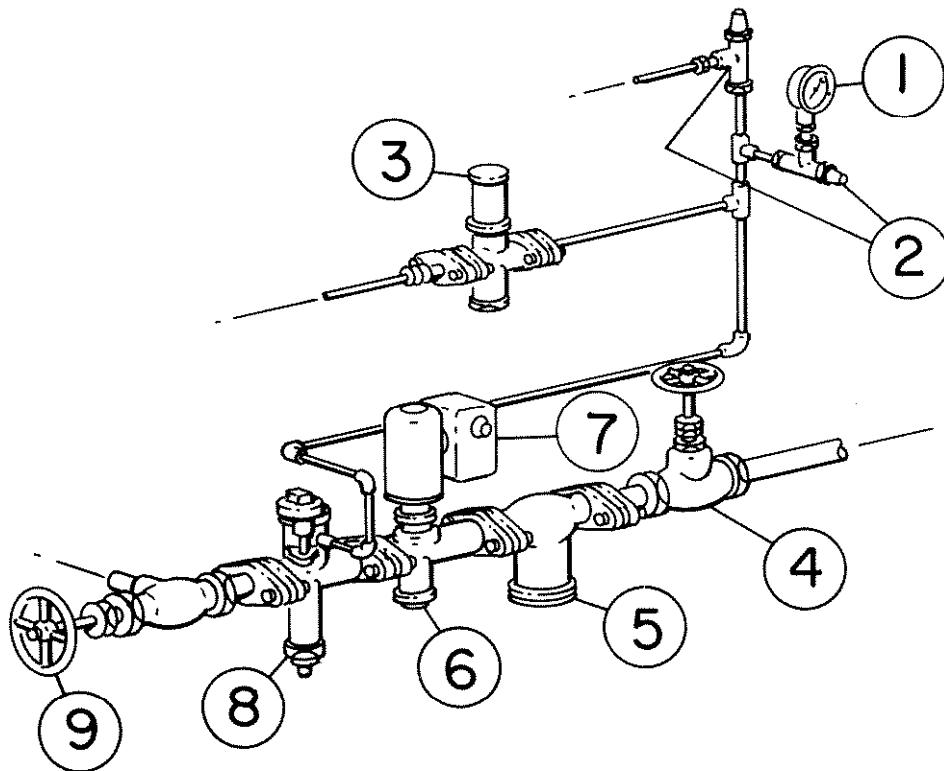
EXPLODED VIEW - SEPARATOR FILTER



SERVICE PARTS LIST
ROTARY SCREW COMPRESSOR UNITS

LIQUID INJECTION

List and Index	Stock Number	Part Number	Nomenclature	Usage Code	Qty Per	
					Assy	Unit
5-	048348	531C0079G01	Liquid Injection Instl - 35 Ton, RWB 28 thru 126			REF
	048349	531C0079G02	Liquid Injection Instl - 50 Ton, RWB 40 thru 334			REF
	048350	531C0079G03	Liquid Injection Instl - 75 Ton RWB 106 thru 334			REF
	048351	531C0079G04	Liquid Injection Instl - 100 Ton, RWB 126 thru 334			REF
-1	390044	990A0011H01	-Gauge - 3-1/2 LP, 30" Vac to 150 PSIG		1	1
-2	008794	951A0003H01	-Valve - Angle, 1/4 Mpt x 1/4 PFT, SC		2	2
-3	450484	954A0008H01	-Valve - Regulating, 3/8		1	1
-4	010581	131R-10054	-Valve - Globe, 3/4 (35 - 75 Ton)		1	1
	010590	141R-10344	-Valve - Globe, 1", (100 Ton)		1	1
-5	450493		-Strainer - Line, 3/4		1	1
-6	450509		-Valve - Solenoid, 3/4 W/O Strainer		1	1
-7	009012		-Control - Temperature		1	1
-8	450472		-Valve - Thermal Expansion, 35 Ton		1	1
	450473		-Valve - Thermal Expansion, 50 Ton		1	1
-9	450474		-Valve - Thermal Expansion, 75 Ton		1	1
	450475		-Valve - Thermal Expansion, 100 Ton		1	1
	010578	130R-10054	-Valve - Angle, 3/4 (35 to 75 Ton)		1	1
	010737	140R-10344	-Valve - Angle, 3/4 (100 Ton)		1	1

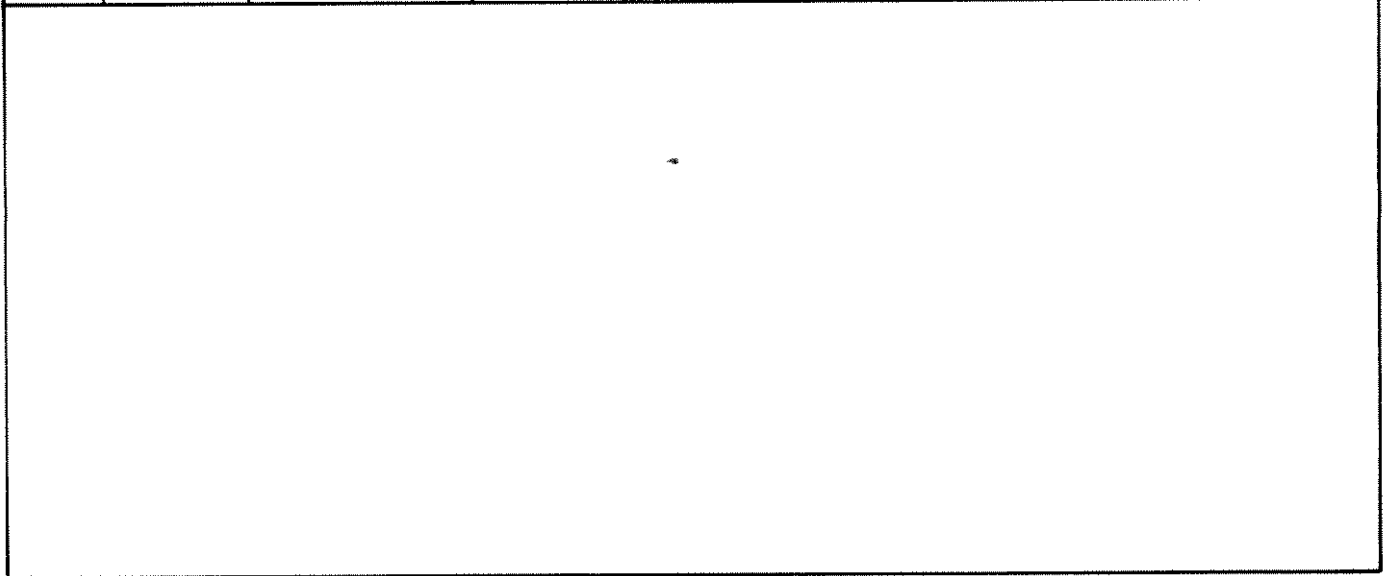


ART APPLIES TO LIST 5

SERVICE PARTS LIST
 ROTARY SCREW COMPRESSOR UNITS

BOOSTER VALVE

List and Index	Stock Number	Part Number	Nomenclature	Usage Code	Qty Per	
					Assy	Unit
6-	048230	531C0016G01	Valve Kit - Booster, RWB 28, 40			REF
	048231	531C0017G01	Valve Kit - Booster, RWB 54-93			REF
	048232	531C0018G01	Valve Kit - Booster, RWB 106-167			REF
-1	008794	957A0003H01	--Valve - Angle, 1/4" MPT x 1/4 FPT, S.C.		2	2
-2	008887	951A0019H01	--Valve - Solenoid		2	2
-3	068204	951A0021H01	---Coil - Solenoid Valve 50/60, 110V		1	2



SERVICE PARTS LIST
ROTARY SCREW COMPRESSOR UNITS

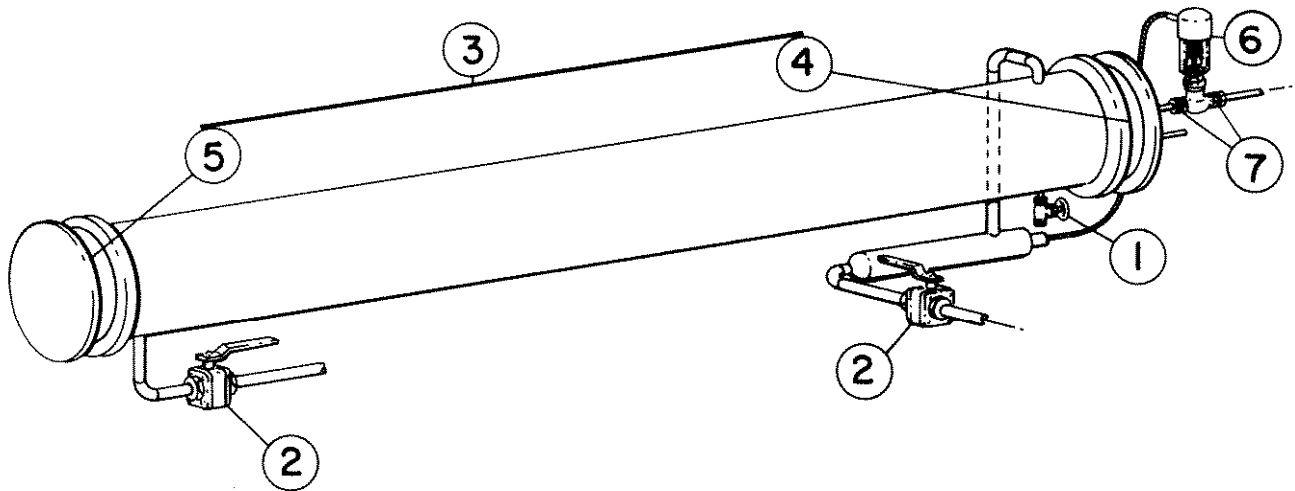
WATER COOLED OIL COOLER

List and Index	Stock Number	Part Number	Nomenclature	Usage Code	Qty Per	
					Assy	Unit
7-		No Number	Water Cooled Oil Cooler Instl - RWB 28, 40			REF
	048420	531M0033G03	--Oil Cooler Kit - RWB 28, 40		1	1
	048419	531M0033G02	--Oil Cooler Kit - RWB 28, 40		1	1
	048418	531M0033G01	--Oil Cooler Kit - RWB 40		1	1
-1	010161	121R-10023	---Valve - Globe, 1/2" FPT		1	1
-2	450178	957A0002H15	---Valve - Ball, 1-1/2" FPT		1	1
-3	048416	547C0011G01	---Cooler - Oil, 10" x 72" (RWB 28,40)		1	1
	048415	547C0010G01	---Cooler - Oil, 10" x 96" (RWB 28, 40)		1	1
	048414	547C0009G01	---Cooler - Oil, 10" x 120" (RWB 40)		1	1
-4	046389	540C0608H01	---Gasket - Front Head		1	1
-5	046390	540C0608H02	---Gasket - Rear Head		1	1
	048010	531M0027G01	--Water Regulating Valve Kit - RWB 28,40		1	1
-6	450179		---Valve - 1" Water, 2-Way, FLG		1	1
-7	048105	959A0005H03	---Gasket - Water Valve Flange		2	2
<hr/>						
		No Number	Water Cooled Oil Cooler Instl - RWB 54, 78			REF
	048420	531M0033G03	--Oil Cooler Kit - RWB 54		1	1
	048419	531M0033G02	--Oil Cooled Kit - RWB 54, 78		1	1
	048420	531M0033G01	--Oil Cooler Kit - RWB 54, 78		1	1
-1	010161	121R-10023	---Valve - Globe, 1/2" FPT		1	1
-2	450178	951A0002H15	---Valve - Ball, 1-1/2" FPT		1	1
-3	048416	547C0011G01	---Cooler - Oil, 10" x 72" (RWB 54)		1	1
	048415	547C0010G01	---Cooler - Oil, 10" x 96" (RWB 54, 78)		1	1
	048414	547C0009G01	---Cooler - Oil, 10" x 120" (RWB 54, 78)		1	1
-4	046389	540C0608H01	---Gasket - Front Head		1	1
-5	046390	540C0608H02	---Gasket - Rear		1	1
	048011	531M0027G02	--Water Regulating Valve Kit - RWB 54, 78		1	1
-6	450180		---Valve - 1-1/4" Water, 2 Way, FLG.		1	1
-7	048016	959A0005H04	---Gasket - Water Valve Flange		2	2
<hr/>						
		No Number	Water Cooled Oil Cooler Instl - RWB 93, 106, 126			REF
	048419	531M0033G02	--Oil Cooler Kit - RWB 93, 106, 126		1	1
	048418	531M0033G01	--Oil Cooler Kit - RWB 93, 106, 126		1	1
	048421	531M0033G04	--Oil Cooler Kit - RWB 93, 106, 126		1	1
-1	010161	121R-10023	---Valve - Globe, 1/2" FPT		1	1
-2	450178	957A0002H15	---Valve - Ball, 1-1/2" FPT		1	1
-3	048415	547C001DG01	---Cooler - Oil, 10" x 96"		1	1
	048414	547C0009G01	---Cooler - Oil 10" x 120"		1	1
	048438	547C0012G01	---Cooler - Oil, 12" x 120"		1	1
-4	046389	540C0608H01	---Gasket - Front Head, 10"		1	1
	046399	540C0608H03	---Gasket - Front Head, 12"		1	1
-5	046390	540C0608H02	---Gasket - Rear Head, 10"		1	1
	046401	540C0608H04	---Gasket - Rear Head, 12"		1	1
	048012	531M0027G03	--Water Regulating Valve Kit - RWB 93, 106, 126		1	1
-6	450181		---Valve - 2" Water, 2-Way, FLG		1	1
-7	047068	959A0005H06	---Gasket - Water Valve Flange		2	2
<hr/>						
		No Number	Water Cooled Oil Cooler Instl - RWB 152, 167			REF
	048418	531M0033G01	--Oil Cooler Kit - RWB 152, 167		1	1
	048422	531M0033G05	--Oil Cooler Kit - RWB 152, 167		1	1
	048423	531M0033G06	--Oil Cooler Kit - RWB 167		1	1
-1	010161	121R-10023	---Valve - Globe, 1/2" FPT		1	1
-2	450178	9570002H15	---Valve - Ball, 1-1/2" FPT (048418)		1	1
	009093	957R0002H16	---Valve - Ball, 2" FPT (048422, 048423)		1	1
-3	048414	547C0008G01	---Cooler - Oil, 10" x 120"		1	1
	048438	547C00012G01	---Cooler - Oil, 12" x 120"		1	1
	048439	547C00013G01	---Cooler - Oil, 16" x 120"		1	1
-4	046389	540C0608H01	---Gasket - Front Head, 10"		1	1
	046399	540C0608H03	---Gasket - Front Head, 12"		1	1
	046410	540C0608H05	---Gasket - Front Head, 16"		1	1
-5	046390	540C0608H02	---Gasket - Rear Head, 10"		1	1
	046401	540C068H04	---Gasket - Rear Head, 12"		1	1
	046411	540C068H06	---Gasket - Rear Head, 16"		1	1
	048013	531M0027G04	--Water Regulating Valve Kit - RWB 152, 167		1	1
-6	450182		---Valve - 2-1/2" Water, 2 Way		1	1
-7	047069	959A0005H07	---Gasket - Valve Flange		2	2

**SERVICE PARTS LIST
ROTARY SCREW COMPRESSOR UNITS**

WATER COOLED OIL COOLER

List and Index	Stock Number	Part Number	Nomenclature	Usage Code	Qty Per	
					Assy	Unit
7-		No Number	Water Cooled Oil Cooler Instl - RWB 224, 334			REF
	048422	531M0033G05	—Oil Cooler Kit		1	1
	048423	531M0033G06	—Oil Cooler Kit		1	1
	048471	531M0033G07	—Oil Cooler Kit		1	1
-1	010161	121R-10023	—Valve - Globe, 1/2" FPT		1	1
-2	009093	957A0002H16	—Valve - Ball, 2" FPT		1	1
-3	048438	547C0012G01	—Cooler - Oil, 12" x 120" (048422)		1	1
	048439	547C0013G01	—Cooler - Oil 16" x 120" (048423)		1	1
	048548	547C0029G01	—Cooler - Oil, 16" x 144" (048471)		1	1
-4	046399	540C0608H03	—Gasket - Front Head, 12"		1	1
	046410	540C0608H05	—Gasket - Front Head, 16"		1	1
	046401	540C0608H04	—Gasket - Rear Head, 12"		1	1
	046411	540C0608H06	—Gasket - Rear Head, 16"		1	1
	048014	531M0027G05	—Water Regulating Valve Kit RWB 224, 334		1	1
-6	450456		—Valve - 3" Water, 2 Way		1	1
-7	047070	959A0005H08	—Gasket - Valve Flange		2	2

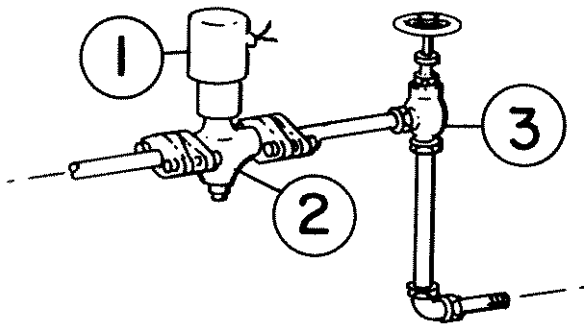


THIS ART APPLIES TO LIST 7

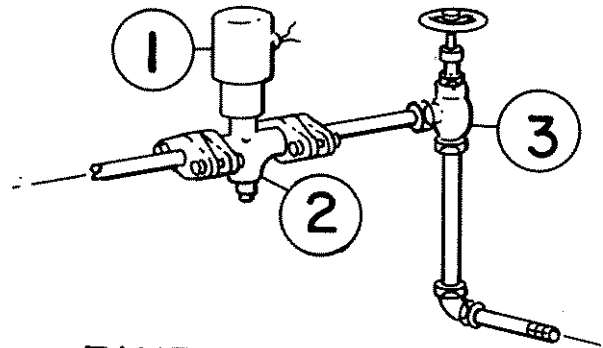
SERVICE PARTS LIST
ROTARY SCREW COMPRESSOR UNITS

UNLOAD STARTING BY PASS

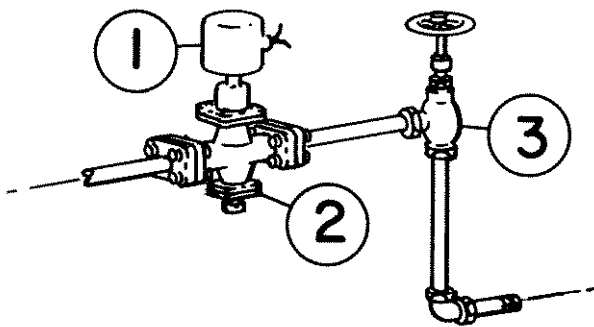
List and Index	Stock Number	Part Number	Nomenclature	Usage Code	Qty Per	
					Assy	Unit
8-	048476	No Number	Unload Starting Bypass Instl - RWB			REF
-1	068223	531D0082G01	-Bypass Assy - Unload Start, RWB 28, 40		1	1
-2	009809	951A0009H01	---Coil - Solenoid Valve, 3/60/115		1	1
-3	010578	951A0007H07	---Valve - Solenoid, 3/4 FPT - 3/4 Port		1	1
		130R-10054	---Valve - Angle, 3/4 FPT		1	1
<hr/>						
-1	048477	531D0082G02	-Bypass Assy - Unload Start, RWB 54, 78, 93		1	1
-2	068223	951A0009H01	---Coil - Solenoid Valve, 3/60/115		1	1
-3	009810	951A0008H07	---Valve - Solenoid, 1 FPT - 1 Port		1	1
	010737	140R-10344	---Valve - Angle, 1 FPT		1	1
<hr/>						
-1	048478	531D0082G03	-Bypass Assy - Unload Start, RWB 106, 126, 152, 167		1	1
-2	068223	951A0009H01	---Coil - Solenoid Valve, 3/60/115		1	1
-3	450782	951A0022H07	---Valve - Solenoid, 1-1/2 FPT - 1-5/8 Port		1	1
	010354	460R-10384	---Valve - Angle, 1-1/2 FPT		1	1
<hr/>						
-1	048499	531D0082G04	-Bypass Assy - Unload Start, RWB 224, 334		1	1
-2	068223	951A0009H01	---Coil - Solenoid Valve, 3/60/115		1	1
-3	009807	951A0004H07	---Valve - Solenoid, 2 FPT - 2 Port		1	1
	013623	580D0020G02	---Valve - Angle, 2 FPT		1	1



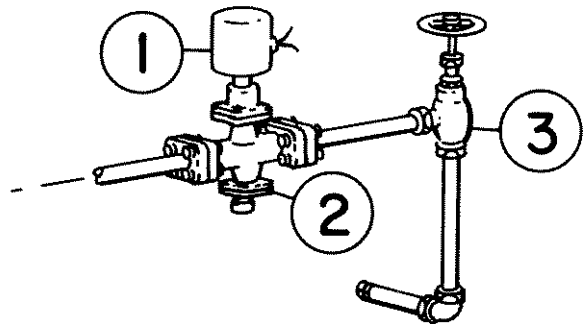
RWB 28, 40



RWB 54, 78, 93



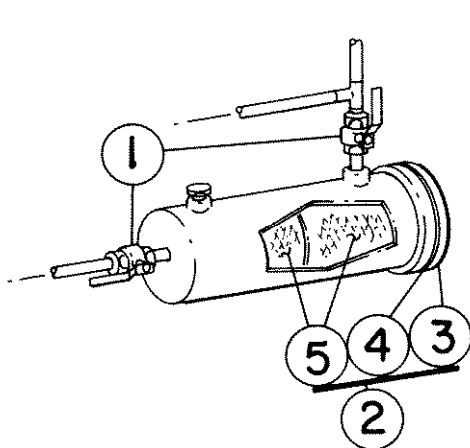
RWB 106, 126, 152, 167



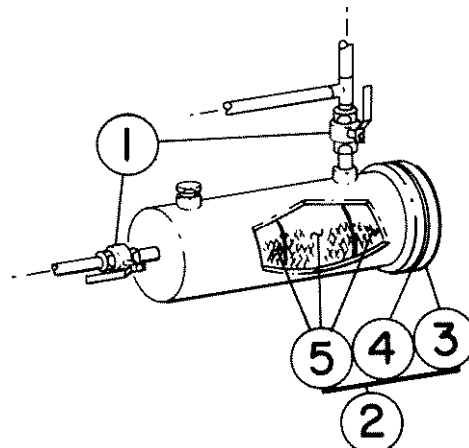
RWB 224, 334

DUAL OIL FILTER

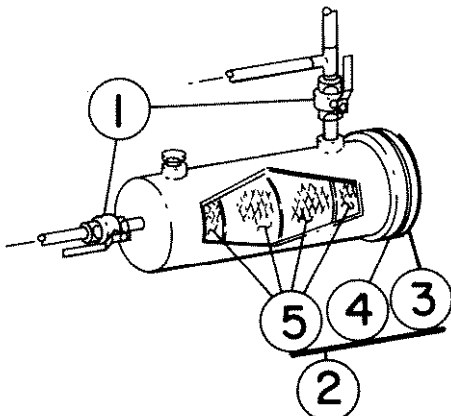
List and Index	Stock Number	Part Number	Nomenclature	Usage	Qty Per	
					Assy	Unit
9-	048386	531C0089	Dual Oil Filter Instl - RWB			RWB
-1	450178	531C0089G01	--Oil Filter Kit - Dual, RWB 28, 40		1	1
-2	048363	957A0002H15	---Valve - Ball, 1-1/2 FPT		2	2
-3	046244	531C0092G01	---Filter Assy - Oil, 2 Filter		1	1
-4	046203	531A0026H01	----Cover - Oil Filter		1	1
-5	450466	531A0020H01	----Gasket - Filter Cover		1	1
			----Filter - Oil, 10 Micron		2	2
<hr/>						
-1	048387	531C0089G02	--Oil Filter Kit - Dual, RWB 54, 78, 93		1	1
-2	450178	957A0002H15	---Valve - Ball, 1-1/2 FPT		2	2
-3	048310	531C0051G01	---Filter Assy - Oil, 3 Filter		1	1
-4	046244	531A0026H01	----Cover - Oil Filter		1	1
-5	450466	531A0020h01	----Gasket - Filter Cover		1	1
			----Filter - Oil, 10 Micron		3	3
<hr/>						
-1	048388	531C0089G02	--Oil Filter Kit - Dual, RWB 106, 126, 152, 167		1	1
-2	009093	957A0002H16	---Valve - Ball, 2 FPT		2	2
-3	048283	531C0073G01	---Filter Assy - Oil, 4 Filter		1	1
-4	046244	531A0026H01	----Cover - Oil Filter		1	1
-5	450466	531A0020H01	----Gasket - Filter Cover		1	1
			----Filter - Oil, 10 Micron		4	4



RWB 28, 40



RWB 54, 78, 93



RWB 106, 126, 152, 167

SERVICE PARTS LIST
 ROTARY SCREW COMPRESSOR UNITS

S70-113 SPL
 Page 35

NUMERICAL SECTION

STOCK NUMBER	PART NUMBER	LIST-INDEX	STOCK NUMBER	PART NUMBER	LIST-INDEX	STOCK NUMBER	PART NUMBER	LIST-INDEX
048217	540D0217H06	4-1	048753	956A0009H09	1-6	450334		2B-3
048219	540D0217G01	4-3	048754	956A0010H03	1-36	450337		3A-14
048220	540D0217G02	4-1	048755	956A0010H06	1B-36	450350		2-18
048221	540D0217G03	4-1	048756	956A0010H07	1C-29	450351		2A-18
048226	548D0012G01	1-47			1D-29	450352		2B-18
048233	531B0016H01	1-25	048813	531B0015G05	1C-43	450361		3-30
048234	531B0016H02	1A-25	048814	531B0033H01	1C-48			3A-34
048235	531B0016H03	1B-25	048819	531C0097G02	1C-16	450366		3A-27
048277	959A0005H30	1A-33	048827	531C0117G01	1C-49	450376		3A-25
048280	531C0072G01	1B-32	048844	548D0033G01	1C-44	450456		7-6
048283	531C0073G01	1B-37	048859	649E0059G01	1-15	450457	531B0004H04	1C-10
		9-2			1A-1			1D-10
048296	531D0054G01	1B-20			1B-15	450458	954A0007H01	1-31
048297	548D0011G01	1B-47			1C-30			1A-31
048298	531C0046C01	1B-54			1D-30			1B-31
048299	531B0014H01	1B-54	049023	531A0105H02	1C-47			1C-39
048300	531C0065H01	1B-35			1D-47			1D-39
048301	531C0078H01	1B-17	049069		1-46	450466		1-40
048302	959A0005H32	1B-33			1A-46			1A-40
048306	531C0049H01	1A-17			1B-46			1B-40
048307	531C0050H01	1A-35			1C-31			1C-36
048310	531C0051G01	1A-37			1D-31			1D-36
		9-2	049479		1-46			9-5
048314	548B0002G01	1A-32			1A-46	450467		3-28
048316	531D0046G01	1A-20			1B-46	450469	956A0006H02	1-36
048317	531B0010H01	1A-53	055336	531C0044C01	1A-54	450470	956A0006H04	1B-36
048346	548D0008G01	1A-47	068204	951A0021H01	1-27	450471	531B0019H01	4-2
048354	531B0017G01	1-32			1A-27	450472		5-8
048356	531D0055G01	1-20			1B-27	450473		5-8
048363	531C0092G01	1-37			1C-24	450474		5-8
		9-2			1D-24	450475		5-8
048365	531B0020H01	1-53	068223	951A0009H01	1C-25	450484	954A0008H02	5-3
048366	531C0045C01	1-54			8-1	450487		1-2
048384	531C0074H01	1-17	110234		4-3	450488		1-2
048385	531C0075H01	1-35	280687		3-21	450489		1-2
048386	531C0089G01	9-35			3A-33			1A-2
048387	531C0089G02	9-35	280710		3A-17	450490		1-2
048388	531C0089G03	9-35	280777		3-20			1A-2
048414	547C0008G01	7-3	390041	990A0010H01	3-2	450491		1A-2
048415	547C0010G01	7-3			3A-2			1A-2
048416	547C0011G01	7-3	390042	990A0010H02	3-4	450492		1A-2
048418	531M0033G01	7-3			3A-4			1B-2
048419	531M0033G02	7-3	390044	990A0011H01	5-1	450493		5-5
048420	531M0033G03	7-3	390050		3-7	450494	649D0250H01	3A-16
048421	531M0033G04	7-3			3A-7	450496		3-29
048422	531M0033G05	7-3	450001	531D0007G01	1-10			3A-24
048423	531M0033G06	7-3	450009	531D0019G04	1B-10	450496		3-24
048438	547C0012G01	7-3	450017		1B-2			3A-31
048439	547C0013G01	7-3			1C-17	450497		3-16
048471	531M0033G07	7-3	450061		3A-26			3A-30
048476	531D0082G01	8-3	450178	957A0002H15	1-42	450498		3A-28
048477	531D0082G02	8-3			1A-42			
048478	531D0082G03	8-3			7-2			
048498	531B0015G04	1D-43			9-1	450500		3-10
048499	531D0082G04	8-43	450179		7-6			3A-11
048541	531C0095G01	1D-49	450180		7-6			
048548	547C0029G01	7-3	450181		7-6			
048555	531C0096H01	1C-28	450182		7-6	450502		3-14
		1D-28	450262	531B0004H01				3A-12
048559	531C0097G01	1D-16	450263	531B0004H02	1A-23	450503		3A-13
048564	548D0017G01	1D-44	450264	531B0004H03	1B-23	450504		3-13
048575	959A0005H23	1C-27	450325		2-6	450506		1B-52
		1D-27	450326		2A-6	450507		1-41
048733	531C0105G01	1A-1	450327		2B-6			1A-41
048734	531C0105G02	1A-1	450328		2B-7			1B-41
048735	531C0105G03	1A-1	450329		2-7			1C-42
048745	531C0196G01	1B-1	450330		2A-7			1D-42
048746	531C0106G02	1B-1	450331		2-4	450508		1-52
048747	531C0106G03	1B-1			2A-4			1A-52
048748	531C0106G04	1B-1	450332		2B-4	450509		5-6
048749	531C0108H01	1-17	450333		2-3	450511	960A0026H01	1-11
048751	531C0110H01	1B-17			2A-3			1A-11

SERVICE PARTS LIST
ROTARY SCREW COMPRESSOR UNITS

S70-113 SPL
Page 36

NUMERICAL SECTION

STOCK NUMBER	PART NUMBER	LIST-INDEX	STOCK NUMBER	PART NUMBER	LIST-INDEX	STOCK NUMBER	PART NUMBER	LIST-INDEX
450513	960A0026H03	1A-11			2A-26	450628		2-2
		1B-11	450577		2-36			2A-2
		1C-20			2A-36	450629		2A-13
450515	960A0026H05	1B-11			2B-36	450630		2A-10
		1C-20	450578		2-28	450631		2-14
450523		1C-20			2-36	450632		2A-14
		1D-20			2B-28	450633		2-21
450524		1D-17	450579		2-37	450634		2-4
450529		1A-2	450580		2A-37			2A-4
450530		1A-2	450581		2B-37			2B-4
		1B-2	450582		2-17	450635		2-3
450531		2A-1			2A-17			2A-3
450532	2A-1	2A-1			2B-17			2B-3
450533	2-38	2-38	450583		2-12	450636		2-8
450534	2A-38	2A-38			2A-12			2A-8
450535		2B-38			2B-12			2B-8
450536	2	2-23	450584		3-23	450637		2-5
450537	2-23	2-23			2A-23			2-26
450538	2-23	2-23			2B-12			2A-5
450539	2-	2-12	450585		2B-23			2A-26
450540		2-12	450586		2B-23			2B-5
450541		2B-23	450587		2B-1			2B-5
450542		2B-23	450588		2-31	450638		2-9
450543		2B-12			2A-31	450639		2-1
450544		2B-12			2B-31			2A-1
450545		2A-23	450589		2-22	450640		2A-9
450546		2A-12			2A-22	450644		2-39
450547		2-9			2B-22	450645		2B-39
450548		2B-9	450590		2-20	450646		2A-39
450549		2A-9			2A-20	450647		2-26A
450550		2A-9			2B-20			2A-26A
450551		2-16	450591		2-1			2B-26A
		2A-16	450592		2-1	450648		2-26A
		2B-16	450593		2B-36			2A-26A
450552		2-16	450594		2-28			2B-26A
		2A-16	450595		2-37	450649		2-37
		2B-16	450596		2-37	450650		2-37
450553		2-28	450597		2A-28	450651		2-15
450554		2-28	450598		2A-37	450652		2B-37
450555		2-33	450599		2A-37	450653		2B-37
		2A-17	450600		2B-37	450654		2B-15
		2A-33	450601		2B-28	450655		2A-37
450556		2B-28	450602		2B-1	450656		2A-37
450557		2A-28	450603		2B-1	450657		2A-15
450558		2-30	450604		2A-36	450658		2-15
		2A-30	450605		3-1	450659		2-11
		2B-30			3A-1	450660		2B-11
450559		2B-24	450606		2A-1	450661		2B-11
450560		2A-29	450607		2-36	450662		2B-11
450561		2B-24	450608		2-36	450663		2A-11
450562		2-24	450609		2-29	450664		2-17
450563		2A-17			2A-29	450665		2-27
450564		2-17			2B-29	450666		2-32
450565		2B-17	450610		2-5			2A-32
450566		2A-17	450611		2-5			2B-32
450567		2-17	450612		2-14	450667		2B-27
450568		2-17	450613		2B-5	450668		2B-27
		2B-17	450614		2B-14	450669		2B-27
450569		2-14	450615		2A-5	450670		2B-27
		2A-14	450616		2A-14	450671		2A-27
		2B-14	450617		2A-21	450672		2A-27
450570		2-36	450618		2-21	450673		2A-27
450571		2B-36	450619		2B-21	450674		2-26
		1C-38	450620		2B-5	450675		2-26
		2D-38			2B-26	450676		2-26
450572		2B-34	450621		2B-14	450677		2-26
450573		2A-34	450622		2B-10	450678		
450574		2-34	450623		2B-13	450629		2B-26
450575		2A-36	450624		2B-2	450680		2B-26
450576		2-5	450625		2-10	450681		2B-26
450577		2-26	450626		2-24	450682		2B-26
		2A-5	450627		2-13	450683		2B-26

SERVICE PARTS LIST
ROTARY SCREW COMPRESSOR UNITS

NUMERICAL SECTION

STOCK NUMBER	PART NUMBER	LIST-INDEX	STOCK NUMBER	PART NUMBER	LIST-INDEX	STOCK NUMBER	PART NUMBER	LIST-INDEX
450684		2B-26			1A-14	450963		2C-27
450685		2-26			1B-14	450964		2C-28
450686		2-26	450756	956A0009P04	1-19	450965		2C-29
450687		2-26			1A-19	450966		2C-30
450688		2-26	450759	956A0009P07	1B-19	450967		2C-31
450689		2-26	450765	956A0010P04	1A-36	450968		2C-32
450690		2-26	450772	950A0001H06	1B-13	450969		2C-32
450691		2A-26	450782	951A0022H07	8-2	450970		2C-32
450692		2A-26	450787	649C0108H01	3-23	450971		2C-33
450693		2A-26	450788	649D0298H01	3-17	450972		2C-34
450694		2A-26	450789		3-15	450973		2C-35
450695		2A-26	450791		3-11	450974		2C-35
450696		2A-26	450879	531A0077H03	1C-46	450975		2C-35
450697		2A-26			1D-46	450976		2C-36
450698		2A-26	450928		2C-1	450977		2C-37
450699		2A-26	450929		2C-1	450978		2C-38
450700		2B-26	450930		2C-2	450979		2C-39
450701		2B-26	450931		2C-3	450980		2C-40
450702		2B-26	450932		2C-4	450975		2C-40
450703		2B-26	450933		2C-5	450982		2C-41
450704		2B-26	450934		2C-6	450983		2C-42
450705		2B-26	450935		2C-6	450984		2C-43
450706		1C-6	450936		2C-7	450985		2C-44
		2B-26	450937		2C-8	450986		2C-45
450707		2B-26	450938		2C-8	450987		2C-46
450708		2B-26	450939		2C-8	450988		2C-38
450709		2B-26	450940		2C-9	450989		2C-46
450710		2B-26	450941		2C-10	450990		2C-47
450711		2B-26	450942		2C-11	450991		2C-48
450712		2-5	450943		2C-12	450992		2C-49
		2-26	450944		2C-13	450993		2C-53
		2A-5	450945		2C-14	450994		2C-54
		2A-26			2C-50	450995		2C-51
450713		2B-35	450946		2C-15	450996		2C-52
450714		2A-35	450947		2C-16	450997		2C-53
450715		2-35	450948		2C-17	450998		2C-54
450716		2A-28	450949		2C-18	450999		2C-55
450717		2A-23	450950		2C-18	451000		2C-56
450718		2A-26			2C-49	451001		2C-47
450719		2A-26	450951		2C-19	451002		2C-58
450710		2A-5	450952		2C-20	540074		4-1
450721		2A-27	450953		2C-20	831743		3-3
450722		2A-26	450954		2C-21			3A-1
450723		2A-26	450955		2C-21	831744		3-3
450724		2A-27	450956		2C-22			3A-3
450725		2-19	450957		2C-22	831745		3-5
450726		2A-19	450958		2C-23			3A-5
450727		2B-19	450959		2C-23	831746		3-6
450728		2-19			2C-40			3A-6
450729		2A-19	450960		2C-45	940051		4-1
450730		2B-19	450961		2C-25			4-3
450732		1-14	450962		2C-26	993282		3-16



**Branch Offices and Factors in
major cities in the United States
and throughout the world.**