



BY JOHNSON CONTROLS

Form 070.610-SPL (JUL 2013)

SERVICE PARTS LIST

File: SERVICE MANUAL - Section 70
Replaces: 070.610-SPL (APR 2013)
Dist: 3, 3a, 3b, 3c

RWF II

ROTARY SCREW COMPRESSOR UNITS

MODELS: RWF II 100 – 1080

HOW TO USE SERVICE PARTS LIST

This Service Parts List is for standard Frick® RWFII Rotary Screw Compressor Units, Models 100–1080. Units built with special options, modifications, or conversions are not taken into consideration.

This Service Parts List provides identification for detail parts by Figure and Index Number, Part Number and Description. To determine correct replacement item, locate item on Figure 1, 2, etc., note Index number, refer to corresponding Index number in parts list for part number and description. Quantity per assembly is located in QTY. column. Unit of measure is always "each" unless specified otherwise in Quantity column. When Ref. is in QTY. column, this means that the Item Number is for information only and is not necessarily a service replacement part. Contact Baltimore Parts Center for more information. REV. (Revision) column tells the level of the engineering drawing parts were taken from. The P & I REF. column gives the reference number of the item as shown on the Piping and Instrumentation drawing.

The Numerical Parts List can be used to locate a specific item in the Service Parts List. Look for the part by Frick Part Number and it will refer you to the Figure and Index Number where it is located.

Abbreviations found in this manual include:

A/R	As Required	SC	Seal Cap	WIL	Weld-In-Line
BW	Butt Weld	SW	Socket Weld		
HW	Hand Wheel	TSOC	Thermosyphon Oil Cooler		
Ref.	Reference	WCOC	Water Cooled Oil Cooler		

The Unit Data Plate listing model/serial number etc., is attached to the frame below the compressor.

NOTE: PLEASE PROVIDE ORDER NUMBER, UNIT MODEL NUMBER, AND UNIT SERIAL NUMBER WHEN REQUESTING A QUOTATION OR PLACING AN ORDER. FAILURE TO INCLUDE THIS INFORMATION MAY DELAY PROCESSING OF YOUR REQUEST.

TABLE OF CONTENTS

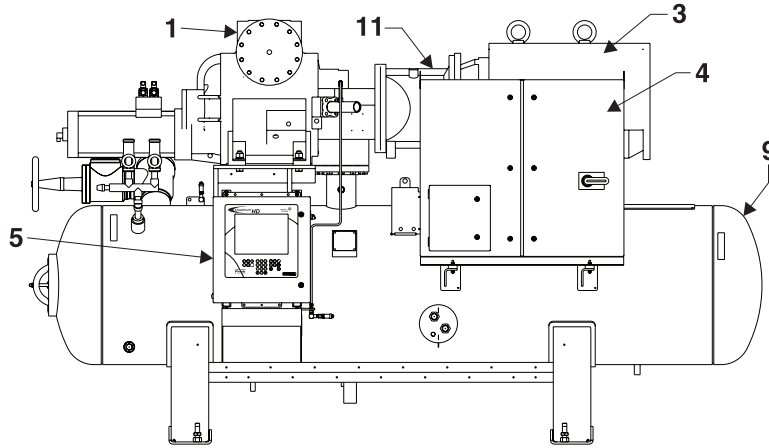
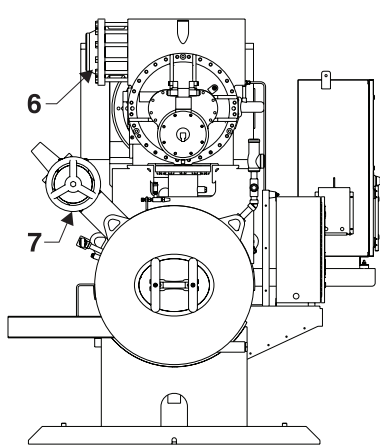
HOW TO USE SERVICE PARTS LIST2
 RECOMMENDED SPARE PARTS - CURRENT DESIGN3
 Figure 1. General Arrangement, Typical 4
 Figure 2. Screw Compressor, Typical (1913/1918 shown).....6
 Figure 3. Motor Support 193, RWFII 100 & 134.10
 Figure 4. Motor Support 233, RWFII 177, 222, & 270.12
 Figure 5. Motor Support 283, RWFII 316, 399, 480, & 546.....14
 Figure 6. Motor Support 355, RWFII 496, 676, 856 & 1080.....16
 Figure 7. Oil Separator, Typical.....18
 Figure 8. Oil Filter, Typical.....22
 Figure 9. Dual Oil Filters, Typical (100/134 shown).....24
 Figure 10. Oil Cooler Piping, Typical, 100-546.....26
 Figure 11. Oil Cooler Piping, Typical, 496-1080.....28
 Figure 12. Liquid Injection.....30
 Figure 13. 4-6" Suction/Discharge Stop Valve.32
 Figure 14. 8" Suction/Discharge Stop Valve.34
 Figure 15. 10-12" Suction/Discharge Stop Valve, Danfoss.....36
 Figure 16. 4-8" Discharge Check Valve, Current (Danfoss).38
 Figure 17. Multivalve, 496 & 676.40
 Figure 18. Multivalve, 856 & 1080.42
 Figure 19. Economizer.....44
 Figure 20. Oil Pump.46
 Figure 21. Coupling Assembly, T. B. Woods, 100 & 134.....56
 Figure 22. Coupling Assembly, T. B. Woods, 177-1080.57
 Figure 23. Piping and Instrumentation, Typical.....58
 Figure 24. Multivalve Power Assist.....61
 Figure 25. 1913/1918 Compressor Ports Locations.....62
 Figure 26. 2313/2317 Compressor Ports Locations.....63
 Figure 27. 2321 Compressor Ports Locations.....64
 Figure 28. 2813/2817 Compressor Ports Locations.65
 Figure 29. 2821/2824 Compressor Ports Locations.66
 Figure 30. 3511/3515/3519 Compressor Ports Locations.....67
 Figure 31. 3524 Compressor Ports Locations.68
 193-283 COMPRESSOR PORTS & O-RINGS.....69
 193-283 COMPRESSOR PORTS & SIZES69
 355 COMPRESSOR PORTS & SIZES.....69
 RWFII MODEL vs. COMPRESSOR MODEL.....69
 COMPRESSOR PORTS 100 - 54670
 STRAIGHT ADAPTERS / O-RINGS - STRAIGHT THREAD TO NPTF70
 90° ELBOW ADAPTERS / O-RINGS - STRAIGHT THREAD TO TUBE70
 COMPRESSOR PORTS 496 - 108070
 GASKETS - BOLTED FLANGES71
 DANFOSS STOP VALVES CROSS REFERENCE72
 DANFOSS HAND EXPANSION VALVES CROSS REFERENCE73
 FRICK® BLUE PAINT.....74
 FRICK® COMPRESSOR OILS74
 WIRING HARNESSES CHART75
 NUMERICAL PARTS LIST76

RECOMMENDED SPARE PARTS - CURRENT DESIGN

NOTE: PLEASE PROVIDE FRICK® ORDER NUMBER, UNIT MODEL NUMBER, AND UNIT SERIAL NUMBER WHEN REQUESTING A QUOTATION OR PLACING AN ORDER. FAILURE TO INCLUDE THIS INFORMATION MAY DELAY PROCESSING OF YOUR REQUEST.

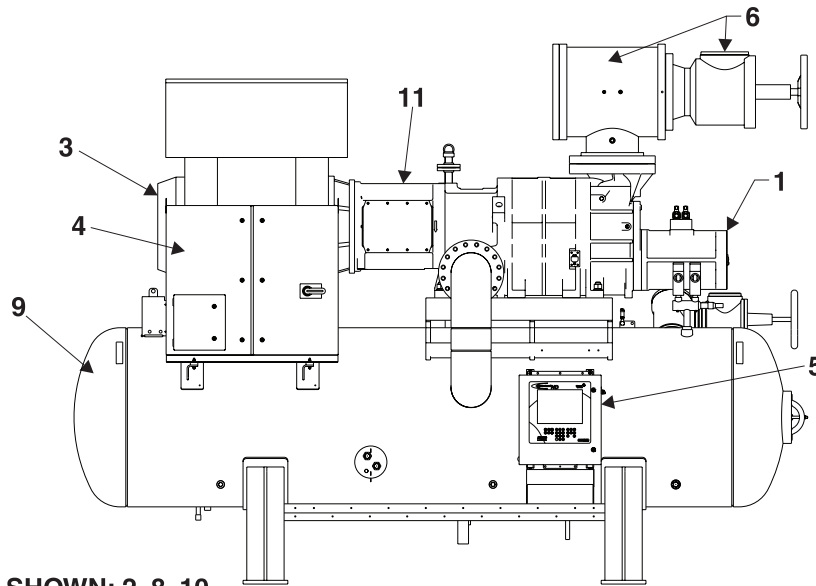
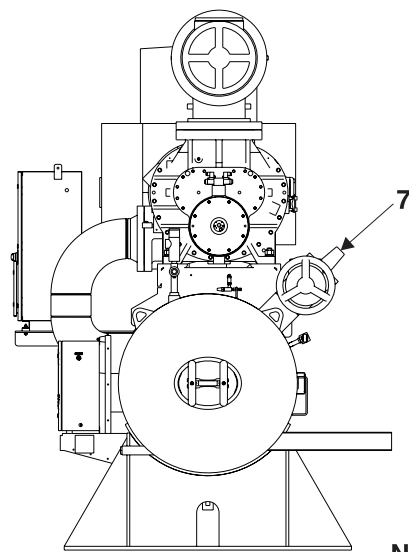
DESCRIPTION	QTY	MODEL	PART NUMBER
Temperature Probe, Element Less Well (TE-1-4)	1	ALL	639A0151H01
Transducer, Pressure, 0-200 PSIA (PE-4)	1	ALL	913A0150H03
Transducer, Pressure, 0-500 PSIA (PE-1-3)	1	ALL	913A0150H05
Coil, 120V 60Hz, 110V 50Hz, Yuken Solenoid Valve	2	ALL	951A0114H05
Coil, 220V 50Hz, 240V 60Hz, Yuken Solenoid Valve	2	ALL	951A0114H06
Seal Kit, Yuken Solenoid Valve	1	ALL	951A0113H20
Transmitter, Linear, Slide Valve (less well)	1	ALL	534D1251H03
Transmitter, Linear, Slide Stop (less well)	1	ALL	534C1478H02
Heater, Oil, 1000W, 120V	1	ALL	913A0092G02
Heater, Oil, 1000W, 240V	1	ALL	913A0092G04
Filter, SuperCoalescer™, Coalescing	A/R	ALL	531B0099H01
Filter, Convoluted, Coalescing	A/R	ALL	531B0065H01
Gasket, Manway For Coalescer	1	ALL	531A0105H04
Element, Oil Filter, SuperFilter™ II, One-Piece (Double Length)	1	100 - 222	531B0100H02
Element, Oil Filter, SuperFilter™ II, One-Piece (Triple Length)	1	270 - 1080	531B0100H03
Gasket, End Cover, For SuperFilter™ II	1	ALL	959A0082H01
Compressor Shaft Seal Replacement Kit - 1913, 1918	1	100 & 134	534M0163G02
Compressor Shaft Seal Replacement Kit - 2313, 2317, 2321	1	177 - 270	534M0163G03
Compressor Shaft Seal Replacement Kit - 2813, 2817, 2821, 2824	1	316 - 480 & 546	534M0163G04
Compressor Shaft Seal Replacement Kit - 3511, 3515, 3519, 3524	1	496 - 1080	534M0163G05

NOTE: This list is based on one unit. When stocking for more than one unit, the quantity should be adjusted to meet your individual requirements.



NOT SHOWN: 2, 8, 10

Figure 1a. Models 100-546



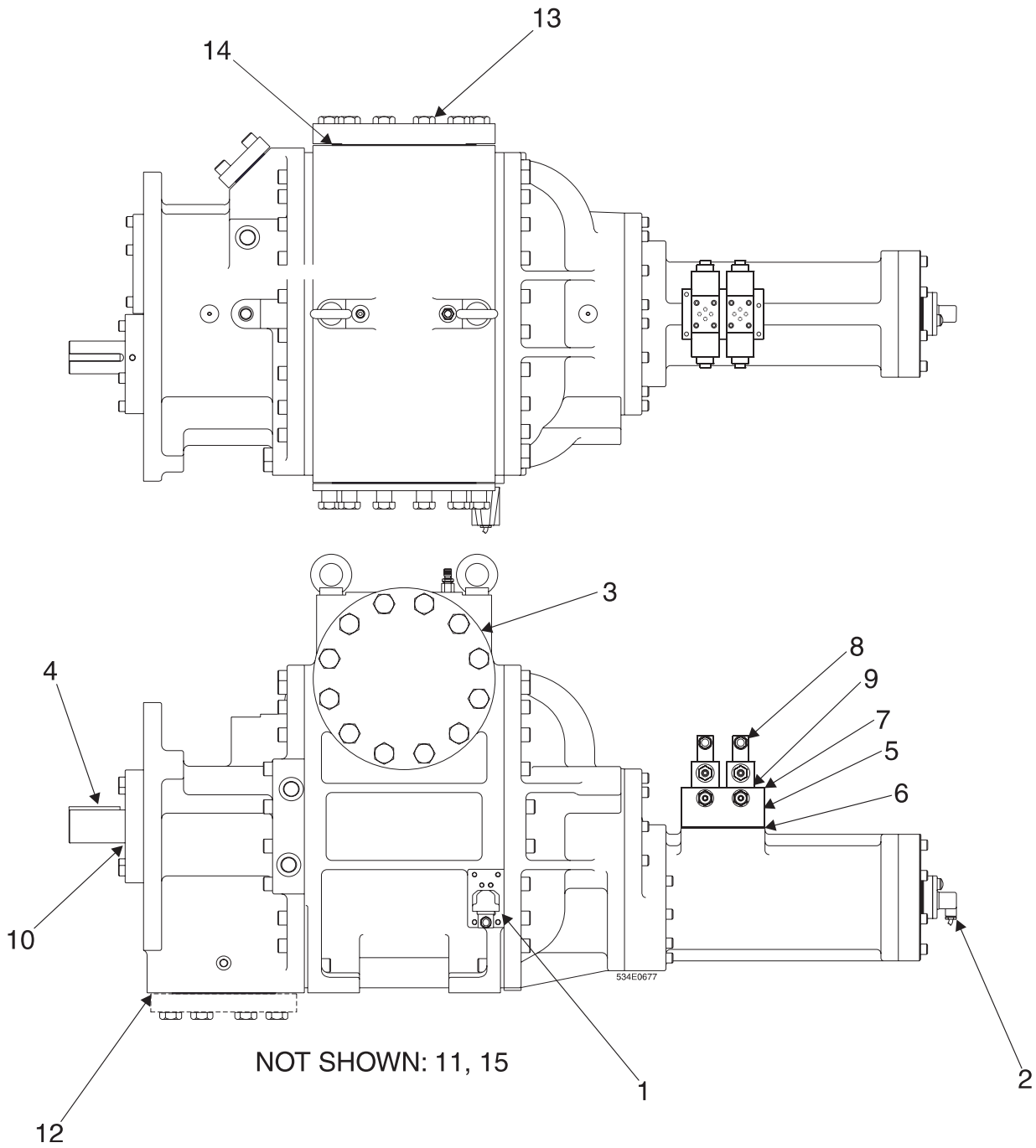
NOT SHOWN: 2, 8, 10

Figure 1b. Models 496-1080

Figure 1. General Arrangement, Typical.

FIG. & INDEX	PART NUMBER	DESCRIPTION	QTY.	REV.	P & I REF.
1a-	-	General Arrangement, RWF II 100 - 546	Ref.		
1b-	-	General Arrangement, RWF II 496 - 1080	Ref.		
-1	-	Compressor, SGC (See Fig. 2)	1		
-2	-	Coupling (See Fig. 20 & 21)	1		
-3	Contact Factory	Motor	1		
-4	Contact Factory	Starter, Solid State	1		
	639A0259H12	Strap, Earth Ground	1		
	720A0052H01	Isolator, Vibration	4/6		
-5	640D0133G01	Control Panel, Quantum™ LX/HD ⁽¹⁾	1		
-6	950A0357H10	Valve, Angle, Danfoss, 5", HW, WIL (See Fig. 13 & 14) ⁽³⁾	1		
	950A0357H11	Valve, Angle, Danfoss, 6", HW, WIL (See Fig. 13 & 14) ⁽³⁾	1		
	950A0357H12	Valve, Angle, Danfoss, 8", HW, WIL (See Fig. 13 & 14) ⁽³⁾	1		
	950A0283H01	Valve, Angle, Danfoss, 10", HW, WIL (See Fig. 15)	1		
	950A0283H02	Valve, Angle, Danfoss, 12", HW, WIL (See Fig. 15)	1		
	956A0063H01	Valve, Check, 5" (100)	1		
	956A0063H02	Valve, Check, 6" (134-177)	1		
	956A0063H03	Valve, Check, 8" (222-316)	1		
	956A0063H04	Valve, Check, 10" (399-546)	1		
	959A0054H31	Gasket, Flange, 5" (100)	1		
	959A0054H32	Gasket, Flange, 6" (134-177)	1		
	959A0054H33	Gasket, Flange, 8" (222-316)	1		
	959A0098H01	Gasket, Flange, 10" (399-546)	1		
	913A0150H03	Transducer, Pressure, 0-200 PSIA	1		
	649A0890H01	Connector, DIN, Restraint (standard) ⁽²⁾	1		
	649A0890H02	Connector, DIN, Conduit	1		
	649A0890H11	Gasket, DIN Connector ⁽²⁾	1		
	649D4628H01	Relief, Strain, 1/2" ⁽²⁾	1		
	535D0549G01	Multivalve, 12 x 14" (496-676) (See Fig. 17)	1		
	535D0553G01	Multivalve, 14 x 14" (856-1080) (See Fig. 18)	1		
-7	582C0030G01	Valve Assbly, Disch. Stop/Check, 4" HW (High Stage)	1		
	582C0030G03	Valve Assbly, Disch. Stop/Check, 4" HW (Booster)	1		
	582C0031G01	Valve Assbly, Disch. Stop/Check, 5" HW (High Stage)	1		
	582C0031G03	Valve Assbly, Disch. Stop/Check, 5" HW (Booster)	1		
	582C0032G01	Valve Assbly, Disch. Stop/Check, 6" HW (High Stage)	1		
	582C0032G03	Valve Assbly, Disch. Stop/Check, 6" HW (Booster)	1		
	582C0033G01	Valve Assbly, Disch. Stop/Check, 8" HW (High Stage)	1		
	582C0033G03	Valve Assbly, Disch. Stop/Check, 8" HW (Booster)	1		
	950A0357H09	Valve, Angle, Danfoss, 4", HW (See Fig. 13 & 14) ⁽³⁾	1		
	950A0357H10	Valve, Angle, Danfoss, 5", HW (See Fig. 13 & 14) ⁽³⁾	1		
	950A0357H11	Valve, Angle, Danfoss, 6", HW (See Fig. 13 & 14) ⁽³⁾	1		
	950A0357H12	Valve, Angle, Danfoss, 8", HW (See Fig. 13 & 14) ⁽³⁾	1		
	956A0045H01	Valve, GVD Check, 4" (High Stage) (See Fig. 16)	1		
	956A0045H02	Valve, GVD Check, 4" (Booster) (See Fig. 16)	1		
	956A0046H01	Valve, GVD Check, 5" (High Stage) (See Fig. 16)	1		
	956A0046H02	Valve, GVD Check, 5" (Booster) (See Fig. 16)	1		
	956A0047H01	Valve, GVD Check, 6" (High Stage) (See Fig. 16)	1		
	956A0047H02	Valve, GVD Check, 6" (Booster) (See Fig. 16)	1		
	956A0048H01	Valve, GVD Check, 8" (High Stage) (See Fig. 16)	1		
	956A0048H02	Valve, GVD Check, 8" (Booster) (See Fig. 16)	1		
-8	-	Assembly, Filter, Oil, Single (See Fig. 8)	Ref.		
	-	Assembly, Filter, Oil, Dual (See Fig. 9)	Ref.		
-9	-	Assembly, Oil Separator (See Fig. 7)	Ref.		
-10	-	Oil Pump, 100 - 1080 (See Fig. 20)	Ref.		
-11	-	Support, Motor (See Figs. 3-6)	Ref.		

1. See Quantum LX 090.020-M or HD 090.040-M, Recommended Spare Parts.
2. Not part of Pressure Transducer. Order separately.
3. See Danfoss Cross-Reference Chart on page 72 and 73.



NOTE: See Figures 25 - 31 for compressor port locations.

Figure 2. Screw Compressor, Typical (1913/1918 shown).

FIG. & INDEX	PART NUMBER	DESCRIPTION	QTY.	REV.	P & I REF.
2-	534E0672	Screw Compressor, SGC 1913, 1918 (RWFII 100 & 134)	Ref.	P	
	534E0697	Screw Compressor, SGC 2313, 2317 (RWFII 177 & 222)	Ref.	R	
	534E0708	Screw Compressor, SGC 2321 (RWFII 270)	Ref.	N	
	534E0753	Screw Compressor, SGC 2813, 2817 (RWFII 316 & 399)	Ref.	H	
	534D1270	Screw Compressor, SGC 2821 (RWFII 480)	Ref.	E	
	534D1450	Screw Compressor, SGC 2824 (RWFII 546)	Ref.	C	
	534D1436	Screw Compressor, SGCB 3511 (RWFII 496)	Ref.	D	
	534D1444	Screw Compressor, SGCH 3511 (RWFII 496)	Ref.	E	
	534D1439	Screw Compressor, SGCB 3515 (RWFII 676)	Ref.	D	
	534D1445	Screw Compressor, SGCH 3515 (RWFII 676)	Ref.	E	
	534D1442	Screw Compressor, SGCB 3519 (RWFII 856)	Ref.	D	
	534D1443	Screw Compressor, SGCB 3524 (RWFII 1080)	Ref.	D	
	-1	534C1478H01	Assembly, Transmitter, Linear* (Slide Stop)	1	
534C1478H02		Transmitter, Linear (less well)	1		
534C1314H01		Rod, Indicator, 1913, 1918, 2313, 2317, 2321	1		
534C1314H02		Rod, Indicator, 2813, 2817, 2821, 2824	1		
534C1314H03		Rod, Indicator, 3511, 3515, 3519, 3524	1		
534A0032H02		Spring (not part of assembly)	1		
980A0012K62		O-ring (not part of assembly)	1		
-2	534D1251H01	Assembly, Slide Valve Linear Transmitter*	1		
	534D1251H03	Transmitter, Linear (less well)	1		
	980A0012K60	O-ring	1		
-3	534C1264H01	Strainer, Suction, 1913	1		
	959A0054H31	Gasket, Flange, 1913	1		
	534C1264H02	Strainer, Suction, 1918 & 2313	2		
	959A0054H32	Gasket, Flange, 1918 & 2313	1		
	534C1264H03	Strainer, Suction, 2317 & 2321	1-3		
	959A0054H33	Gasket, Flange, 2317 & 2321	1		
	534C1264H05	Strainer, Suction, 2813	2		
	959A0054H33	Gasket, Flange, 2813	1		
	534C1264H04	Strainer, Suction, 2817, 2821, 2824	1		
	959A0054H34	Gasket, Flange, 2817, 2821, 2824	3		
-4	534A0662H02	Key, Square, .50 x 3.50", 1913 & 1918	1		
	534A0662H03	Key, Square, .626 x 3.50", 2313, 2317 & 2321	1		
	534A0662H04	Key, Square, .875 x 4.50", 2813-3524	1		
-5	535E0122H01	Block, Manifold, Yuken	1		
	535E0122H11	Valve, Needle, Flow Regulator, Yuken	5		
-6	980A0012A61	O-ring, Manifold Block to Compressor, Yuken	4		
-7	901A0228H20	Capscrew, SH, (M6x1)x80mm, Manifold to Compressor	4		
-8	951A0114H01	Assembly, Valve, Yuken, 120V 60Hz, 110V 50Hz*	2		
	951A0114H05	Coil, Yuken, 120V 60Hz, 110V 50Hz	4		
	951A0114H02	Assembly, Valve, Yuken, 220V 50Hz, 240V 60Hz, 240V 50Hz*	2		
	951A0114H06	Coil, Yuken, 220V 50Hz, 240V 60Hz	4		
-9	951A0113H20	Seal Kit, Valve, Yuken	2		

* Mounting hardware comes with assembly. DIN Cable Connector: 649A0890H01. DIN Gasket: 649A0890H11

FIG. & INDEX	PART NUMBER	DESCRIPTION	QTY.	REV.	P & I REF.
-10	534M0163G02	Kit, Shaft Seal, 1913 & 1918	1		PE-3
	534M0163G03	Kit, Shaft Seal, 2313, 2317 & 2321	1		
	534M0163G04	Kit, Shaft Seal, 2813, 2817, 2821, 2824	1		
	534M0163G05	Kit, Shaft Seal, 3511, 3515, 3519, 3524	1		
-11	913A0150H05	Transducer, Pressure, 0-500 PSIA	1		
	649A0890H01	Connector, DIN, Restraint (standard) ⁽¹⁾	1		
	649A0890H02	Connector, DIN, Conduit	1		
	649A0890H11	Gasket, DIN Connector ⁽¹⁾	1		
	649D4628H01	Relief, Strain, 1/2" ⁽¹⁾	1		
-12	959A0054H30	Gasket, Discharge, 4", 1913 & 1918	1		
	959A0054H32	Gasket, Discharge, 6", 2313, 2317, 2321	1		
	959A0054H33	Gasket, Discharge, 8", 2813, 2817, 2821, 2824	1		
	959A0054H34	Gasket, Discharge, 10", 3511-3519, 3524	1		
-13	901A0206H09	Capscrew, Hex Head, (M20x2.5)x65mm, 193-233	A/R		
	901A0192H06	Capscrew, Hex Head, (M22x2.5)x75mm, 233-283 (2317-2813)	A/R		
	901A0207H10	Capscrew, Hex Head, (M24x3.0)x90mm, 283 (2817-2824)	A/R		
	901A0231H01	Capscrew, Hex Head, (M30x3.5)x50mm, 3511-3519, 3524	A/R		
-14	959A0054H31	Gasket, Suction, 5" 300 Class, 193 (1913)	2		
	959A0054H32	Gasket, Suction, 6" 300 Class, 193 (1918)	2		
	959A0054H32	Gasket, Suction, 6" 300 Class, 233 (2313)	2		
	959A0054H33	Gasket, Suction, 8" 300 Class, 233 (2317)	2		
	959A0054H33	Gasket, Suction, 8" 300 Class, 233 (2321)	2		
	959A0054H33	Gasket, Suction, 8" 300 Class, 283 (2813)	2		
	959A0054H34	Gasket, Suction, 10" 300 Class, 283 (2817)	2		
	959A0054H34	Gasket, Suction, 10" 300 Class, 283 (2821)	2		
	959A0054H34	Gasket, Suction, 10" 300 Class, 283 (2824)	2		
	959A0054H36	Gasket, Suction, 14" 300 Class, 355 (3511-3524)	1		
	-15	534E0656C01	Support, Motor, 193, RWFII 100 & 134 (See Fig. 3)	1	
534E0773C01		Support, Motor, 193, RWFII 100 & 134 ⁽²⁾	1		
333Q0000738		Washer, Flat, M8	6		
534A0506H01		Grommet	6		
534B0149H01		Pin, Dowel, 20 x 70mm	1		
534B0151H01		Pin, Dowel, 20 x 70mm, Special	1		
534B0705H01		Cover	1		
534C1466H01		Cover ⁽²⁾	1		
901A0190H06		Capscrew, Socket Head, (M8x1.25)x20mm	6		
901A0224H09		Capscrew, Socket Head, (M12x1.75)x55mm	9		
534E0684C01		Support, Motor, 233, RWFII 177, 222, & 270 (See Fig. 4)	1		
534E0684C11		Support, Motor, 233, RWFII 177, 222, & 270 (See Fig. 4) ⁽³⁾	1		
534B0149H01		Pin, Dowel, 20 x 70mm	1		
534B0151H01		Pin, Dowel, 20 x 70mm, Special	1		
901A0224H09		Capscrew, Socket Head, (M12x1.75)x55mm	10		
534B0723H01		Plate, Cover	1		
534A0506H01		Grommet	6		
333Q0000738		Washer, Flat, M8	6		
901A0190H06		Capscrew, Socket Head, (M8x1.25)x20mm	6		
534E0731C01		Support, Motor, 283, RWFII 316, 399, 480 & 546 (See Fig. 5)	1		
534B0149H01	Pin, Dowel, 20 x 70mm	1			

FIG. & INDEX	PART NUMBER	DESCRIPTION	QTY.	REV.	P & I REF.
	534B0151H01	Pin, Dowel, 20 x 70mm, Special	1		
	901A0223H08	Capscrew, Socket Head, (M16x2.0)x60mm	12		
	534B0740H01	Plate, Cover	1		
	534A0506H01	Grommet	6		
	333Q0000738	Washer, Flat, M8	6		
	901A0190H06	Capscrew, Socket Head, (M8x1.25)x20mm	6		
	534E0928C01	Support, Motor, 355, RWFII 496, 676, 856, 1080 (See Fig. 6)	1		
	534B1010H01	Gasket, Cover Plate	2		
	534C1699H01	Plate, Cover	1		
	534B0151H01	Pin, Dowel, 20 x 70mm, Special	1		
	901A0224H03	Capscrew, Socket Head, (M12x1.75)x25mm	8		
	901A0222H07	Capscrew, Socket Head, (M20x2.5)x65mm	14		
	534B0149H01	Pin, Dowel, 20 x 70mm	1		
	<ol style="list-style-type: none"> 1. Not part of Pressure Transducer. Order separately. 2. C-Face - 364TSC, 365TSC, 404TSC 3. Ductile Iron 				

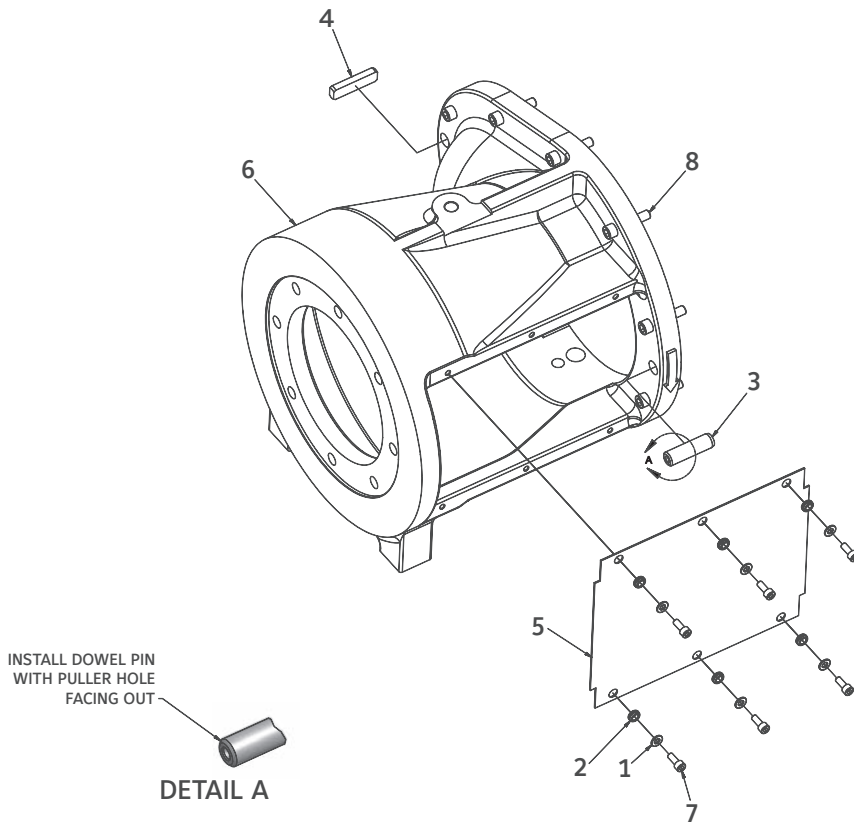
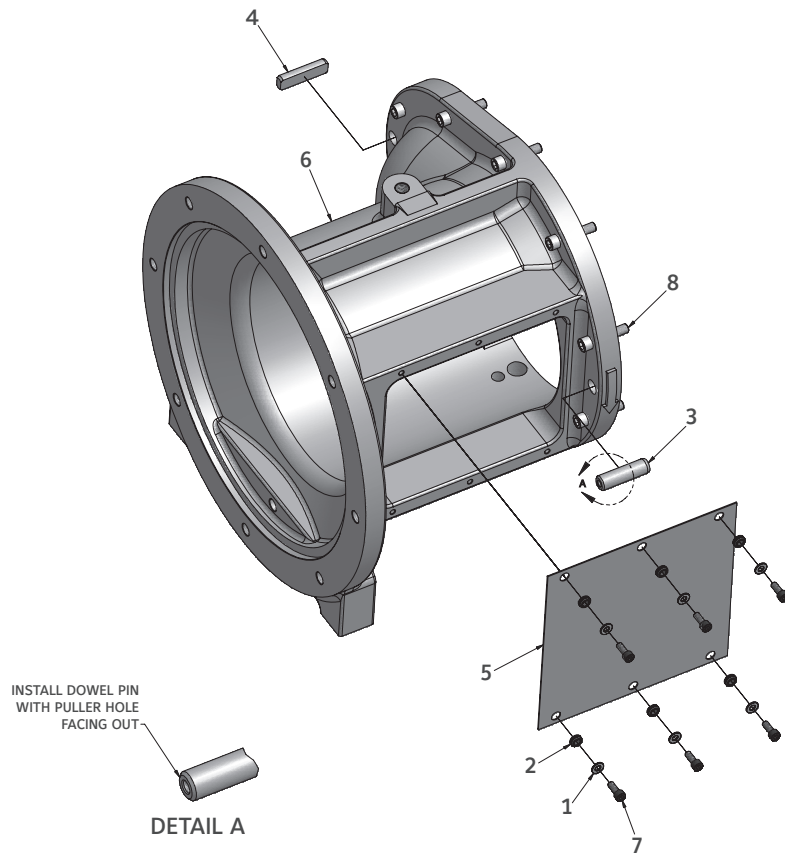


Figure 3. Motor Support 193, RWFII 100 & 134.

FIG. & INDEX	PART NUMBER	DESCRIPTION	QTY.	REV.	P & I REF.
3-	534E0676G01 534E0786G01	Motor Support, RWFII 100 & 134 Motor Support, RWFII 100 & 134 (364TSC, 365TSC, 404TSC) ⁽¹⁾	Ref. Ref.		
-1	333Q0000738	Washer, Flat, M8	6		
-2	534A0506H01	Grommet	6		
-3	534B0149H01	Pin, Dowel, 20 x 70mm	1		
-4	534B0151H01	Pin, Dowel, 20 x 70mm, Special Locating	1		
-5	534B0705H01 534C1466H01	Cover, Support, Motor (100 & 134) Cover, Support, Motor (100 & 134) ⁽¹⁾	1 1		
-6	534E0656C01 534E0773C01	Support, Motor, 193 (100 & 134) Support, Motor, 193 (100 & 134) ⁽¹⁾	1 1		
-7	901A0190H06	Capscrew, Socket Head, (M8x1.25)x20	6		
-8	901A0224H09	Capscrew, Socket Head, (M12x1.75)x55	9		
1. C-Face - 364TSC, 365TSC, 404TSC					

FIG. & INDEX	PART NUMBER	DESCRIPTION	QTY.	REV.	P & I REF.
4-	534E0699G01	Motor Support, RWFII 177, 222, & 270	Ref.		
	534E0699G02	Motor Support, RWFII 177, 222, & 270 (65-45-12 Ductile Iron)	Ref.		
-1	534E0684C01	Support, Motor, (177, 222, 270)	1		
-2	534E0684C11	Support, Motor, (177, 222, 270) (Ductile Iron)	1		
-3	534B0149H01	Pin, Dowel, 20 x 70mm	1		
-4	534B0151H01	Pin, Dowel, 20 x 70mm, Special Locating	1		
-5	901A0224H09	Capscrew, Socket Head, (M12x1.75)x55	10		
-6	534B0723H01	Cover, Support, Motor (177, 222, 270)	1		
-7	534A0506H01	Grommet	6		
-8	333Q0000738	Washer, Flat, M8	6		
-9	901A0190H06	Capscrew, Socket Head, (M8x1.25)x20	6		

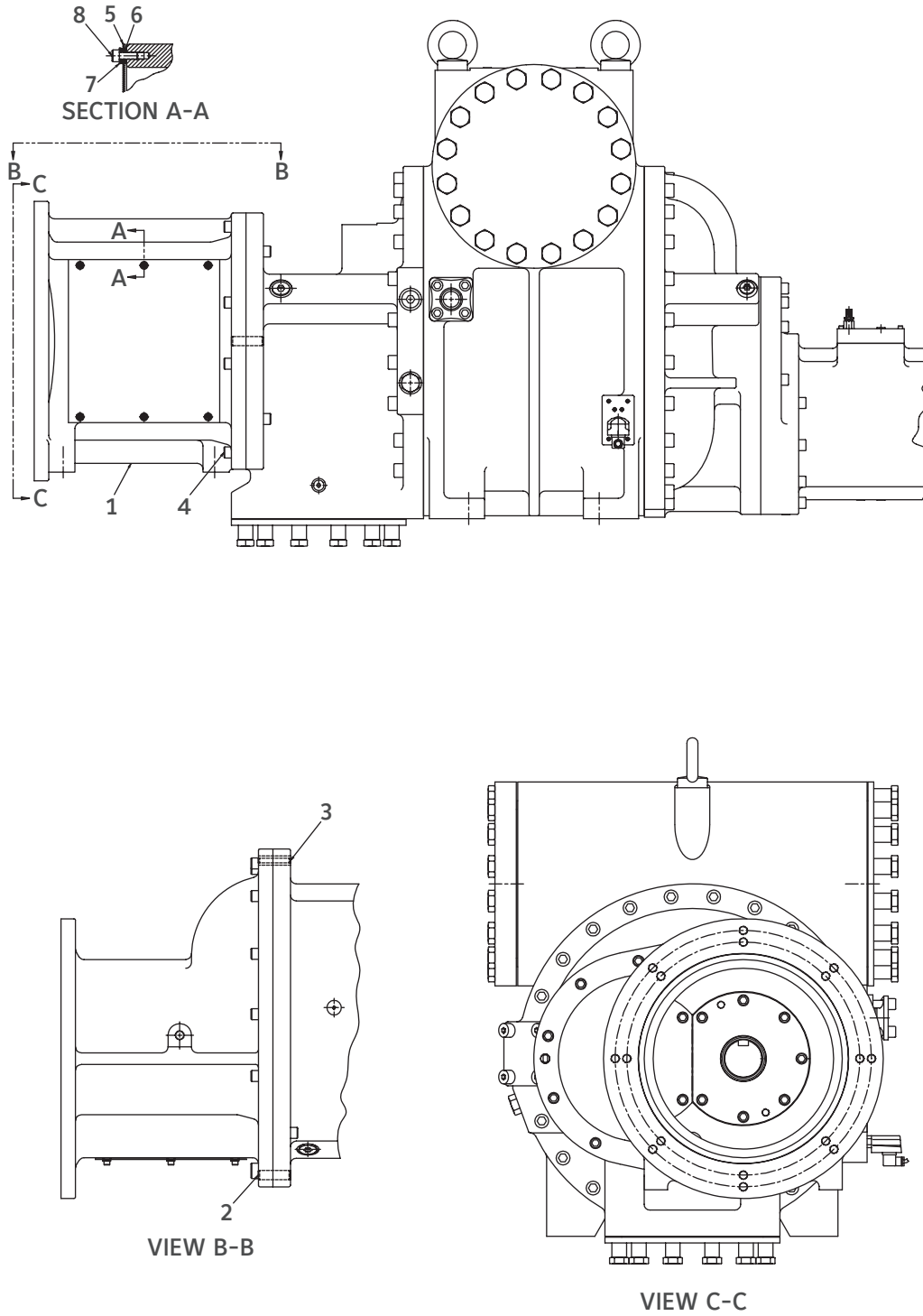


Figure 5. Motor Support 283, RWFII 316, 399, 480, & 546.

FIG. & INDEX	PART NUMBER	DESCRIPTION	QTY.	REV.	P & I REF.
5-	534E0758G01	Motor Support, RWFII 316, 399, 480 & 546	Ref.		
-1	534E0731C01	Support, Motor (316, 399, 480, & 546)	1		
-2	534B0149H01	Pin, Dowel, 20 x 70mm	1		
-3	534B0151H01	Pin, Dowel, 20 x 70mm, Special Locating	1		
-4	901A0223H08	Capscrew, Socket Head (M16x2.0)x60mm	12		
-5	534B0740H01	Cover, Support, Motor (316, 399, 480, & 546)	1		
-6	534A0506H01	Grommet	6		
-7	333Q0000738	Washer, Flat, M8	6		
-8	901A0190H06	Capscrew, Socket Head, (M8x1.25)x20	6		

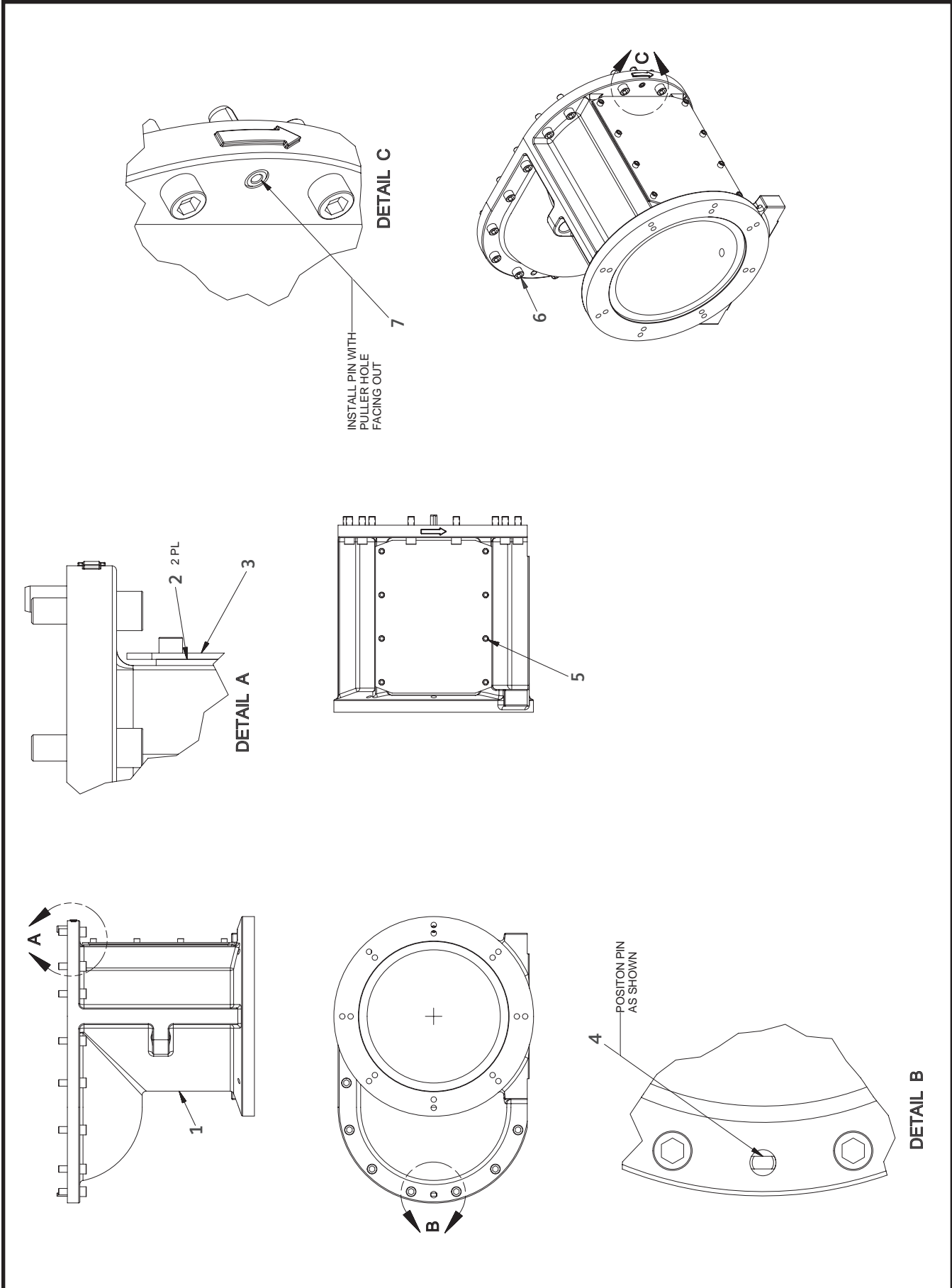


Figure 6. Motor Support 355, RWFII 496, 676, 856 & 1080.

FIG. & INDEX	PART NUMBER	DESCRIPTION	QTY.	REV.	P & I REF.
6-	534C1714G01	Motor Support, RWFII 496, 676, 856 & 1080	Ref.		
-1	534E0928C01	Support, Motor (496, 676, 856 & 1080)	1		
-2	534B1010H01	Gasket, Cover, Support, Motor (496, 676, 856 & 1080)	2		
-3	534C1699H01	Cover, Support, Motor (496, 676, 856 & 1080)	1		
-4	534B0151H01	Pin, Dowel, 20 x 70mm, Special Locating	1		
-5	901A0224H03	Capscrew, Socket Head, (M12x1.75)x25	8		
-6	901A0222H07	Capscrew, Socket Head, (M20x2.5)x65	14		
-7	534B0149H01	Pin, Dowel, 20 x 70mm	1		

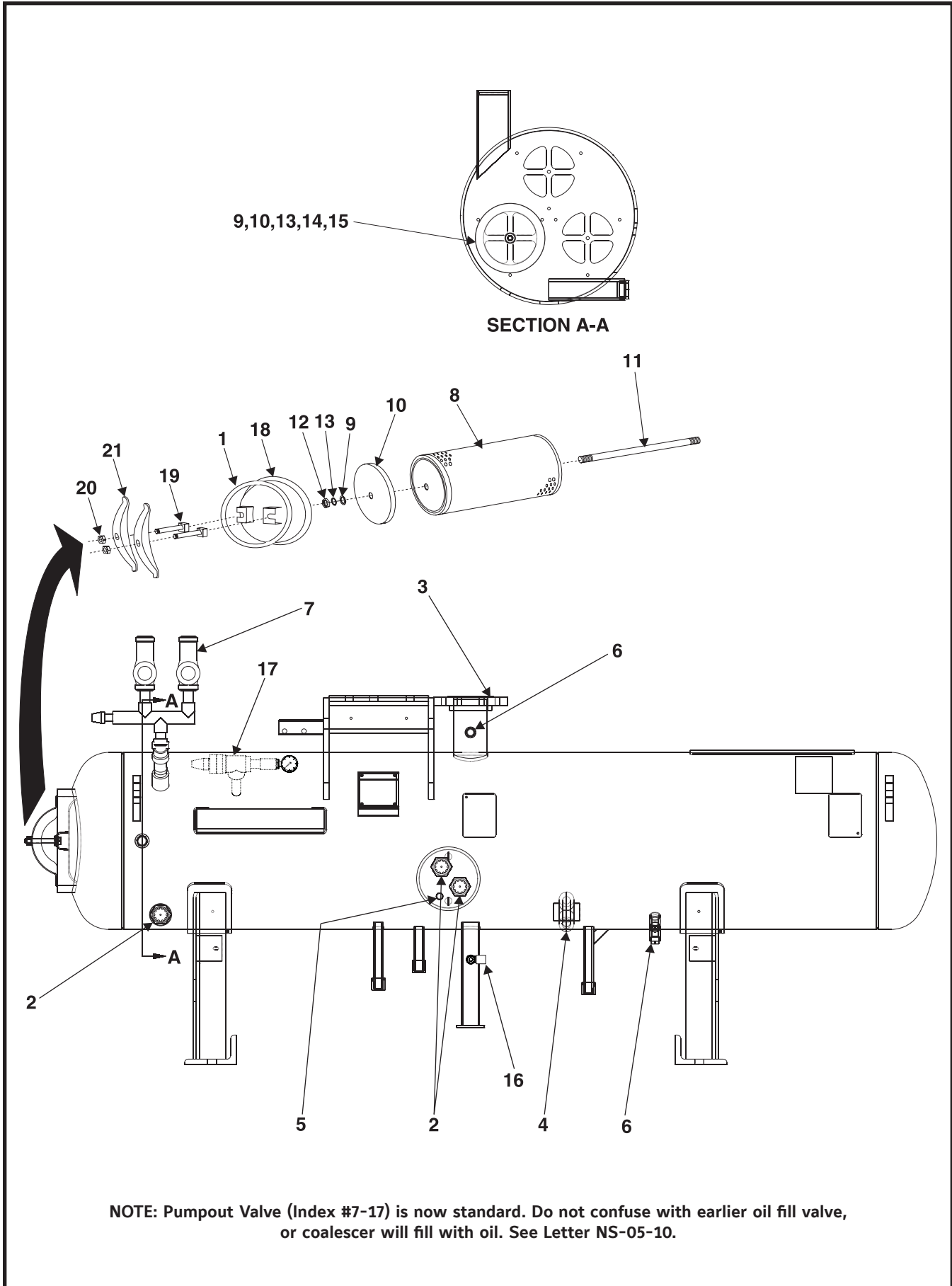


Figure 7. Oil Separator, Typical.

FIG. & INDEX	PART NUMBER	DESCRIPTION	QTY.	REV.	P & I REF.
7-	548E0401G01	Assembly, Oil Separator, 24 x 118 3/8", 300 DWP, 100 & 134 ⁽²⁾	Ref.		
	548E0402G01	Assembly, Oil Separator, 30 x 123 3/8", 300 DWP, 100 & 134 ⁽²⁾	Ref.		
	548E0419G01	Assembly, Oil Separator, 24 x 123 3/8", 400 DWP, 100 & 134 ⁽²⁾	Ref.		
	548E0420G01	Assembly, Oil Separator, 30 x 123 3/8", 400 DWP, 100 & 134 ⁽²⁾	Ref.		
	548E0403G01	Assembly, Oil Separator, 30 x 132 5/8", 300 DWP, 177 & 222 ⁽²⁾	Ref.		
	548E0404G01	Assembly, Oil Separator, 36 x 135 3/4", 300 DWP, 177 & 222 ⁽²⁾	Ref.		
	548E0421G01	Assembly, Oil Separator, 30 x 132 5/8", 400 DWP, 177 & 222 ⁽²⁾	Ref.		
	548E0422G01	Assembly, Oil Separator, 36 x 135 3/4", 400 DWP, 177 & 222 ⁽²⁾	Ref.		
	548E0405G01	Assembly, Oil Separator, 36 x 160 1/2", 300 DWP, 270 ⁽²⁾	Ref.		
	548E0423G01	Assembly, Oil Separator, 36 x 160 1/2", 400 DWP, 270 ⁽²⁾	Ref.		
	548E0406G01	Assembly, Oil Separator, 36 x 160 1/2", 300 DWP, 316 & 399 ⁽²⁾	Ref.		
	548E0407G01	Assembly, Oil Separator, 42 x 163 1/2", 300 DWP, 316 & 399 ⁽²⁾	Ref.		
	548E0424G01	Assembly, Oil Separator, 36 x 160 1/2", 400 DWP, 316 & 399 ⁽²⁾	Ref.		
	548E0425G01	Assembly, Oil Separator, 42 x 163 1/2", 400 DWP, 316 & 399 ⁽²⁾	Ref.		
	548E0408G01	Assembly, Oil Separator, 42 x 170 1/2", 300 DWP, 480 & 546 ⁽²⁾	Ref.		
	548E0426G01	Assembly, Oil Separator, 42 x 170 1/2", 400 DWP, 480 & 546 ⁽²⁾	Ref.		
	548E0409G01	Assembly, Oil Separator, 42 x 179 1/2", 300 DWP, 496 ⁽²⁾	Ref.		
	548E0427G01	Assembly, Oil Separator, 42 x 179 5/8", 400 DWP, 496 ⁽²⁾	Ref.		
	548E0410G01	Assembly, Oil Separator, 48 x 190 5/8", 300 DWP, 676 ⁽²⁾	Ref.		
	548E0428G01	Assembly, Oil Separator, 48 x 190 5/8", 400 DWP, 676 ⁽²⁾	Ref.		
	548E0411G01	Assembly, Oil Separator, 54 x 199 3/4", 300 DWP, 856 & 1080 ⁽²⁾	Ref.		
	548E0429G01	Assembly, Oil Separator, 54 x 199 3/4", 400 DWP, 856 & 1080 ⁽²⁾	Ref.		
-1	531A0105H04	Gasket, Manway, 12 x 16"	1		
-2	947A0003H05	Sightglass, Ball Float, 2-11 1/2 NPT, Silver	3		
	947A0003H07	Sightglass, Ball Float, 1 1/2-11 1/2 NPT, Silver	3		
-3	959A0054H30	Gasket, Compressor to Separator, Class 300, 100 & 134	1		
	959A0054H32	Gasket, Compressor to Separator, Class 300, 177-270	1		
	959A0054H33	Gasket, Compr. to Separator, Class 300, 316/399/480/546	1		
	959A0054H34	Gasket, Compressor to Separator, Class 300, 496-1080	1		
-4	913A0092G02	Assembly, Oil Heater, 1000W/120V	3		HTR
	913A0047H02	Heater, Oil, 1000W/120V	3		
	649A0890H01	Connector, DIN, Restraint (standard)	1		
	649A0890H02	Connector, DIN, Conduit	1		
	913A0092G04	Assembly, Oil Heater, 1000W/240V	3		HTR
	913A0047H04	Heater, Oil, 1000W/240V	3		
	649A0890H01	Connector, DIN, Restraint (standard)	1		
	649A0890H02	Connector, DIN, Conduit	1		
-5	913A0123H01	Assembly, Switch, Oil Level Sensing, 24V	1		
	913A0123H11	Sensor Probe less Well	1		
	913A0123H12	Well only	1		
-6	639A0151G03	Assembly, Temperature Sensor	4		TE
	639A0151H01	Temperature Sensor Probe, less Well	1		
	913A0098H01	Well, with cap	1		
	913A0100H01	Thermal Compound	A/R		
	649A0890H01	Connector, DIN, Restraint (standard)	1		
	649A0890H02	Connector, DIN, Conduit	1		
	649A0890H11	Gasket, DIN Connector	1		
		100-134 300 PSIG⁽²⁾			PSV-1
-7	580C0440G10	Assembly, Safety Valve, 1/2", 100 & 134	1		
	955B0005H01	Manifold, Valve, 1/2" FPT	1		
	952A0062H10	Valve, Safety, 1/2" x 1 FPT, Shank 812, 300 PSIG	2		
		100-1080 300 PSIG⁽²⁾			PSV-1
	580C0424G10	Assembly, Dual Safety Valve, 1/2", 100-1080	1		
	955B0005H01	Manifold, Valve, 1/2" FPT	1		

FIG. & INDEX	PART NUMBER	DESCRIPTION	QTY.	REV.	P & I REF.
	952A0051H10	Valve, Safety, 1/2 x 1" FPT, Shank 813, 300 PSIG	2		
	580C0425G10	Assembly, Dual Safety Valve, 3/4", 100-1080	1		
	955B0005H02	Manifold, Valve, 3/4"	1		
	952A0052H10	Valve, Safety, 3/4 x 1-1/4" FPT, Shank 814, 300 PSIG	2		
	580C0426G10	Assembly, Dual Safety Valve, 1", 100-1080	1		
	955B0005H03	Manifold, Valve, 1"	1		
	952A0053H10	Valve, Safety, 1 x 1-1/2" FPT, Shank 815, 300 PSIG	2		
	580C0404G07	Assembly, Dual Safety Valve, 1", 177-1080	1		
	955B0001H02	Manifold, 1-1/4 Pipe x 1" FPT	1		
	952A0055H07	Valve, Safety, 1 x 2" NPT, Shank 851, 300 PSIG	2		
	580C0407G07	Assembly, Dual Safety Valve, 1-1/2" 270-1080	1		
	955B0002H02	Manifold, 2" Pipe x 1-1/2 FPT	1		
	952A0058H07	Valve, Safety, 1-1/2 x 2" FPT, Shank 903, 300 PSIG	2		
		100-134 350 PSIG ⁽²⁾			PSV-1
	580C0440G12	Assembly, Dual Safety Valve, 1/2", 100 & 134	1		
	955B0005H01	Manifold, Valve, 1/2" FPT	1		
	952A0062H12	Valve, Safety, 1/2 x 1" FPT, Shank 812, 350 PSIG	2		
		100-546 350 PSIG ⁽²⁾			PSV-1
	580C0424G12	Assembly, Dual Safety Valve, S813, 350 PSIG	1		
	955B0005H01	Manifold, Valve, 1/2" FPT	1		
	952A0051H12	Valve, Safety, 1/2" Shank, 350 PSIG	2		
	580C0425G12	Assembly, Dual Safety Valve, S814, 350 PSIG	1		
	955B0005H02	Manifold, Valve, 3/4"	1		
	952A0052H12	Valve, Safety, 3/4", Shank, 350 PSIG	2		
	580C0426G12	Assembly, Dual Safety Valve, 1", S815, 350 PSIG	1		
	955B0005H03	Manifold, Valve, 1"	1		
	952A0053H12	Valve, Safety, 1" Shank, 350 PSIG	2		
	580C0404G09	Assembly, Dual Safety Valve, 1", 851, 350 PSIG	1		
	955B0001H02	Manifold, 1-1/4 Pipe x 1" FPT	1		
	955B0001H11	O-rings, Stem	1		
	955B0001H12	O-ring, Cap	1		
	955B0001H13	Gasket, Stem Seal Cap	1		
	952A0055H09	Valve, Safety, 1", Shank, 350 PSIG	1		
	580C0407G09	Assembly, Dual Safety Valve, 903, 1-1/2"	1		
	955B0002H02	Manifold, 1-1/2"	1		
	955B0002H11	O-rings, Stem	1		
	955B0002H12	O-ring, Cap	1		
	955B0002H13	Gasket, Stem Seal Cap	1		
	952A0058H09	Valve, Safety, 1-1/2", Shank, 350 PSIG	2		
		100-134 400 PSIG ⁽²⁾			PSV-1
	580C0440G14	Assembly, Dual Safety Valve, 812, 400 PSIG	1		
	955B0005H01	Manifold, Valve, 1/2" FPT	1		
	952A0062H14	Valve, Safety, 1/2 x 1" FPT, Shank 812	2		
		100-546 400 PSIG ⁽²⁾			PSV-1
	580C0424G14	Assembly, Dual Safety Valve, 813, 400 PSIG	1		
	955B0005H01	Manifold, Valve, 1/2" FPT	1		
	952A0051H14	Valve, Safety, 1/2" FPT, Shank	2		
	580C0425G14	Assembly, Dual Safety Valve, S814, 400 PSIG	1		
	955B0005H02	Manifold, Valve, 3/4"	1		
	952A0052H14	Valve, Safety, 3/4", Shank	2		
	580C0426G14	Assembly, Dual Safety Valve, S815, 400 PSIG	1		
	955B0005H03	Manifold, Valve, 1"	1		
	952A0053H14	Valve, Safety, 1", Shank, 400 PSIG	2		

FIG. & INDEX	PART NUMBER	DESCRIPTION	QTY.	REV.	P & I REF.
		496-1080 350 PSIG ⁽²⁾			PSV-1
	580C0426G12	Assembly, Dual Safety Valve, 1", S815, 350 PSIG	1		
	955B0005H03	Valve, Shutoff, 3-Way, 1"	1		
	952A0053H12	Valve, Safety, 1" FPT, Shank, 350 PSIG	2		
	580C0404G09	Assembly, Dual Safety Valve, 1" FPT, 851, 350 PSIG	1		
	955B0001H02	Manifold, 1-1/4 Pipe x 1" FPT	1		
	955B0001H11	O-rings, Stem	1		
	955B0001H12	O-ring, Cap	1		
	955B0001H13	Gasket, Stem Seal Cap	1		
	952A0055H09	Valve, Safety, 1" FPT, Shank, 350 PSIG	2		
	580C0407G09	Assembly, Dual Safety Valve, 1-1/2" FPT, 903, 350 PSIG	1		
	955B0002H02	Manifold, 1-1/2"	1		
	955B0002H11	O-rings, Stem	1		
	955B0002H12	O-ring, Cap	1		
	955B0002H13	Gasket, Stem Seal Cap	1		
	952A0058H09	Valve, Safety, 1-1/2" FPT, Shank, 350 PSIG	2		
		496-1080 400 PSIG ⁽²⁾			PSV-1
	580C0426G14	Assembly, Dual Safety Valve, 815, 400 PSIG	1		
	952A0053H14	Valve, Safety, 1" FPT, Shank, 400 PSIG	2		
	955B0005H03	Valve, Shutoff, 3-Way, 1"	1		
-8	531B0099H01	Filter, SuperCoalescer™, Coalescing	*		
	531B0065H01	Filter, Convoluted**, Coalescing	*		
		* 100 & 134	2-3		
		177 & 222	3-4		
		270-399	4-5		
		480 & 496 ⁽¹⁾	5-6		
		676 ⁽¹⁾	8-9		
		856 & 1080 ⁽¹⁾	11		
-9	540D0217H06	Washer, Seal	1 per		
-10	540D0217H03	Retainer, Filter (end plate)	1 per		
-11	540D0217G03	Stud 1/2-13NC x 37"	1 per		
-12	902A0021H01	Nut, Hex 1/2-13NC	1 per		
-13	905A0012H05	Washer 1/2"	1 per		
-14	901A0045D04	Capscrew, Hex Head, 1/2 x 1-1/2"	1 per		
	905A0013H05	Washer, Lock, Carbon Steel, 1/2"	1 per		
-15	959A0105H01	Gasket, 9-3/8" OD (for unused coalescer filter opening)	1 per		
-16	950A0292H03	Valve, Angle, SC, Danfoss, 1/2 MPT x 1/2 MPT (oil drain/fill) ⁽³⁾	1		NV
-17	950A0354H02	Valve, Angle, 3/4" SW, SC (pump out) ⁽⁴⁾⁽⁵⁾	1		
	950A0353H31	Spare Parts Kit, Overhaul (less stem)	1		
	950A0353H41	Spare Parts Kit, Inspection	1		
	950A0353H21	Spare Parts Kit, Repair	1		
	950A0354H61	Spare Parts Kit, Seal Cap	1		
-18	535A0115H04	Cover, Manway w/Handle	1		
-19	535A0115H06	Bolt, Manway	2		
-20	535A0115H07	Nut, Manway	2		
-21	535A0115H08	Yoke, Manway	2		
<p>** Convoluted recommended for use with 400 and 500 series refrigerants.</p> <p>1. Quantity of coalescing filters may be different, depending on operating conditions of your unit.</p> <p>2. 300 DWP is standard. 400 DWP is optional. Contact factory to determine correct separator used on your package.</p> <p>3. Oil will now be charged through the drain valve. A pump will be necessary to drive oil flow. See Service Information NS-05-10.</p> <p>4. Pumpout valve is now standard. Do not confuse with earlier oil fill valve, otherwise coalescer will fill with oil. See NS-05-10.</p> <p>5. See Danfoss Cross-Reference Chart on pages 74 & 75.</p>					

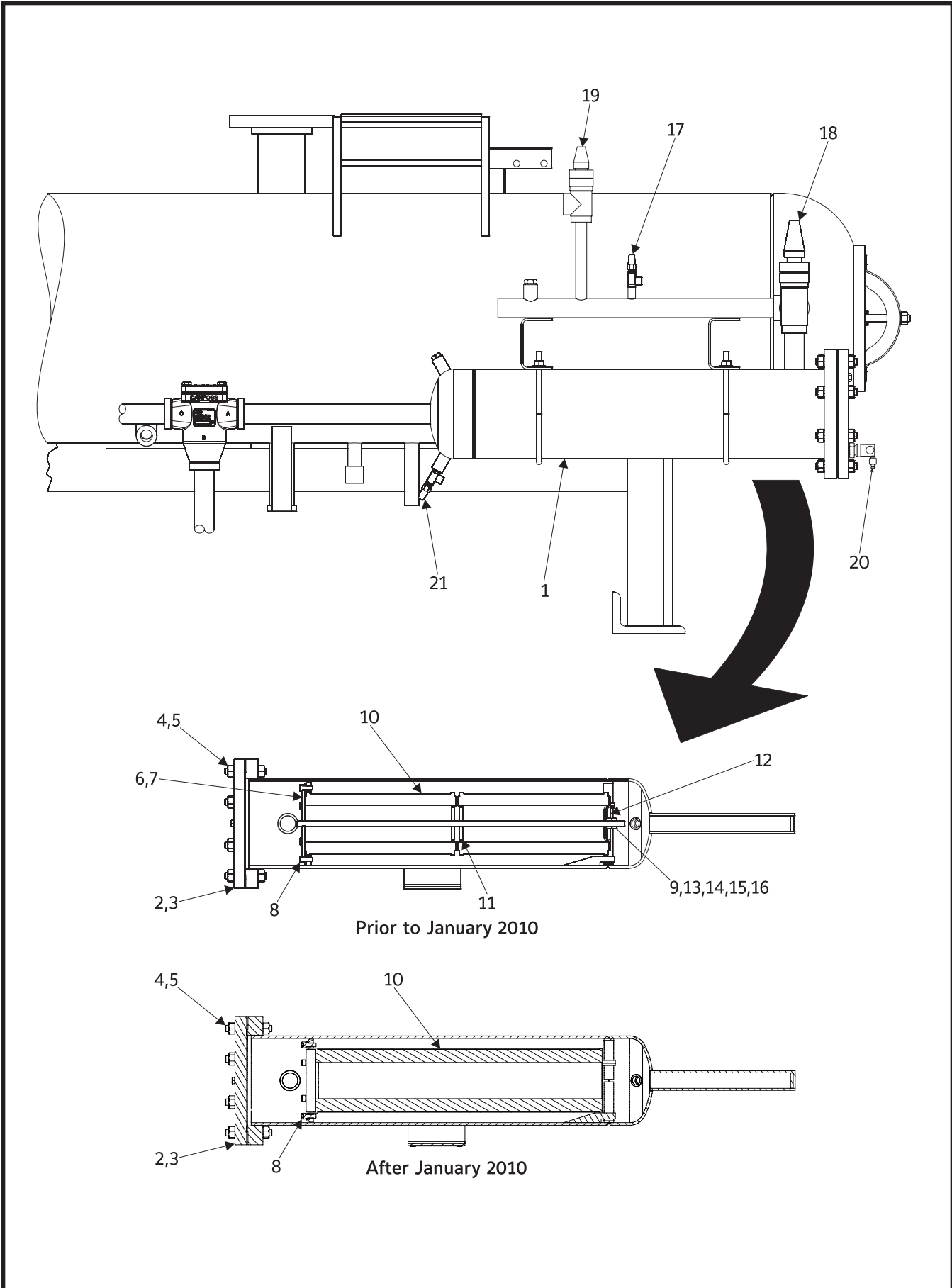


Figure 8. Oil Filter, Typical.

FIG. & INDEX	PART NUMBER	DESCRIPTION	QTY.	REV.	P & I REF.
8-	-	Assembly, Single Oil Filter	Ref.		OF-1
-1	553E0013	Assembly, Filter, 100 & 134 (1-1/2" connections) ⁽¹⁾	1		
	553E0015	Assembly, Filter, 177 & 222 (2" connections) ⁽¹⁾	1		
	553E0014	Assembly, Filter, 270-676 (2-1/2" connections) ⁽²⁾	1		
	553E0020	Assembly, Filter, 856 & 1080 (3" connections) ⁽²⁾	1		
-2	959A0082H01	Gasket	1		
-3	553A0001H01	Cover Plate, End	1		
-4	901A0098H13	Stud, 5/8-11 x 4.5"	8		
-5	902A0021H03	Nut, 5/8-11 UNC	16		
-6	535A0144H01	Plate, Clamping	1		
-7	959A0053H01	Gasket	1		
-8	901A0258H01	Screw, Socket Head, 3/8-16 x 1"	6		
-9	333Q0001268	Rod, Threaded, 1/2-13 x 31-1/2"	1		
-10	531B0100H02	Element, SuperFilter™ II, 28 9/16" overall length ⁽³⁾	1		
	531B0100H03	Element, SuperFilter™ II, 43 5/16" overall length ⁽³⁾	1		
	531A0218H02	Element, SuperFilter™, 14 1/2" overall length ⁽³⁾	2-3		
-11	900A0007H01	Seal, Center	1-2		
-12	900A0008H01	Yoke, Bottom	1		
-13	905A0007H05	Washer, Flat, 1/2"	1		
-14	333Q0001237	Washer, Starlock, 1/2"	1		
-15	902A0021H01	Nut, 1/2-13 UNC	2		
-16	540D0217H06	Washer, Seal, 9/16 ID x 1-7/16 OD x 1/16" Thick	1		
-17	950A0292H01	Valve, Angle, Danfoss, SC, 1/4" MPT x FPT	2		
	913A0150H05	Transducer, Pressure, 0-500 PSIA	2		PE-1,2
	649A0890H01	Connector, DIN, Restraint (standard) ⁽⁴⁾	1		
	649A0890H02	Connector, DIN, Conduit	1		
	649A0890H11	Gasket, DIN Connector ⁽⁴⁾	1		
	649D4628H01	Relief, Strain, 1/2" ⁽⁴⁾	1		
-18	950A0354H05	Valve, Angle, Danfoss, SC, 1-1/2" SW, 100 & 134 ⁽⁵⁾	1		
	950A0353H32	Spare Parts Kit, Overhaul (less stem)	1		
	950A0354H06	Valve, Angle, Danfoss, SC, 2" SW, 177 & 222 ⁽⁵⁾	1		
	950A0353H33	Spare Parts Kit, Overhaul (less stem)	1		
	950A0358H07	Valve, Angle, Danfoss, SC, 2-1/2" BW, 270-546, 496, 676 ⁽⁵⁾	1		
	950A0357H34	Spare Parts Kit, Overhaul (less stem)	1		
	950A0358H08	Valve, Angle, Danfoss, SC, 3" BW, 856 & 1080 ⁽⁵⁾	1		
	950A0357H35	Spare Parts Kit, Overhaul (less stem)	1		
-19	954A0062H02	Valve, Angle, SC, Hand Exp., 3/4" SW/FPT, 100 & 222	1		
	954A0062H27	Repair Kit, Complete (less stem)	1		
	954A0062H03	Valve, Angle, SC, Hand Exp., 1" SW/FPT, 270	1		
	954A0062H28	Repair Kit, Complete (less stem)	1		
	954A0062H04	Valve, Angle, SC, Hand Exp., 1-1/4" SW/FPT, 316 & 399	1		
	954A0062H29	Repair Kit, Complete (less stem)	1		
	954A0092H01	Valve, Angle, SC, Hand Exp., 2" BW, 480-1080 ⁽⁵⁾	1		
	950A0353H43	Spare Parts Kit, Overhaul (less stem)	1		
-20	950A0339H01	Valve, Push Button Oil Sampling	1		
-21	950A0292H03	Valve, Angle, SC, Danfoss, 1/2 MPT x 1/2 FPT	1		

1. Prior to January, 2010 contained two of 531A0218H02 element. Replaced with one 531B0100H02 after January, 2010.
2. Prior to January, 2010 contained three of 531A0218H02 element. Replaced with one 531B0100H03 after January, 2010.
3. Current SuperFilter™ II 531B0100H02, and 531B0100H03 replace earlier SuperFilter™ 531A0218H02. One 531B0100H02 replaces two of 531A0218H02. One 531B0100H03 replaces three of 531A0218H02. Required for 1-2-3 Warranty.
4. Not part of Pressure Transducer. Order separately.
5. See Danfoss Cross-Reference Chart on page 72 and 73.

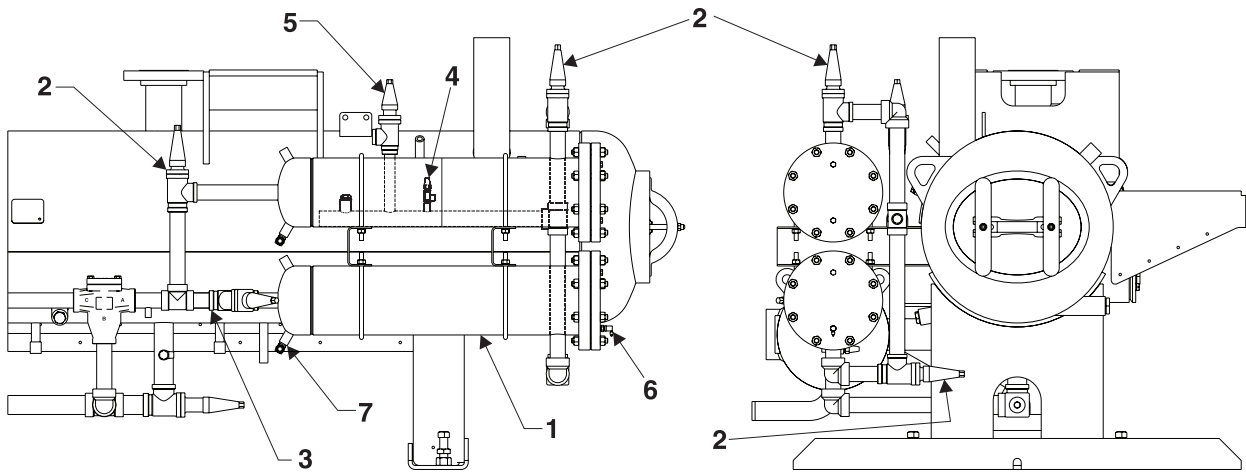


Figure 9. Dual Oil Filters, Typical (100/134 shown).

FIG. & INDEX	PART NUMBER	DESCRIPTION	QTY.	REV.	P & I REF.
9-	720M0475	Dual Oil Filters, 100 and 134	Ref.		
	720M0478	Dual Oil Filters, 177 and 222	Ref.		
	720M0479	Dual Oil Filters, 270	Ref.		
	720M0396	Dual Oil Filters, 316 & 399	Ref.		
	720M0482	Dual Oil Filters, 480 & 546	Ref.		
	720M0485	Dual Oil Filters, 496 & 676	Ref.		
	720M0487	Dual Oil Filters, 856, 1080	Ref.		
	-1	553E0013	Assembly, Filter, 100 & 134 (1-1/2" - 2 Element) (See Fig. 8)	2	
553E0015		Assembly, Filter, 177 & 222 (2" - 2 Element) (See Fig. 8)	2		
553E0014		Assembly, Filter, 270-676 (2-1/2" - 3 Element) (See Fig. 8)	2		
553E0020		Assembly, Filter, 856 & 1080 (3" - 3 Element) (See Fig. 8)	2		
-2	950A0354H05	Valve, Angle, Danfoss, SC, 1-1/2" SW, 100 & 134 ⁽²⁾	3		
	950A0353H32	Spare Parts Kit, Overhaul (less stem)	1		
	950A0354H06	Valve, Angle, Danfoss, SC, 2" SW, 177 & 222 ⁽²⁾	3		
	950A0353H33	Spare Parts Kit, Overhaul (less stem)	1		
	950A0358H07	Valve, Angle, Danfoss, SC, 2-1/2" BW, 270-676 ⁽²⁾	3		
	950A0357H34	Spare Parts Kit, Overhaul (less stem)	1		
	950A0358H08	Valve, Angle, Danfoss, SC, 3" BW, 856 & 1080 ⁽²⁾	3		
	950A0357H35	Spare Parts Kit, Overhaul (less stem)	1		
-3	950A0360H05	Valve, Globe, Danfoss, SC, 1-1/2" SW, 100 & 134 ⁽²⁾	1		
	950A0353H32	Spare Parts Kit, Overhaul (less stem)	1		
	950A0359H06	Valve, Globe, Danfoss, SC, 2" SW, 177 & 222 ⁽²⁾	1		
	950A0353H33	Spare Parts Kit, Overhaul (less stem)	1		
	950A0364H07	Valve, Globe, Danfoss, SC, 2-1/2" BW, 270-676 ⁽²⁾	1		
	950A0357H34	Spare Parts Kit, Overhaul (less stem)	1		
	950A0364H08	Valve, Globe, Danfoss, SC, 3" BW, 856 & 1080 ⁽²⁾	1		
	950A0357H35	Spare Parts Kit, Overhaul (less stem)	1		
-4	950A0292H01	Valve, Angle, Danfoss, SC, 1/4" NPT	2		
	913A0150H05	Transducer, Pressure, 0-500 PSIA	2		
	649A0890H01	Connector, DIN, Restraint (standard) ⁽¹⁾	1		
	649A0890H02	Connector, DIN, Conduit	1		
	649A0890H11	Gasket, DIN Connector ⁽¹⁾	1		
	649D4628H01	Relief, Strain, 1/2" ⁽¹⁾	1		
-5	954A0062H02	Valve, Angle, SC, Hand Exp., 3/4" SW/FPT, 100-222	1		
	954A0062H27	Repair Kit, Complete (less stem)	1		
	954A0062H03	Valve, Angle, SC, Hand Exp., 1" SW/FPT, 270	1		
	954A0062H28	Valve Repair Kit, Complete (less stem)	1		
	954A0062H04	Valve, Angle, SC, Hand Exp., 1-1/4" SW/FPT, 316 & 399	1		
	954A0062H29	Valve Repair Kit, Complete (less stem)	1		
	954A0092H01	Valve, Angle, SC, Hand Exp., 2" BW, 480-1080 ⁽²⁾	1		
	950A0353H43	Spare Parts, Overhaul (less stem)	1		
-6	950A0339H01	Valve, Push Button Oil Sampling	2		
-7	950A0292H03	Valve, Angle, SC, Danfoss, 1/2 MPT x 1/2 FPT	1		

1. Not part of Pressure Transducer. Order separately.
2. See Danfoss Cross-Reference Chart on page 72 and 73.

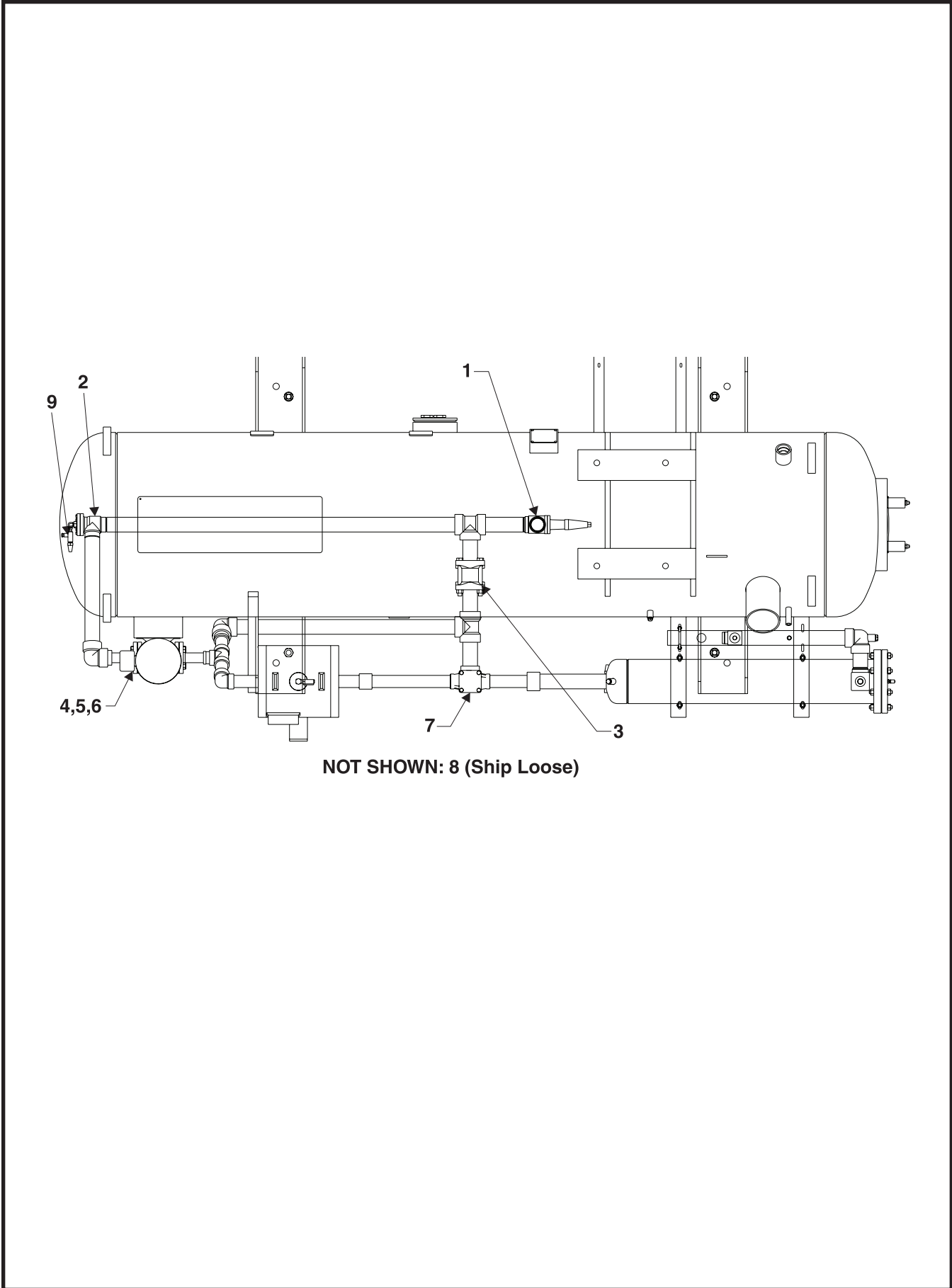
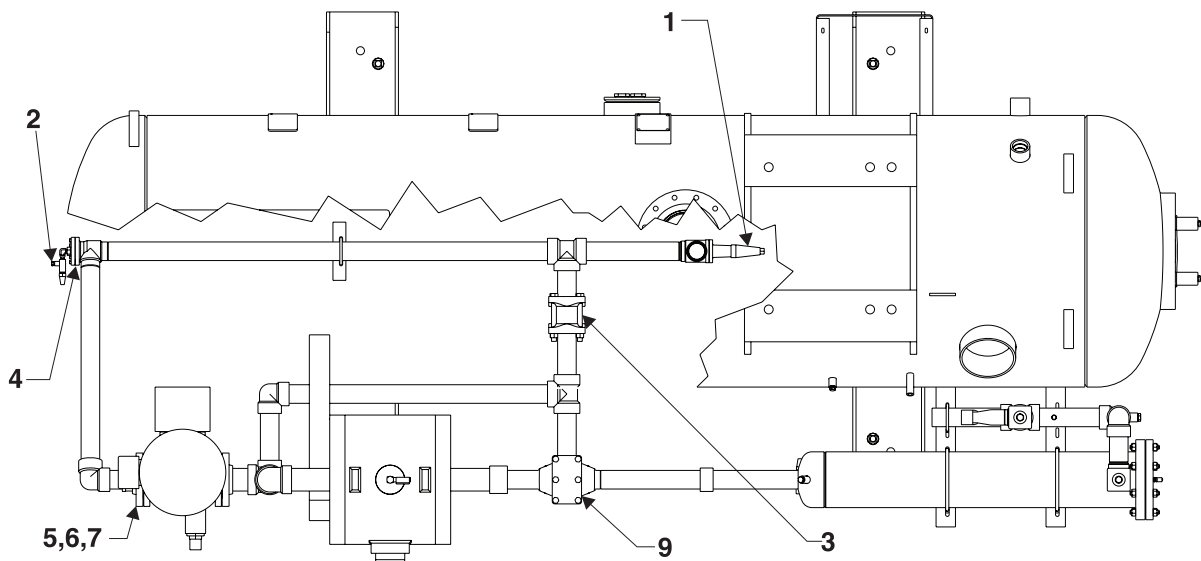


Figure 10. Oil Cooler Piping, Typical, 100-546.

FIG. & INDEX	PART NUMBER	DESCRIPTION	QTY.	REV.	P & I REF.
10-	720M0437	Plate Oil Cooler w/Pump & Temp. Control Valve, 100-134	Ref.		
	720M0438	Plate Oil Cooler w/Pump & Temp. Control Valve, 177-222	Ref.		
	720M0440	Plate Oil Cooler w/Pump & Temp. Control Valve, 270	Ref.		
	720M0458	Plate Oil Cooler w/Pump & Temp. Control Valve, 316-399	Ref.		
	720M0467	Plate Oil Cooler w/Pump & Temp. Control Valve, 480-546	Ref.		
-1	950A0354H06	Valve, Angle, Danfoss, Shutoff, 2" SW, SC ⁽¹⁾	1		
	950A0353H33	Spare Parts Kit, Overhaul (less stem)	1		
	950A0358H07	Valve, Angle, Danfoss, Shutoff, 2-1/2" BW, SC ⁽¹⁾	1		
	950A0357H34	Spare Parts Kit, Overhaul (less stem)	1		
-2	950A0320H05	Strainer, Angle, 1-1/2", SW	1		
	950A0320H15	Kit, Strainer & Gasket, 1-1/2"	1		
	950A0320H06	Strainer, Angle, 2", SW	1		
	950A0320H16	Kit, Strainer & Gasket, 2"	1		
	950A0329H01	Valve, Angle, 2-1/2" BW	1		
	950A0329H11	Kit, Strainer & Gasket, 2-1/2"	1		
-3	956A0012G03	Valve, Check, 1-1/2" SW	1		
	956A0012G01	Valve, Check, 2" SW	1		
	956A0012G05	Valve, Check, 2-1/2" SW	1		
-4	944A0108H05	Flange, 1-1/2" SW, 300#	2		
	944A0108H07	Flange, 2-1/2" SW, 300#	2		
	944A0108H08	Flange, 3" SW, 300#	2		
-5	959A0054H25	Gasket, 1-1/2" SW, 300# Flange	2		
	959A0054H27	Gasket, 2-1/2" SW, 300# Flange	2		
	959A0054H28	Gasket, 3" SW, 300# Flange	2		
-6	901A0172H03	Kit, Flange Bolt, 1-1/2", 300#	2		
	901A0172H05	Kit, Flange Bolt, 2-1/2", 300#	2		
	901A0172H06	Kit, Flange Bolt, 3", 300#	2		
-7	950A0294H01	Valve, Temperature Control, 1-1/2"	1		
	950A0294H11	Kit, Service, Temperature Control Valve, 1-1/2 & 2" *	1		
	950A0294H02	Valve, Temperature Control, 2"	1		
	950A0294H11	Kit, Service, Temperature Control Valve, 1-1/2 & 2" *	1		
	950A0297H01	Valve, Temperature Control, 2-1/2"	1		
	950A0297H11	Kit, Service, Temperature Control Valve, 2-1/2" *	1		
-8	950A0328H06	Strainer, Straight, 2", Danfoss, SW	1		
	950A0320H16	Service Kit, 2", Strainer Element and Cover Gasket	1		
	950A0330H02	Strainer, Straight, 3", Danfoss, BW	1		
	950A0329H12	Service Kit, 3", Strainer Element and Cover Gasket	1		
-9	950A0292H01	Valve, Angle, Danfoss, 1/4" MPT x FPT, SC	1		

* Kit includes thermostat and gasket

1. See Danfoss Cross-Reference Chart on page 72 and 73.



NOT SHOWN: 8 (Ship Loose)

Figure 11. Oil Cooler Piping, Typical, 496-1080.

FIG. & INDEX	PART NUMBER	DESCRIPTION	QTY.	REV.	P & I REF.
11-	720M0469 720M0470	Plate Oil Cooler w/Pump & Temp. Control Valve, 496 & 676 Plate Oil Cooler w/Pump & Temp. Control Valve, 856 & 1080	Ref. Ref.		
-1	950A0358H07 950A0357H34 950A0358H08 950A0357H35	Valve, Angle, Danfoss, 2-1/2", BW, SC ⁽¹⁾ Spare Parts Kit, Overhaul (less stem) Valve, Angle, Danfoss, 3", BW, SC ⁽¹⁾ Spare Parts Kit, Overhaul (less stem)	1 1 1 1		
-2	950A0292H01	Valve, Angle, Danfoss, 1/4" MPT x FPT, SC	1		
-3	956A0012G05 956A0012G02	Valve, Check, R/S, 2-1/2", SW Valve, Check, R/S, 3", SW	1 1		
-4	950A0329H01 950A0329H11 950A0329H02 950A0329H12	Strainer, 3", SW, Danfoss Kit, Service, Strainer Element & Gasket Strainer, 3", BW, Danfoss Kit, Service, Strainer Element & Gasket	1 1 1 1		
-5	944A0108H08	Flange, 3" SW, 300#	2		
-6	959A0054H28	Gasket, 3" SW, 300# Flange	2		
-7	901A0172H06	Kit, Flange, Bolt, 3", 300#	2		
-8	950A0328H06 950A0320H16 950A0330H02 950A0329H12 950A0330H03 950A0329H13	Strainer, Straight, 2", Danfoss, SW Kit, Service, 2", Strainer Element & Cover Gasket Strainer, Straight, 3", Danfoss, BW Kit, Service, 3", Strainer Element & Cover Gasket Strainer, Straight, 4", Danfoss, BW Service Kit, 4", Strainer Element & Cover Gasket	1 1 1 1 1 1		
-9	950A0294H02 950A0294H11 950A0297H01 950A0297H11	Valve, Temperature Control, 2" SW Kit, Service, Temperature Control Valve, 1-1/2 & 2" * Valve, Temperature Control, 2-1/2" SW Kit, Service, Temperature Control Valve, 2-1/2" *	1 1 1 1		
		* Kit includes thermostat and gasket			
		1. See Danfoss Cross-Reference Chart on page 72 and 73.			

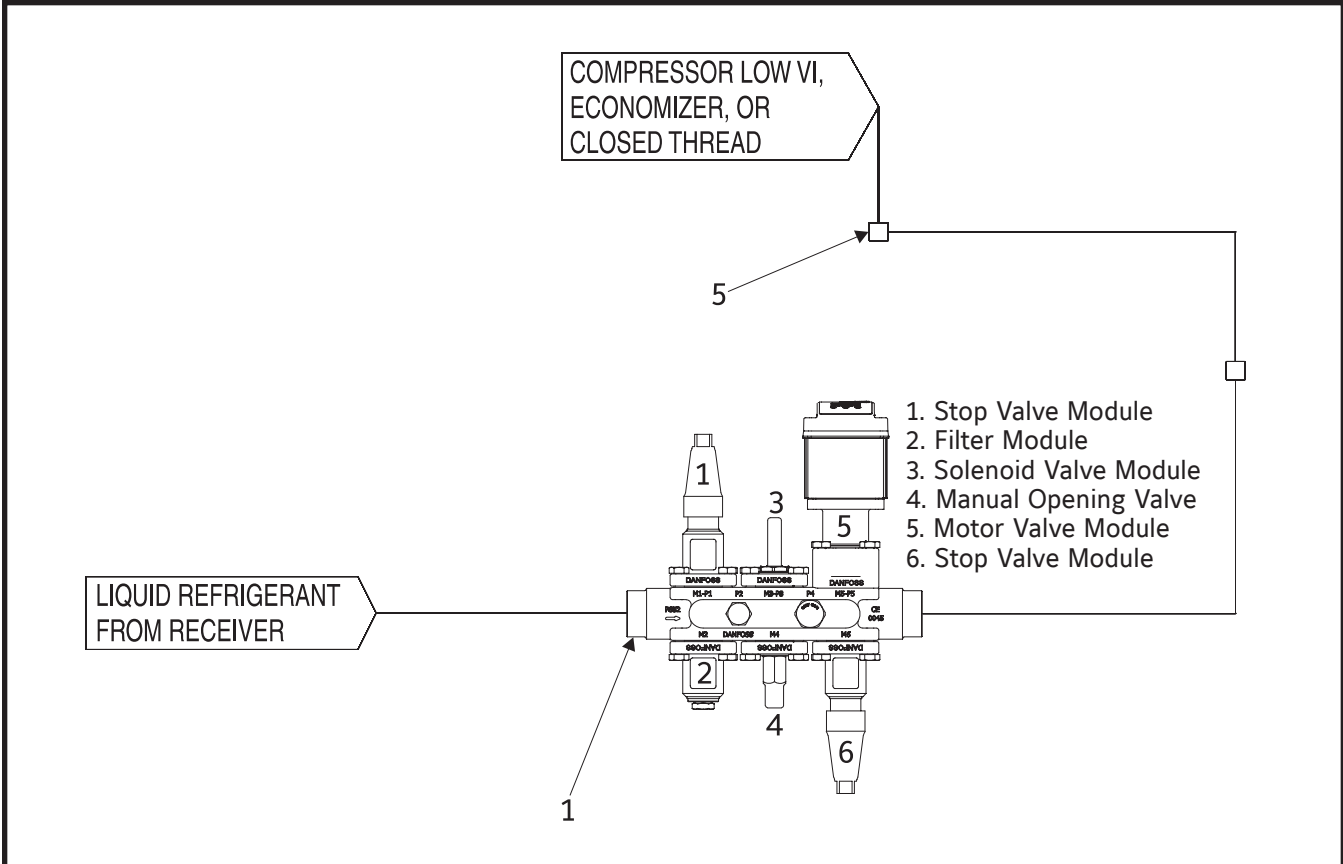


Figure 12a. Liquid Injection, Single Port/Booster.

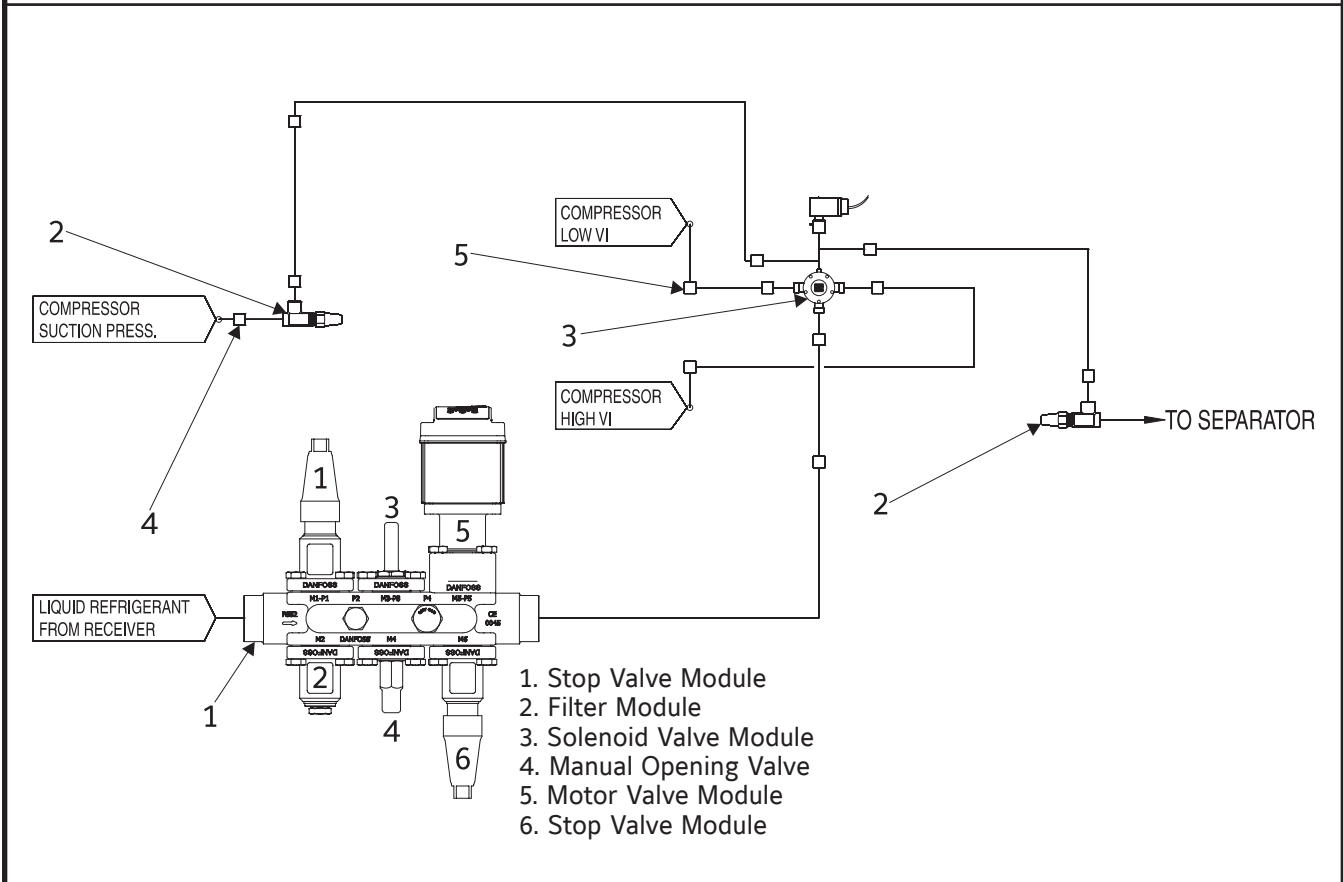


Figure 12b. Liquid Injection, Dual Port.

Figure 12. Liquid Injection.

FIG. & INDEX	PART NUMBER	DESCRIPTION	QTY.	REV.	P & I REF.
12-	720M0275 720M0314 720M0433	Liquid Injection, Socket Weld Liquid Injection, Oil Piping Liquid Injection Kit	Ref. Ref. Ref.		
-1	950A0327H01 950A0327H02 950A0327H03 950A0327H11 950A0232H31 950A0327H13 950A0327H14 950A0327H15 950A0327H16 950A0293H01 950A0293H02 950A0293H03 640D0121H01 950A0327H17 954A0070H19 DAN027H0427 950A0327H22 950A0292H02	Valve and Motor Assembly, ICF 20A, 3/4" SW (R-717) Valve and Motor Assembly, ICF 20B, 3/4" SW (R-717) Valve and Motor Assembly, ICF 20C, 1" SW (R-717) Module, Stop Valve, ICFS 20 ⁽¹⁾ Gland, Packing, ICFS 20 Handwheel, ICFS 20 Gasket Kit, Bonnet Element, Filter, ICFF Module, Solenoid Valve, ICFE 20 ⁽¹⁾ Coil, 240 AC, 60 Hz (not shown) ⁽²⁾ Coil, 120 AC, 60 Hz (not shown) ⁽²⁾ Coil, 24 DC, 60 Hz (not shown) ⁽²⁾ Cable Assembly Module, Manual Opening, ICFO 20 ⁽¹⁾ Actuator, ICAD 600 (motor) Cable, Actuator Sight Glass, 3/8" NPT Valve, Bleed, 3/8" MPT x 3/8" FPT (not shown)	1 1 1 2 2 2 6 1 1 1 1 1 1 1 1 1 1 1 2 1		
-2	950A0292H01	Valve, Angle, SC, Danfoss, 1/4" MPT x 1/4" FPT	1		
-3	951A0053G01 951A0053H01 951A0054H01 951A0053G11 951A0053G01 944A0117H01	Valve, Solenoid, 3-Way, R-717, R-22 (Plus Fittings) Valve, Solenoid, 3-Way, Less Coil (Plus Fittings) Coil, 120V Repair Kit consisting of: Valve, Solenoid, 3-Way, R-717, R-22 Fitting, Connector, Female	1 1 1 1 1 1		
-4	980A0012K60	O-ring, Reducer	1		
-5	980A0012K66 980A0012K69	O-ring, Elbow O-ring, Elbow	1 1		
<p>1. Modules include a gasket and 4 bolts. 2. Coil sold separately from valve assembly.</p>					

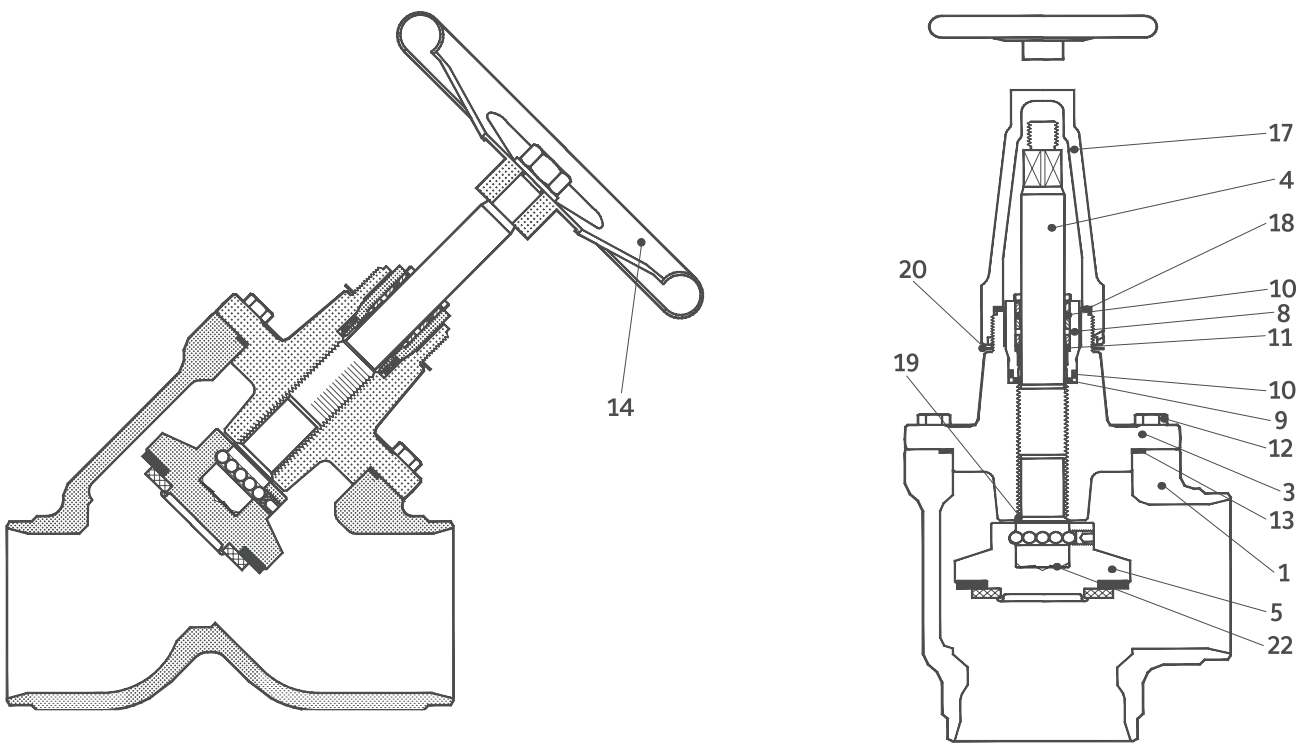


Figure 13. 4-6" Suction/Discharge Stop Valve.

FIG. & INDEX	PART NUMBER	DESCRIPTION	QTY.	REV.	P & I REF.
13-	950A0357 950A0358	4-6" Suction/Discharge Stop Valve, HW (See chart below) 4-6" Suction/Discharge Stop Valve, SC (See chart below)			
-1	-	Housing			
-3	-	Valve Bonnet			
-4	-	Spindle			
-5	Kit 1	Cone Assembly, Allen Key			
-8	Kit 1, 2	Packing Gland			
-9	Kit 1, 4	Packing Washer			
-10	Kit 1, 4	O-ring			
-11	Kit 1, 4	Spring Loaded Teflon Ring			
-12	-	Bolts			
-13	Kit 1, 4	Gasket			
-14	Kit 3	Handwheel, Washer, Nut			
-17	Kit 3	Cap			
-18	Kit 3	Cap Gasket			
-19	Kit 1	Soft Backseat			
-20	-	Identification Ring			
-22	Kit 1	Disk Spring			

4-6" SUCTION/DISCHARGE STOP VALVE						
VALVE	DESCR.	SIZE	1. OVERHAUL KIT ⁽¹⁾	2. REPAIR KIT ⁽²⁾	3. HW/SC KIT ⁽³⁾	4. INSPECTION KIT ⁽⁴⁾
950A0357H09	BW - HW	4	950A0357H36	950A0357H46	950A0357H55	950A0357H26
950A0357H10	BW - HW	5	950A0357H37	950A0357H47	950A0357H56	950A0357H27
950A0357H11	BW - HW	6	950A0357H38	950A0357H48	950A0357H56	950A0357H28
950A0358H09	BW - SC	4	950A0357H36	950A0357H46	950A0358H63	950A0357H26
950A0358H10	BW - SC	5	950A0357H37	950A0357H47	950A0358H64	950A0357H27
950A0358H11	BW - SC	6	950A0357H38	950A0357H48	950A0358H64	950A0357H28

1. Consists of cone assembly incl. steel balls and Allen key, packing washer, O-ring, spring loaded teflon ring, gasket, soft backseat, disk spring.
2. Consists of packing gland, packing washer, bonnet gasket, cap gasket.
3. HW Kit Consists of handwheel, washer, nut. SC Kit consists of seal cap and gasket.
4. Consists of packing washer, bonnet gasket, seal cap gasket, bonnet O-ring.
5. See Danfoss Cross-Reference Chart on page 72 and 73.

DISCHARGE STOP VALVE SIZE & APPLICATION		
APPLICATION	SIZE	STOP VALVE
HIGH STAGE HW	4	950A0357H09
HIGH STAGE SC	4	950A0358H09
BOOSTER HW	4	950A0357H09
BOOSTER SC	4	950A0358H09
HIGH STAGE HW	5	950A0357H10
HIGH STAGE SC	5	950A0358H10
BOOSTER HW	5	950A0357H10
BOOSTER SC	5	950A0358H10
HIGH STAGE HW	6	950A0357H11
HIGH STAGE SC	6	950A0358H11
BOOSTER HW	6	950A0357H11
BOOSTER SC	6	950A0358H11

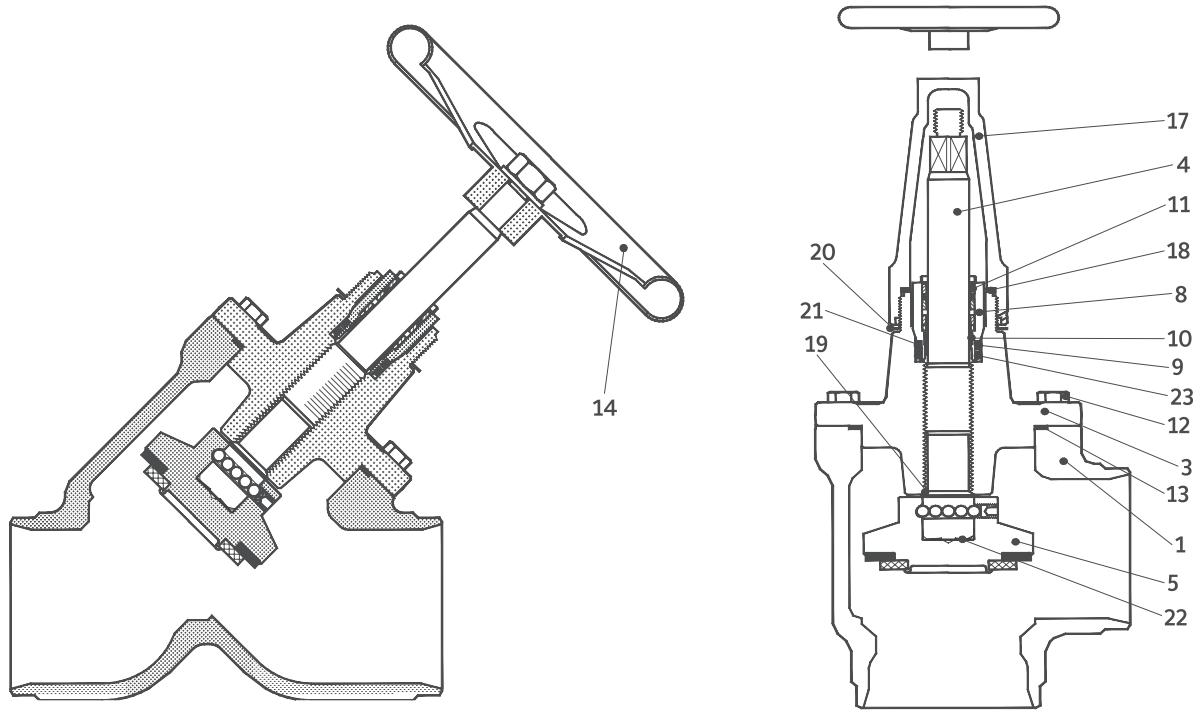


Figure 14. 8" Suction/Discharge Stop Valve.

FIG. & INDEX	PART NUMBER	DESCRIPTION	QTY.	REV.	P & I REF.
14-	950A0357 950A0358	8" Suction/Discharge Stop Valve, HW (See chart below) 8" Suction/Discharge Stop Valve, SC (See chart below)			
-1	-	Housing			
-3	-	Valve Bonnet			
-4	-	Spindle			
-5	Kit 1	Cone Assembly, Allen Key			
-8	Kit 1, 2	Packing Gland			
-9	Kit 1, 4	O-ring			
-10	Kit 1, 4	Spring Loaded Teflon Ring			
-11	Kit 1, 2	O-ring			
-12	-	Bolts			
-13	Kit 1, 4	Gasket			
-14	Kit 3	Handwheel, Washer, Nut			
-17	Kit 3	Cap			
-18	Kit 3, 4	Cap Gasket			
-19	Kit 1	Soft Backseat			
-20	-	Identification Ring			
-21	Kit 1, 4	Wear Ring			
-22	Kit 1	Disk Spring			
-23	Kit 1, 4	O-ring			

8" SUCTION/DISCHARGE STOP VALVE						
VALVE	DESCR.	SIZE	1. OVERHAUL KIT ⁽¹⁾	2. REPAIR KIT ⁽²⁾	3. HW/SC KIT ⁽³⁾	4. INSPECTION KIT ⁽⁴⁾
950A0357H12	BW - HW	8	950A0357H39	950A0357H49	950A0357H57	950A0357H29
950A0358H12	BW - SC	8	950A0357H39	950A0357H49	950A0358H65	950A0357H29

1. Consists of cone assembly incl. steel balls and Allen key, soft backseat, disk spring, Repair Kit including Inspection Kit.
2. Consists of packing gland, packing gland, Inspection Kit.
3. HW Kit consists of handwheel, washer, nut. SC Kit consists of seal cap and gasket.
4. Consists of bonnet gasket, seal cap gasket, O-rings 9 & 23.
5. See Danfoss Cross-Reference Chart on page 72 and 73.

DISCHARGE STOP VALVE SIZE & APPLICATION		
APPLICATION	SIZE	STOP VALVE
HIGH STAGE HW	8	950A0357H12
HIGH STAGE SC	8	950A0358H12
BOOSTER HW	8	950A0357H12
BOOSTER SC	8	950A0358H12

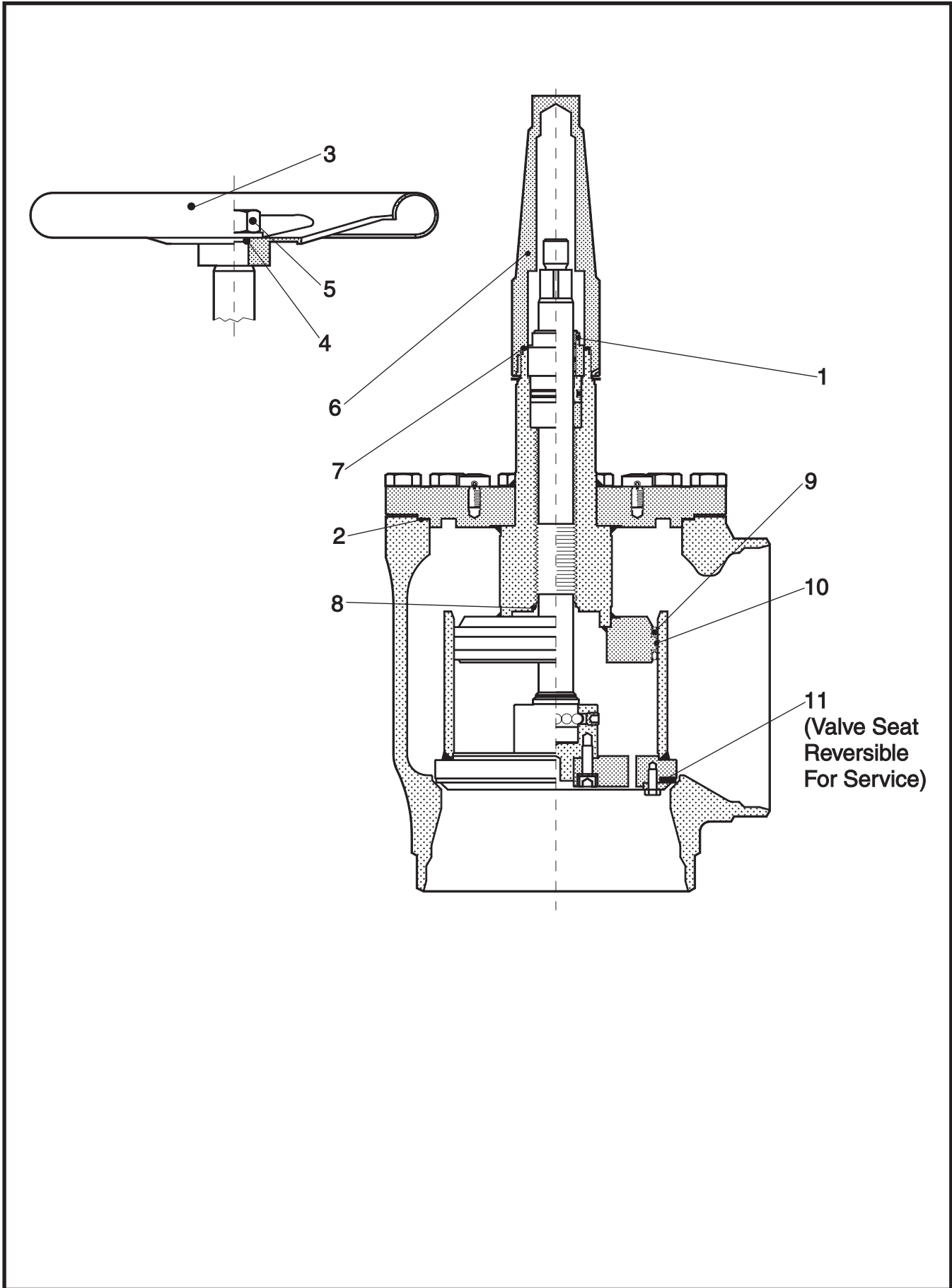


Figure 15. 10-12" Suction/Discharge Stop Valve, Danfoss.

FIG. & INDEX	PART NUMBER	DESCRIPTION	QTY.	REV.	P & I REF.
15-	950A0283 950A0284	10-12" Suction/Discharge Stop Valve, HW Danfoss 10-12" Suction/Discharge Stop Valve, SC Danfoss	Ref. Ref.		
-1	Kit 1, 2	Packing Gland Complete			
-2	Kit 1	Gasket for Bonnet			
-3	Kit 4	Handwheel			
-4	Kit 4	Washer			
-5	Kit 4	Nut			
-6	Kit 4, 5	Cap			
-7	Kit 1, 5	Gasket			
-8	Kit 1, 5	Gasket for backseat			
-9	Kit 1, 3	Gasket for Cone (U-sleeve)			
-10	Kit 1, 3	Wear Ring for Cone			
-11	Kit 1, 3	Gasket for Cone (valve seat) (Note - Valve Seat is reversible for service)			

10-12" SUCTION/DISCHARGE STOP VALVE							
VALVE	DESCR.	SIZE	1. COMPLETE SPARES KIT ⁽¹⁾	2. PACKING GLAND KIT ⁽²⁾	3. CONE KIT ⁽³⁾	4. HW/SC KIT ⁽⁴⁾	5. CAP & BONNET KIT ⁽⁵⁾
950A0283H01	BW - HW	10	950A0283H21	950A0283H31	950A0283H41	950A0283H51	N/A
950A0283H02	BW - HW	12	950A0283H22	950A0283H31	950A0283H42	950A0283H52	N/A
950A0284H01	BW - SC	10	950A0283H21	950A0283H31	950A0284H41	950A0284H61	950A0284H51
950A0284H02	BW - SC	12	950A0283H22	950A0283H31	950A0284H42	950A0284H61	950A0284H52

1. Consists of Packing Gland complete, Five Gaskets, Wear Ring for Cone.
2. Consists of Packing Gland complete.
3. Consists of Gasket for Cone (u-sleeve), Wear ring for Cone, Gasket for Cone (valve seat)
4. HW Kit Consists of Handwheel, Washer, and Nut. SC Kit consists of Cap and Gasket.
5. Consists of Cap and Gasket, and Gasket for backseat.

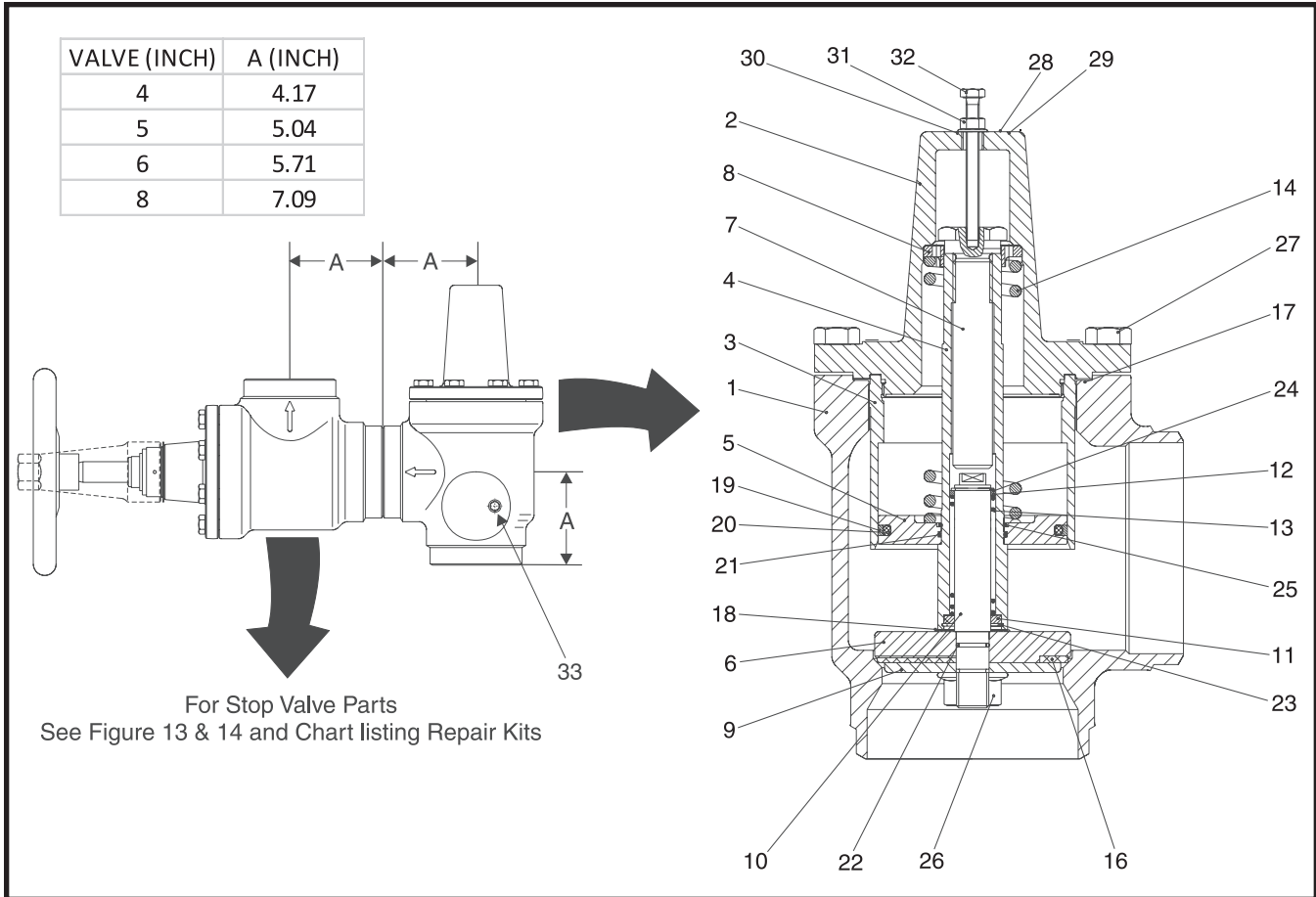


Figure 16. 4-8" Discharge Check Valve, Current (Danfoss).

CHECK VALVE ONLY (See Index next page)						
VALVE	APPLICATION	SIZE	BONNET GASKET	SEAL KIT ⁽¹⁾	14.5 PSI SPRING KIT ⁽²⁾	29 PSI SPRING KIT ⁽²⁾
956A0045H01	HIGH STAGE	4	956A0045H11	956A0045H12	N/A	956A0045H14
956A0045H02	BOOSTER	4	956A0045H11	956A0045H12	956A0045H15	N/A
956A0046H01	HIGH STAGE	5	956A0046H11	956A0046H12	N/A	956A0046H14
956A0046H02	BOOSTER	5	956A0046H11	956A0046H12	956A0046H15	N/A
956A0047H01	HIGH STAGE	6	956A0047H11	956A0047H12	N/A	956A0047H14
956A0047H02	BOOSTER	6	956A0047H11	956A0047H12	956A0047H15	N/A
956A0048H01	HIGH STAGE	8	956A0048H11	956A0048H12	N/A	956A0048H14
956A0048H02	BOOSTER	8	956A0048H11	956A0048H12	956A0048H15	N/A

1. Consists of Teflon Ring, Housing Gasket, Nylon Washer, Glyde Ring, and 3 O-rings.
2. Consists of Spring, Marking Plate, and Rivet.

FIG. & INDEX	PART NUMBER	DESCRIPTION	QTY.	REV.	P & I REF.
16-	-	4-8" Discharge Check Valve, Class 300	Ref.		
	-	Check Valve (See Chart previous page and below)	Ref.		
-1	-	Housing	1		
-2	-	Bonnet	1		
-3	-	Piston Cylinder	1		
-4	-	Piston Rod	1		
-5	-	Piston	1		
-6	-	Cone	1		
-7	-	Spring Screw	1		
-8	-	Spring Bushing	1		
-9	-	Cone Plate	1		
-10	-	Cone Rod	1		
-11	-	Rear Bushing	1		
-12	-	Front Bushing	1		
-13	-	Spring	1		
-14	Spring Kit*	Spring	1		
-15	-	Plug (not shown)	1		
-16	Seal Kit*	Teflon Ring	1		
-17	Seal Kit*	Bonnet Gasket	1		
-18	Seal Kit*	Nylon Washer	1		
-19	Seal Kit*	Glyde Ring	1		
-20	Seal Kit*	O-Ring	1		
-21	Seal Kit*	O-Ring	1		
-22	Seal Kit*	O-Ring	1		
-23	-	Spring Ring	1		
-24	-	Spring Ring	1		
-25	-	Spring Ring	1		
-26	-	Nut	1		
-27	-	Set Screw	A/R		
-28	Spring Kit*	Marking Plate	1		
-29	Spring Kit*	Rivet	1		
-30	-	Washer	1		
-31	-	Nut	1		
-32	-	Screw	1		
-33	950A0292H01	Valve, Angle, SC, Danfoss, 1/4" MPT x 1/4" FPT	1		

* See Check Valve Chart, previous page.

DISCHARGE CHECK VALVE APPLICATION & SIZE		
APPLICATION	SIZE	CHECK VALVE
HIGH STAGE HW	4	956A0045H01
HIGH STAGE SC	4	956A0045H01
BOOSTER HW	4	956A0045H02
BOOSTER SC	4	956A0045H02
HIGH STAGE HW	5	956A0046H01
HIGH STAGE SC	5	956A0046H01
BOOSTER HW	5	956A0046H02
BOOSTER SC	5	956A0046H02
HIGH STAGE HW	6	956A0047H01
HIGH STAGE SC	6	956A0047H01
BOOSTER HW	6	956A0047H02
BOOSTER SC	6	956A0047H02
HIGH STAGE HW	8	956A0048H01
HIGH STAGE SC	8	956A0048H01
BOOSTER HW	8	956A0048H02
BOOSTER SC	8	956A0048H02

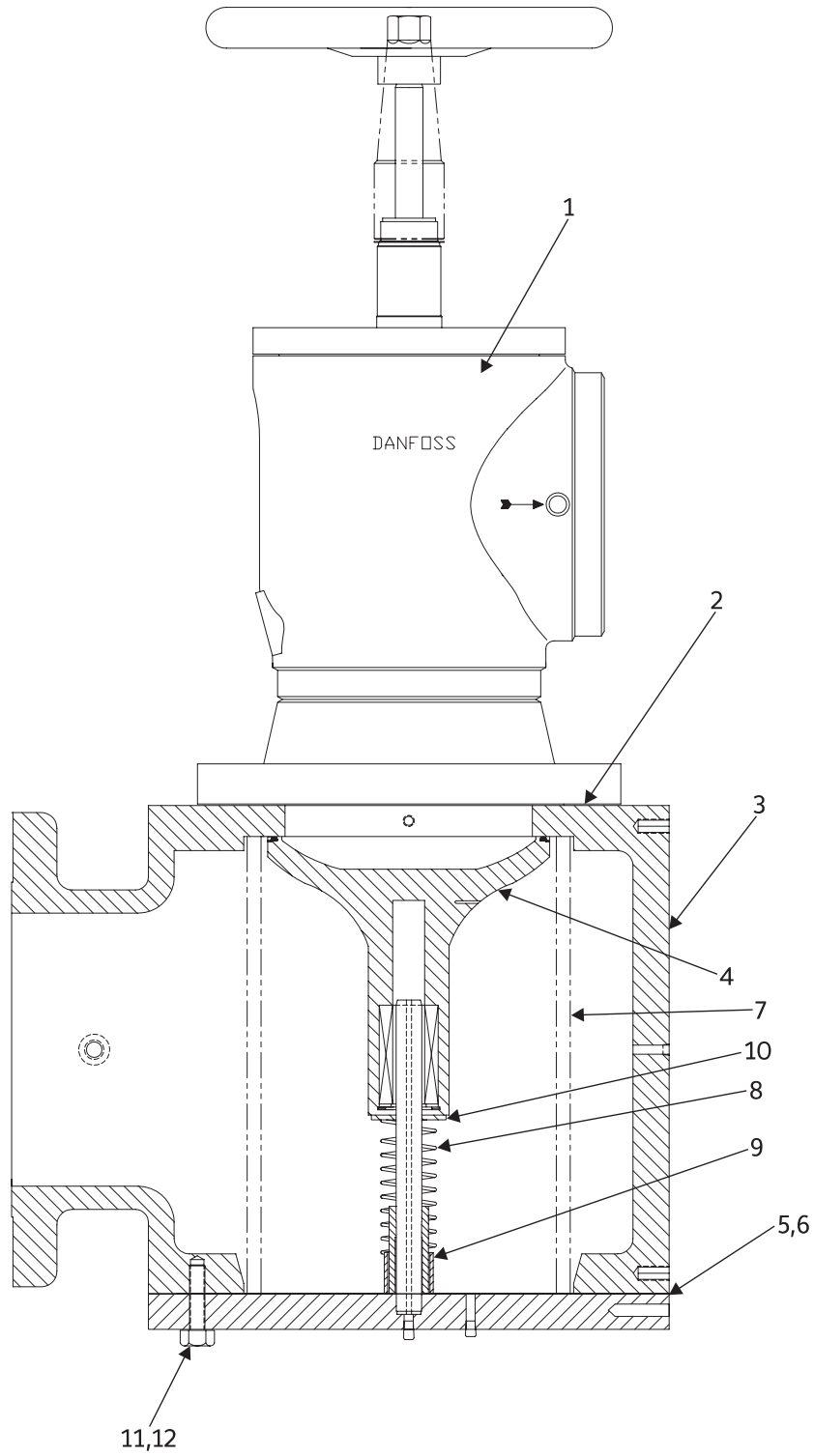


Figure 17. Multivalve, 496 & 676.

FIG. & INDEX	PART NUMBER	DESCRIPTION	QTY.	REV.	P & I REF.
17-	535D0549G01 535D0549G02	Assembly, Multivalve, 12" In x 14" Out, 300 Class, HW Assembly, Multivalve, 12" In x 14" Out, 300 Class, SC	Ref. Ref.		
-1	950A0286G01 950A0283H02 950A0286G02 950A0284H02 901A0050D02 905A0013H10	Valve, Angle, 12", HW - Flanged Assembly Valve, Angle, 12", HW ⁽¹⁾ Valve, Angle, 12", SC - Flanged Assembly Valve, Angle, 12", SC ⁽¹⁾ Capscrew, Hex Head, 1-1/8 NC x 3-1/4" LG. (not shown) Lock Washer, 1-1/8" (not shown)	1 1 1 1 16 16		
-2	959A0062H26	Gasket, Multi-Valve, 12"	1		
-3	535D0548G01	Suction Trap Body, 12"	1		
-4	580B0240G08 111Q0452525 580B0243G01 111Q0019410 580A0235H03 580B0243H01 580C0264C01 581A0026H04 980A0012H87	Assembly, Sliding Button Ring, Retaining Assembly, Bearing Mount Liner, Split Body, Bearing Button Washer, Seal O-ring	1 1 1 2 2 1 1 1 1		
-5	580B0246G09 580A0232H02 580B0273H08 580C0394H01 944A0008H02	Subassembly, End Cover Spacer Shaft Cover, End Plug, Pipe, 1/4"	1 1 1 1 2		
-6	959A0061H05	Gasket, End Cover	1		
-7	580C0269H01	Strainer, Double Screen	1		
-8	580A0230H01	Spring, Return	1		
-9	580A0234H02	Adjuster, Spring	1		
-10	111Q0940164	Washer	1		
-11	901A0048D09	Cap Screw, Hex Head, 7/8" NC x 3" Long	20		
-12	905A0013H08	Washer, Lock, 7/8"	20		

1. See Figure 14 for service parts kits.

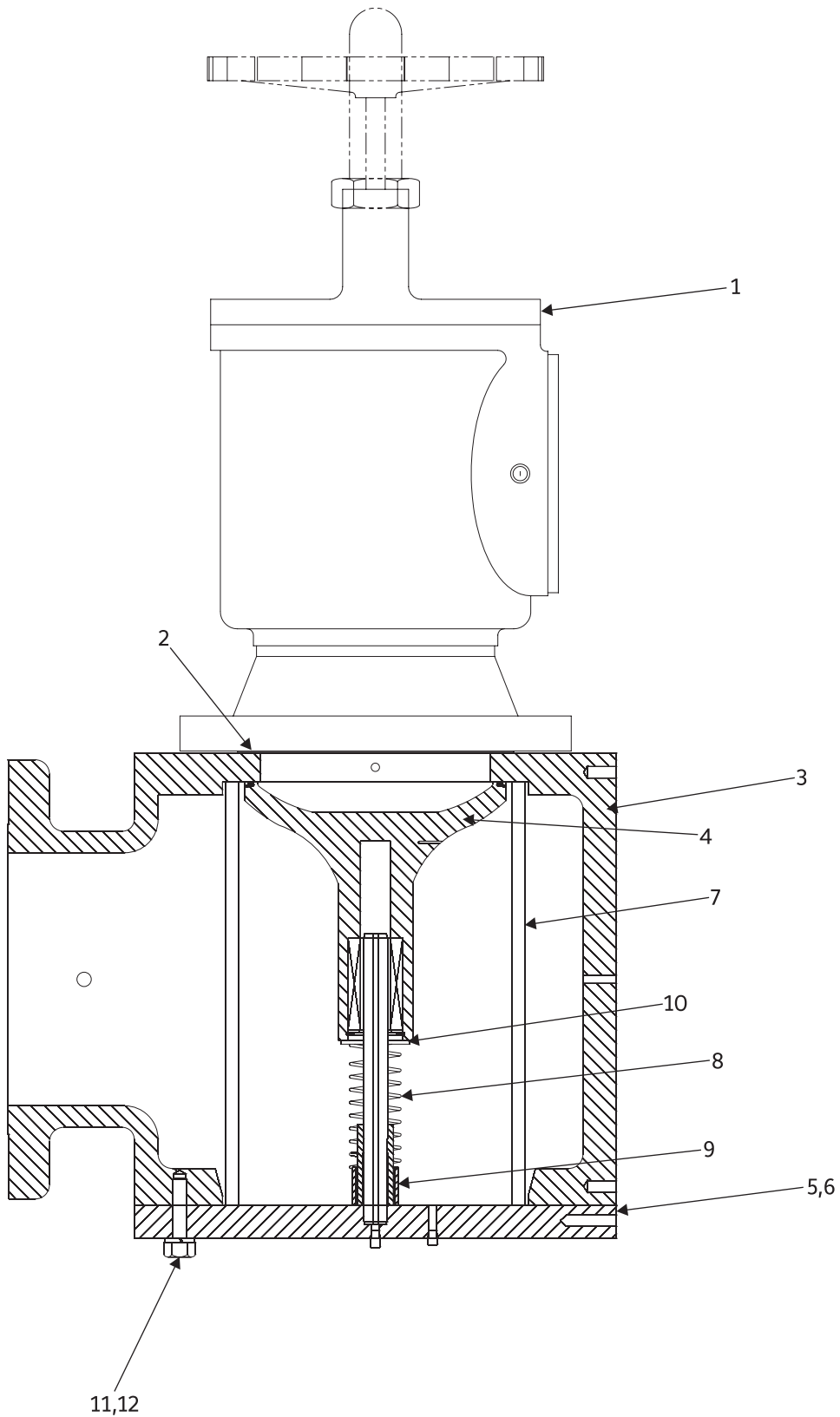


Figure 18. Multivalve, 856 & 1080.

FIG. & INDEX	PART NUMBER	DESCRIPTION	QTY.	REV.	P & I REF.
18-	535D0553G01	Assembly, Multivalve, 14" In x 14" Out, 300 Class, HW	Ref.		
-1	950A0185G01	Valve, Angle, 14", HW - Flanged Assbly.	1		
	950A0169G01	Valve, Angle, 14", HW, Hansen ⁽¹⁾	1		
	901A0050D02	Capscrew, Hex Head, 1-1/8 NC x 3-1/4" LG. (not shown)	20		
	905A0013H10	Lock Washer, 1-1/8" (not shown)	20		
-2	959A0062H27	Gasket, Multi-Valve, 14"	1		
-3	535D0193C04	Body, Suction Trap, 14"	1		
-4	580B0240G08	Assembly, Sliding Button	1		
	111Q0452525	Ring, Retaining	1		
	580B0243G01	Assembly, Bearing	1		
	111Q0019410	Mount	2		
	580A0235H03	Liner, Split	2		
	580B0243H01	Body, Bearing	1		
	580C0264C01	Button	1		
	581A0026H04	Washer, Seal	1		
	980A0012H87	O-ring	1		
-5	580B0246G09	Subassembly, End Cover	1		
	580A0232H02	Spacer	1		
	580B0273H08	Shaft	1		
	580C0394H01	Cover, End	1		
	944A0008H02	Plug, Pipe, 1/4"	2		
-6	959A0061H05	Gasket, End Cover	1		
-7	580C0269H01	Strainer, Double Screen	1		
-8	580A0230H01	Spring, Return	1		
-9	580A0234H02	Adjuster, Spring	1		
-10	111Q0940164	Washer	1		
-11	901A0048D09	Cap Screw, Hex Head, 7/8" NC x 3" Long	20		
-12	905A0013H08	Washer, Lock, 7/8"	20		
1. Contact factory for service information.					

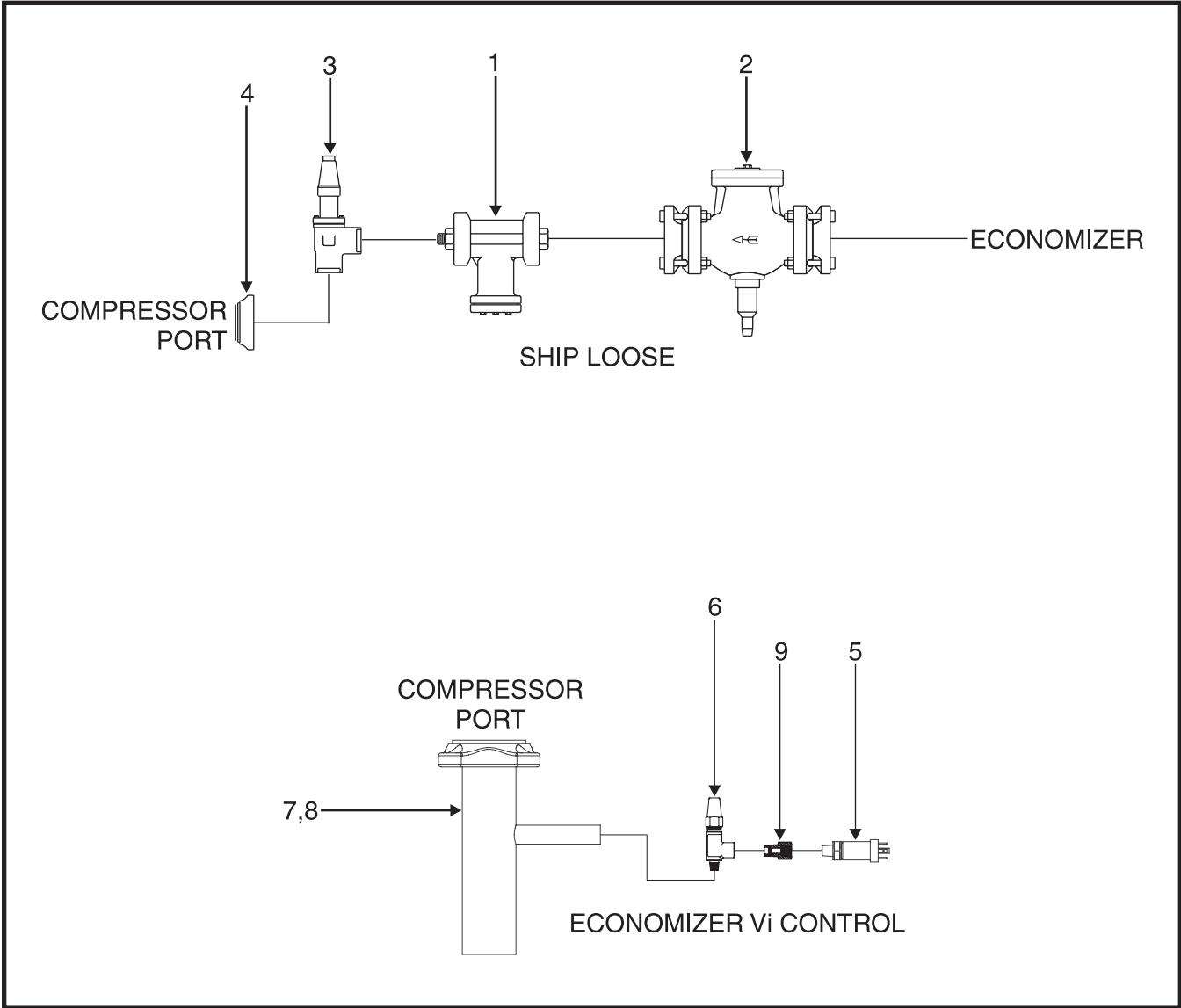


Figure 19. Economizer.

FIG. & INDEX	PART NUMBER	DESCRIPTION	QTY.	REV.	P & I REF.
19-	535M0001G03	Kit, Economizer, 100 & 134	Ref.		
	535M0001G04	Kit, Economizer, 177 - 270	Ref.		
	535M0001G06	Kit, Economizer, 316 & 399	Ref.		
	535M0001G07	Kit, Economizer, 480 & 546	Ref.		
	535M0001G05	Kit, Economizer, 496 & 676	Ref.		
-1	950A0001H08	Strainer, 1½", 100 & 134	1		
	950A0001H27	Kit, Repair (includes screen, spring & gasket)	1		
	950A0001H40	Gasket, Screen	1		
	950A0001H34	Gasket, Flange	2		
	950A0001H06	Strainer, 2", 177 - 270, 316 & 399	1		
	950A0001H25	Kit, Repair (includes screen, spring & gasket)	1		
	950A0001H40	Gasket, Screen	1		
	950A0001H34	Gasket, Flange	2		

FIG. & INDEX	PART NUMBER	DESCRIPTION	QTY.	REV.	P & I REF.
	950A0001H09	Strainer, 3", 480 - 676	1		
	950A0001H28	Kit, Repair (includes screen, spring & gasket)	1		
	950A0001H41	Gasket, Screen	1		
	950A0001H36	Gasket, Flange	2		
-2	956A0025H23	Valve, Check, Modified, 1½", 100 & 134	1		
	956A0025H24	Valve, Check, Modified, 2", 177 - 270, 316 & 399	1		
	956A0025H25	Valve, Check, Modified, 3", 480 - 676	1		
-3	950A0354H05	Valve, Angle, Danfoss, SC, 1½" SW, 100 & 134 ⁽²⁾	1		
	950A0353H32	Spare Parts Kit, Overhaul (less stem)	1		
	950A0354H06	Valve, Angle, Danfoss, SC, 2" SW, 177 - 270, 316 & 399 ⁽²⁾	1		
	950A0353H33	Spare Parts Kit, Overhaul (less stem)	1		
	950A0358H07	Valve, Angle, Danfoss, SC, 2½" BW, 480 & 546 ⁽²⁾	1		
	950A0357H34	Spare Parts Kit, Overhaul (less stem)	1		
	950A0358H08	Valve, Angle, Danfoss, SC 3" BW, 496 & 676 ⁽²⁾	1		
	950A0357H35	Spare Parts Kit, Overhaul (less stem)	1		
-4	959A0057H05	Gasket, 1½" Bolt Flange, 100 & 134	1		
	959A0057H07	Gasket, 2" Bolt Flange, 177 - 270	1		
	959A0057H06	Gasket, 2½" Bolt Flange, 316 - 546	1		
	959A0057H18	Gasket, 3" Bolt Flange, 480 - 676	1		
	944A0358H02	Flange, SW, Square, 1½", 100 & 134	1		
	944A0358H03	Flange, SW, Square, 2", 177 - 270	1		
	944A0358H04	Flange, SW, Square, 2½", 316 - 546	1		
	944A0358H05	Flange, SW, Square, 3", 480 - 676	1		
	720M0532	Kit, Piping, Economizer Vi Control	Ref.		
-5	913A0150H05	Transducer, Pressure, 0-500 PSIA	1		
	649A0890H01	Connector, DIN, Restraint (standard)	1		
	649A0890H02	Connector, DIN, Conduit	1		
	649A0890H11	Gasket, DIN Connector	1		
	649D4628H01	Relief, Strain, 1/2"	1		
-6	950A0292H01	Valve, Angle, SC, Stop/Needle, 1/4" MPT x 1/4" FPT	1		
-7	720C0189G01	Assembly, Economizer 1½" Inlet Pipe, 100 & 134	1		
	720C0189G02	Assembly, Economizer 2" Inlet Pipe, 177, 222, & 270	1		
	720C0189G03	Assembly, Economizer 2½" Inlet Pipe, 316, 399, 480, 546	1		
	720C0189G04	Assembly, Economizer 3" Inlet Pipe, 496, 676, 856, 1080	1		
-8	959A0057H05	Gasket, 1½" Bolt Flange, 100 & 134	1		
	959A0057H07	Gasket, 2" Bolt Flange, 177 - 270	1		
	959A0057H06	Gasket, 2½" Bolt Flange, 316 - 546	1		
	959A0057H18	Gasket, 3" Bolt Flange, 496 - 1080	1		
-9	944A0255H01	Fitting, Snubber, Gauge Protector, 1/4 MPT x 1/4 FPT ⁽¹⁾	1		

1. Porous sintered metal element. Pulsating gas protection.
2. See Danfoss Cross-Reference Chart on page 72 and 73.

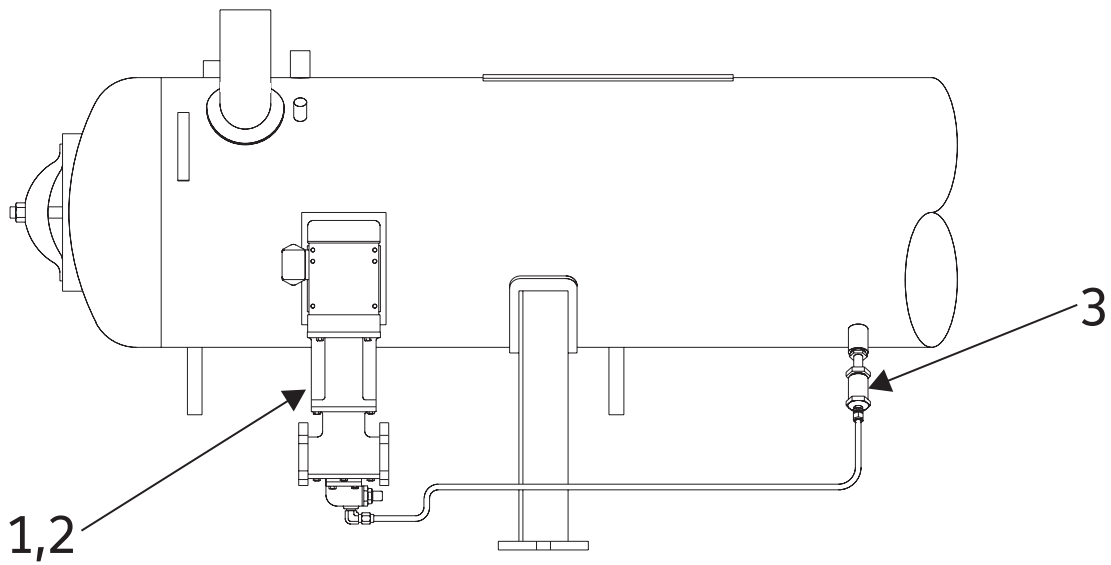


Figure 20. Oil Pump.

FIG. & INDEX	PART NUMBER	DESCRIPTION	QTY.	REV.	P & I REF.
20-	-	Oil Pump Mounting, 100-1080 (300#, 350#, & 400# DWP)	Ref.		
-1		300 PSI DWP Neoprene Seal (not for use with #11, #14, #18, #19 Oils)			
	960A0082G01	Assembly, Pump, 1 HP, 1150 RPM / 954 RPM ^{(1) (4)}	1		
	960A0082H01	Pump only, HV-3778M ⁽²⁾	1		
	914A0015H18	Motor only, 208/230/460-3-60, 190/380-3-50	1		
	960A0066H11	Coupling only	1		
	960A0082G02	Assembly, Pump, 1 HP, 1150 RPM ^{(1) (4)}	1		
	960A0082H01	Pump only, HV-3778M ⁽²⁾	1		
	914A0015H19	Motor only, 575-3-60	1		
	960A0066H11	Coupling only	1		
	960A0082G03	Assembly, Pump, 1 HP, 954 RPM ^{(1) (4)}	1		
	960A0082H01	Pump only, HV-3778M ⁽²⁾	1		
	914A0015H20	Motor only, 415-3-50	1		
	960A0066H11	Coupling only	1		
	960A0082G07	Assembly, Pump, 1-1/2 HP, 1750 RPM ^{(1) (4)}	1		
	960A0082H01	Pump only, HV-3778M ⁽²⁾	1		
	914A0015H02	Motor only, 208/230/460-3-60	1		
	960A0066H11	Coupling only	1		
	960A0082G08	Assembly, Pump, 1-1/2 HP, 1450 RPM ^{(1) (4)}	1		
	960A0082H01	Pump only, HV-3778M ⁽²⁾	1		
	914A0015H04	Motor only, 190/380-3-50	1		
	960A0066H11	Coupling only	1		
	960A0082G09	Assembly, Pump, 1-1/2 HP, 1750 RPM ^{(1) (4)}	1		
	960A0082H01	Pump only, HV-3778M ⁽²⁾	1		
	914A0015H08	Motor only, 575-3-60	1		
	960A0066H11	Coupling only	1		
	960A0082G10	Assembly, Pump, 1-1/2 HP, 1450 RPM ^{(1) (4)}	1		
	960A0082H01	Pump only, HV-3778M ⁽²⁾	1		
	914A0015H07	Motor only, 415-3-50	1		
	960A0066H11	Coupling only	1		
	960A0082G04	Assembly, Pump, 3 HP, 1750 RPM / 1450 RPM ^{(1) (4)}	1		
	960A0082H02	Pump only, HV-3777M ⁽²⁾	1		
	914A0015H03	Motor only, 208/230/460-3-60 / 190/380-3-50	1		
	960A0066H12	Coupling only	1		
	960A0082G05	Assembly, Pump, 3 HP, 1750 RPM ^{(1) (4)}	1		
	960A0082H02	Pump only, HV-3777M ⁽²⁾	1		
	914A0015H10	Motor only, 575-3-60	1		
	960A0066H12	Coupling only	1		
	960A0082G06	Assembly, Pump, 3 HP, 1450 RPM ^{(1) (4)}	1		
	960A0082H02	Pump only, HV-3777M ⁽²⁾	1		
	914A0015H09	Motor only, 415-3-50	1		
	960A0066H12	Coupling only	1		
	960A0083G01	Assembly, Pump, 5 HP, 1450 RPM ⁽¹⁾	1		
	960A0083H01	Pump only, AV-947M ⁽²⁾	1		
	914A0016H02	Motor only, 190/380-3-50	1		
	960A0067H13	Coupling only	1		
	960A0083G02	Assembly, Pump, 5 HP, 1750 RPM ⁽¹⁾	1		
	960A0083H01	Pump only, AV-947M ⁽²⁾	1		
	914A0016H03	Motor only, 208/230/460-3-60	1		
	960A0067H13	Coupling only	1		

FIG. & INDEX	PART NUMBER	DESCRIPTION	QTY.	REV.	P & I REF.
	960A0083G03	Assembly, Pump, 5 HP, 1450 RPM ⁽¹⁾	1		
	960A0083H01	Pump only, AV-947M ⁽²⁾	1		
	914A0016H20	Motor only, 415-3-50	1		
	960A0067H13	Coupling only	1		
	960A0083G04	Assembly, Pump, 5 HP, 1750 RPM ⁽¹⁾	1		
	960A0083H01	Pump only, AV-947M ⁽²⁾	1		
	914A0016H23	Motor only, 575-3-60	1		
	960A0067H13	Coupling only	1		
	960A0083G07	Assembly, Pump, 7-1/2 HP, 1150 RPM ⁽¹⁾	1		
	960A0083H03	Pump only, AV-963M ⁽²⁾	1		
	914A0016H05	Motor only, 208/230/460-3-60	1		
	960A0067H12	Coupling only	1		
	960A0083G08	Assembly, Pump, 7-1/2 HP, 1150 RPM ⁽¹⁾	1		
	960A0083H03	Pump only, AV-963M ⁽²⁾	1		
	914A0016H22	Motor only, 575-3-60	1		
	960A0067H12	Coupling only	1		
	960A0083G09	Assembly, Pump, 7-1/2 HP, 1150 RPM ⁽¹⁾	1		
	960A0083H03	Pump only, AV-963M ⁽²⁾	1		
	914A0016H18	Motor only, 380-3-60	1		
	960A0067H12	Coupling only	1		
	960A0083G10	Assembly, Pump, 7-1/2 HP, 954 RPM ⁽¹⁾	1		
	960A0083H03	Pump only, AV-963M ⁽²⁾	1		
	914A0016H05	Motor only, 190/380-3-50	1		
	960A0067H12	Coupling only	1		
	300 PSI DWP w/BUNA N (Nitrile) Seals for #11, #14, #18, #19 Oils				
	960A0103G01	Assembly, Pump, 1 HP, 1150 RPM / 954 RPM	1		
	960A0103H01	Pump only, HV-3771M ⁽³⁾	1		
	914A0015H18	Motor only, 208/230/460-3-60 / 190/380-3-50	1		
	960A0066H11	Coupling only	1		
	960A0103H30	Kit, Bypass Valve	1		
	960A0103G02	Assembly, Pump, 1 HP, 1150 RPM	1		
	960A0103H01	Pump only, HV-3771M ⁽³⁾	1		
	914A0015H19	Motor only, 575-3-60	1		
	960A0066H11	Coupling only	1		
	960A0103H30	Kit, Bypass Valve	1		
	960A0103G03	Assembly, Pump, 1 HP, 954 RPM	1		
	960A0103H01	Pump only, HV-3771M ⁽³⁾	1		
	914A0015H20	Motor only, 415-3-50	1		
	960A0066H11	Coupling only	1		
	960A0103H30	Kit, Bypass Valve	1		
	960A0103G04	Assembly, Pump, 3 HP, 1750 RPM / 1450 RPM	1		
	960A0103H02	Pump only, HV-3771M ⁽³⁾	1		
	914A0015H03	Motor only, 208/230/460-3-60 / 190/380-3-50	1		
	960A0066H12	Coupling only	1		
	960A0103H30	Kit, Bypass Valve	1		
	960A0103G05	Assembly, Pump, 3 HP, 1750 RPM	1		
	960A0103H02	Pump only, HV-3771M ⁽³⁾	1		
	914A0015H10	Motor only, 575-3-60	1		
	960A0066H12	Coupling only	1		
	960A0103H30	Kit, Bypass Valve	1		

FIG. & INDEX	PART NUMBER	DESCRIPTION	QTY.	REV.	P & I REF.
	960A0103G06	Assembly, Pump, 3 HP, 1450 RPM	1		
	960A0103H02	Pump only, HV-3771M ⁽³⁾	1		
	914A0015H09	Motor only, 415-3-50	1		
	960A0066H12	Coupling only	1		
	960A0103H30	Kit, Bypass Valve	1		
	960A0103G07	Assembly, Pump, 1-1/2 HP, 1750 RPM	1		
	960A0103H01	Pump only, HV-3771M ⁽³⁾	1		
	914A0015H02	Motor only, 208/230/460-3-60	1		
	960A0066H11	Coupling only	1		
	960A0103H30	Kit, Bypass Valve	1		
	960A0103G08	Assembly, Pump, 1-1/2 HP, 1450 RPM	1		
	960A0103H01	Pump only, HV-3778M ⁽³⁾	1		
	914A0015H04	Motor only, 190/380-3-50	1		
	960A0066H11	Coupling only	1		
	960A0103H30	Kit, Bypass Valve	1		
	960A0103G09	Assembly, Pump, 1-1/2 HP, 1750 RPM	1		
	960A0103H01	Pump only, HV-3778M ⁽³⁾	1		
	914A0015H08	Motor only, 575-3-60	1		
	960A0066H11	Coupling only	1		
	960A0103H30	Kit, Bypass Valve	1		
	960A0103G10	Assembly, Pump, 1-1/2 HP, 1450 RPM	1		
	960A0103H01	Pump only, HV-3778M ⁽³⁾	1		
	914A0015H07	Motor only, 415-3-50	1		
	960A0066H11	Coupling only	1		
	960A0103H30	Kit, Bypass Valve	1		
	960A0104G01	Assembly, Pump, 5 HP, 1450 RPM	1		
	960A0104H01	Pump only, AV-948M ⁽³⁾	1		
	914A0016H02	Motor only, 190/380-3-50	1		
	960A0067H13	Coupling only	1		
	960A0104H30	Kit, Bypass Valve	1		
	960A0104G02	Assembly, Pump, 5 HP, 1750 RPM	1		
	960A0104H01	Pump only, AV-948M ⁽³⁾	1		
	914A0016H03	Motor only, 208/230/460-3-60	1		
	960A0067H13	Coupling only	1		
	960A0104H30	Kit, Bypass Valve	1		
	960A0104G03	Assembly, Pump, 5 HP, 1450 RPM	1		
	960A0104H01	Pump only, AV-948M ⁽³⁾	1		
	914A0016H20	Motor only, 415-3-50	1		
	960A0067H13	Coupling only	1		
	960A0104H30	Kit, Bypass Valve	1		
	960A0104G04	Assembly, Pump, 5 HP, 1750 RPM	1		
	960A0104H01	Pump only, AV-948M ⁽³⁾	1		
	914A0016H23	Motor only, 575-3-60	1		
	960A0067H13	Coupling only	1		
	960A0104H30	Kit, Bypass Valve	1		
	960A0104G05	Assembly, Pump, 7 1/2 HP, 1450 RPM	1		
	960A0104H02	Pump only, AK495M ⁽³⁾	1		
	914A0016H04	Motor only, 190/380-3-50	1		
	960A0067H11	Coupling only	1		
	960A0104H30	Kit, Bypass Valve	1		

FIG. & INDEX	PART NUMBER	DESCRIPTION	QTY.	REV.	P & I REF.
	960A0104G06	Assembly, Pump, 7 1/2 HP, 1450 RPM	1		
	960A0104H02	Pump only, AK495M ⁽³⁾	1		
	914A0016H12	Motor only, 415-3-50	1		
	960A0067H11	Coupling only	1		
	960A0104H30	Kit, Bypass Valve	1		
	960A0104G07	Assembly, Pump, 7 1/2 HP, 1150 RPM	1		
	960A0104H03	Pump only, AV-949M ⁽³⁾	1		
	914A0016H05	Motor only, 208/230/460-3-60	1		
	960A0067H12	Coupling only	1		
	960A0104H30	Kit, Bypass Valve	1		
	960A0104G08	Assembly, Pump, 7 1/2 HP, 1150 RPM	1		
	960A0104H03	Pump only, AV-949M ⁽³⁾	1		
	914A0016H22	Motor only, 575-3-60	1		
	960A0067H12	Coupling only	1		
	960A0104H30	Kit, Bypass Valve	1		
	960A0104G09	Assembly, Pump, 7 1/2 HP, 1150 RPM	1		
	960A0104H03	Pump only, AV-949M ⁽³⁾	1		
	914A0016H18	Motor only, 380-3-60	1		
	960A0067H12	Coupling only	1		
	960A0104H30	Kit, Bypass Valve	1		
	960A0104G10	Assembly, Pump, 7 1/2 HP, 954 RPM	1		
	960A0104H03	Pump only, AV-949M ⁽³⁾	1		
	914A0016H24	Motor only, 190/380-3-50	1		
	960A0067H12	Coupling only	1		
	960A0104H30	Kit, Bypass Valve	1		
	960A0104G21	Assembly, Pump, 7 1/2 HP, 1450 RPM	1		
	960A0104H02	Pump only, AK495M ⁽³⁾	1		
	914A0016H04	Motor only, 190/380-3-50	1		
	960A0067H11	Coupling only	1		
	960A0104H30	Kit, Bypass Valve	1		
	960A0104G22	Assembly, Pump, 7 1/2 HP, 1450 RPM	1		
	960A0104H02	Pump only, AK495M ⁽³⁾	1		
	914A0016H12	Motor only, 415-3-50	1		
	960A0067H11	Coupling only	1		
	960A0104H30	Kit, Bypass Valve	1		
	960A0104G23	Assembly, Pump, 7 1/2 HP, 1150 RPM	1		
	960A0104H03	Pump only, AV-949M ⁽³⁾	1		
	914A0016H05	Motor only, 208/230/460-3-60	1		
	960A0067H12	Coupling only	1		
	960A0104H30	Kit, Bypass Valve	1		
	960A0104G24	Assembly, Pump, 7 1/2 HP, 1150 RPM	1		
	960A0104H03	Pump only, AV-949M ⁽³⁾	1		
	914A0016H22	Motor only, 575-3-60	1		
	960A0067H12	Coupling only	1		
	960A0104H30	Kit, Bypass Valve	1		
	960A0104G25	Assembly, Pump, 7 1/2 HP, 1150 RPM	1		
	960A0104H03	Pump only, AV-949M ⁽³⁾	1		
	914A0016H18	Motor only, 380-3-60	1		
	960A0067H12	Coupling only	1		
	960A0104H30	Kit, Bypass Valve	1		
	960A0104G26	Assembly, Pump, 7 1/2 HP, 954 RPM	1		
	960A0104H03	Pump only, AV-949M ⁽³⁾	1		
	914A0016H24	Motor only, 190/380-3-50	1		
	960A0067H12	Coupling only	1		
	960A0104H30	Kit, Bypass Valve	1		

FIG. & INDEX	PART NUMBER	DESCRIPTION	QTY.	REV.	P & I REF.
		350 & 400 DWP Neoprene Seal (not for use with #11, #14, #18, #19 Oils)			
	960A0100G01	Assembly, Pump, 1 HP, 1200 RPM / 1000 RPM ⁽¹⁾	1		
	960A0100H01	Pump only, HV-3778M ⁽²⁾	1		
	914A0015H01	Motor only, 208/230/460-3-60 / 190/380-3-50	1		
	960A0066H11	Coupling only	1		
	960A0100G02	Assembly, Pump, 1 HP, 1200 RPM ⁽¹⁾	1		
	960A0100H01	Pump only, HV-3778M ⁽²⁾	1		
	914A0015H06	Motor only, 575-3-60	1		
	960A0066H11	Coupling only	1		
	960A0100G03	Assembly, Pump, 1 HP, 1000 RPM ⁽¹⁾	1		
	960A0100H01	Pump only, HV-3778M ⁽²⁾	1		
	914A0015H05	Motor only, 415-3-50	1		
	960A0066H11	Coupling only	1		
	960A0100G04	Assembly, Pump, 3 HP, 1750 RPM / 1450 RPM ⁽¹⁾	1		
	960A0100H02	Pump only, HV-3777M ⁽²⁾	1		
	914A0015H03	Motor only, 208/230/460-3-60 / 190/380-3-50	1		
	960A0066H12	Coupling only	1		
	960A0100G05	Assembly, Pump, 3 HP, 1750 RPM ⁽¹⁾	1		
	960A0100H02	Pump only, HV-3777M ⁽²⁾	1		
	914A0015H10	Motor only, 575-3-60	1		
	960A0066H12	Coupling only	1		
	960A0100G06	Assembly, Pump, 3 HP, 1450 RPM ⁽¹⁾	1		
	960A0100H02	Pump only, HV-3777M ⁽²⁾	1		
	914A0015H09	Motor only, 415-3-50	1		
	960A0066H12	Coupling only	1		
	960A0100G07	Assembly, Pump, 1-1/2 HP, 1750 RPM ⁽¹⁾	1		
	960A0100H01	Pump only, HV-3778M ⁽²⁾	1		
	914A0015H02	Motor only, 208/230/460-3-60	1		
	960A0066H11	Coupling only	1		
	960A0100G08	Assembly, Pump, 1-1/2 HP, 1450 RPM ⁽¹⁾	1		
	960A0100H01	Pump only, HV-3778M ⁽²⁾	1		
	914A0015H04	Motor only, 190/380-3-50	1		
	960A0066H11	Coupling only	1		
	960A0100G09	Assembly, Pump, 1-1/2 HP, 1750 RPM ⁽¹⁾	1		
	960A0100H01	Pump only, HV-3778M ⁽²⁾	1		
	914A0015H08	Motor only, 575-3-60	1		
	960A0066H11	Coupling only	1		
	960A0101G07	Assembly, Pump, 7-1/2 HP, 1150 RPM ⁽¹⁾	1		
	960A0101H07	Pump only, AV-963M ⁽²⁾	1		
	914A0016H05	Motor only, 208/230/460-3-60	1		
	960A0067H12	Coupling only	1		
	960A0101G08	Assembly, Pump, 7-1/2 HP, 1150 RPM ⁽¹⁾	1		
	960A0101H08	Pump only, AV-963M ⁽²⁾	1		
	914A0016H22	Motor only, 575-3-60	1		
	960A0067H12	Coupling only	1		
	960A0101G10	Assembly, Pump, 7-1/2 HP, 954 RPM ⁽¹⁾	1		
	960A0101H10	Pump only, AV-963M ⁽²⁾	1		
	914A0016H24	Motor only, 190/380-3-50	1		
	960A0067H12	Coupling only	1		

FIG. & INDEX	PART NUMBER	DESCRIPTION	QTY.	REV.	P & I REF.
		400 PSI DWP w/BUNA N (Nitrile) Seals for #11, #14, #18, #19 Oils			
	960A0106G01	Assembly, Pump, 1 HP, 1150 RPM / 954 RPM	1		
	960A0106H01	Pump only, HV-3771M ⁽³⁾	1		
	914A0015H18	Motor only, 208/230/460-3-60 / 190/380-3-50	1		
	960A0066H11	Coupling only	1		
	960A0106H30	Kit, Bypass Valve	1		
	960A0106G02	Assembly, Pump, 1 HP, 1150 RPM	1		
	960A0106H01	Pump only, HV-3771M ⁽³⁾	1		
	914A0015H19	Motor only, 575-3-60	1		
	960A0066H11	Coupling only	1		
	960A0106H30	Kit, Bypass Valve	1		
	960A0106G03	Assembly, Pump, 1 HP, 954 RPM	1		
	960A0106H01	Pump only, HV-3771M ⁽³⁾	1		
	914A0015H20	Motor only, 415-3-50	1		
	960A0066H11	Coupling only	1		
	960A0106H30	Kit, Bypass Valve	1		
	960A0106G04	Assembly, Pump, 3 HP, 1750 RPM / 1450 RPM	1		
	960A0106H02	Pump only, HV-3771M ⁽³⁾	1		
	914A0015H03	Motor only, 208/230/460-3-60 / 190/380-3-50	1		
	960A0066H12	Coupling only	1		
	960A0106H30	Kit, Bypass Valve	1		
	960A0106G05	Assembly, Pump, 3 HP, 1750 RPM	1		
	960A0106H02	Pump only, HV-3770M ⁽³⁾	1		
	914A0015H10	Motor only, 575-3-60	1		
	960A0066H12	Coupling only	1		
	960A0106H30	Kit, Bypass Valve	1		
	960A0106G06	Assembly, Pump, 3 HP, 1450 RPM	1		
	960A0106H02	Pump only, HV-3770M ⁽³⁾	1		
	914A0015H09	Motor only, 415-3-50	1		
	960A0066H12	Coupling only	1		
	960A0106H30	Kit, Bypass Valve	1		
	960A0106G07	Assembly, Pump, 1 1/2 HP, 1750 RPM	1		
	960A0106H01	Pump only, HV-3771M ⁽³⁾	1		
	914A0015H02	Motor only, 208/230/460-3-60	1		
	960A0066H11	Coupling only	1		
	960A0106H30	Kit, Bypass Valve	1		
	960A0106G08	Assembly, Pump, 1 1/2 HP, 1450 RPM	1		
	960A0106H01	Pump only, HV-3771M ⁽³⁾	1		
	914A0015H04	Motor only, 190/380-3-50	1		
	960A0066H11	Coupling only	1		
	960A0106H30	Kit, Bypass Valve	1		
	960A0106G09	Assembly, Pump, 1 1/2 HP, 1750 RPM	1		
	960A0106H01	Pump only, HV-3771M ⁽³⁾	1		
	914A0015H08	Motor only, 575-3-50	1		
	960A0066H11	Coupling only	1		
	960A0106H30	Kit, Bypass Valve	1		
	960A0106G10	Assembly, Pump, 1 1/2 HP, 1450 RPM	1		
	960A0106H01	Pump only, HV-3771M ⁽³⁾	1		
	914A0015H07	Motor only, 415-3-50	1		
	960A0066H11	Coupling only	1		
	960A0106H30	Kit, Bypass Valve	1		

FIG. & INDEX	PART NUMBER	DESCRIPTION	QTY.	REV.	P & I REF.
	960A0107G01	Assembly, Pump, 5 HP, 1450 RPM	1		
	960A0107H01	Pump only, AV-948M ⁽³⁾	1		
	914A0016H02	Motor only, 190/380-3-50	1		
	960A0067H13	Coupling only	1		
	960A0107H30	Kit, Bypass Valve	1		
	960A0107G02	Assembly, Pump, 5 HP, 1750 RPM	1		
	960A0107H01	Pump only, AV-948M ⁽³⁾	1		
	914A0016H25	Motor only, 208/230/460-3-60	1		
	960A0067H13	Coupling only	1		
	960A0107H30	Kit, Bypass Valve	1		
	960A0107G03	Assembly, Pump, 5 HP, 1450 RPM	1		
	960A0107H01	Pump only, AV-948M ⁽³⁾	1		
	914A0016H25	Motor only, 415-3-50	1		
	960A0067H13	Coupling only	1		
	960A0107H30	Kit, Bypass Valve	1		
	960A0107G04	Assembly, Pump, 5 HP, 1750 RPM	1		
	960A0107H01	Pump only, AV-948M ⁽³⁾	1		
	914A0016H23	Motor only, 575-3-60	1		
	960A0067H13	Coupling only	1		
	960A0107H30	Kit, Bypass Valve	1		
	960A0107G05	Assembly, Pump, 7 1/2 HP, 1450 RPM	1		
	960A0107H02	Pump only, AK495M ⁽³⁾	1		
	914A0016H04	Motor only, 190/380-3-50	1		
	960A0067H11	Coupling only	1		
	960A0107H30	Kit, Bypass Valve	1		
	960A0107G06	Assembly, Pump, 7 1/2 HP, 1450 RPM	1		
	960A0107H02	Pump only, AK495M ⁽³⁾	1		
	914A0016H12	Motor only, 415-3-50	1		
	960A0067H11	Coupling only	1		
	960A0107H30	Kit, Bypass Valve	1		
	960A0107G07	Assembly, Pump, 7 1/2 HP, 1150 RPM	1		
	960A0107H03	Pump only, AV-949M ⁽³⁾	1		
	914A0016H05	Motor only, 208/230/460-3-60	1		
	960A0067H12	Coupling only	1		
	960A0107H30	Kit, Bypass Valve	1		
	960A0107G08	Assembly, Pump, 7 1/2 HP, 1150 RPM	1		
	960A0107H03	Pump only, AV-949M ⁽³⁾	1		
	914A0016H22	Motor only, 575-3-60	1		
	960A0067H12	Coupling only	1		
	960A0107H30	Kit, Bypass Valve	1		
	960A0107G09	Assembly, Pump, 7 1/2 HP, 1150 RPM	1		
	960A0107H03	Pump only, AV-949M ⁽³⁾	1		
	914A0016H18	Motor only, 380-3-60	1		
	960A0067H12	Coupling only	1		
	960A0107H30	Kit, Bypass Valve	1		
	960A0107G10	Assembly, Pump, 7 1/2 HP, 954 RPM	1		
	960A0107H03	Pump only, AV-949M ⁽³⁾	1		
	914A0016H24	Motor only, 190/380-3-50	1		
	960A0067H12	Coupling only	1		
	960A0107H30	Kit, Bypass Valve	1		

FIG. & INDEX	PART NUMBER	DESCRIPTION	QTY.	REV.	P & I REF.
	960A0107G21	Assembly, Pump, 7 1/2 HP, 1450 RPM	1		
	960A0107H02	Pump only, AK495M ⁽³⁾	1		
	914A0016H04	Motor only, 190/380-3-50	1		
	960A0067H11	Coupling only	1		
	960A0107H30	Kit, Bypass Valve	1		
	960A0107G22	Assembly, Pump, 7 1/2 HP, 1450 RPM	1		
	960A0107H02	Pump only, AK495M ⁽³⁾	1		
	914A0016H12	Motor only, 415-3-50	1		
	960A0067H11	Coupling only	1		
	960A0107H30	Kit, Bypass Valve	1		
	960A0107G23	Assembly, Pump, 7 1/2 HP, 1150 RPM	1		
	960A0107H03	Pump only, AV-949M ⁽³⁾	1		
	914A0016H05	Motor only, 208/230/460-3-60	1		
	960A0067H12	Coupling only	1		
	960A0107H30	Kit, Bypass Valve	1		
	960A0107G24	Assembly, Pump, 7 1/2 HP, 1150 RPM	1		
	960A0107H03	Pump only, AV-949M ⁽³⁾	1		
	914A0016H22	Motor only, 575-3-60	1		
	960A0067H12	Coupling only	1		
	960A0107H30	Kit, Bypass Valve	1		
	960A0107G25	Assembly, Pump, 7 1/2 HP, 1150 RPM	1		
	960A0107H03	Pump only, AV-949M ⁽³⁾	1		
	914A0016H18	Motor only, 380-3-60	1		
	960A0067H12	Coupling only	1		
	960A0107H30	Kit, Bypass Valve	1		
	960A0107G26	Assembly, Pump, 7 1/2 HP, 954 RPM	1		
	960A0107H03	Pump only, AV-949M ⁽³⁾	1		
	914A0016H24	Motor only, 190/380-3-50	1		
	960A0067H12	Coupling only	1		
	960A0107H30	Kit, Bypass Valve	1		
-2	959A0054H25	Gasket, Flange, 1 1/2" (HV-3778M, HV-3771M, HV-3770M, HV-3777M)	2		
	959A0054H27	Gasket, Flange, 2 1/2" (AV-948M, AV-947M, AK495M)	2		
	959A0054H28	Gasket, Flange, 3" (AV-949M, AV-963M)	2		
-3	956A0014H01	Valve, Check, In-line, 3/4" FPT (100 - 222)	1		
	956A0014H02	Valve, Check, In-line, 1" FPT (270 - 546)	1		
	956A0012G04	Valve, Check, 1-1/4" FPT Flanges (496 - 1080)	1		
	<p>1. 960A0082 Pumps are used on Models 100/134/177/222/270. 960A0083 Pumps are used on Models 316/399/480/546/496/676/856/1080. 960A0100 Pumps are used on Models 100/134/177/222/270. 960A0101 Pumps are used on Models 316/399/480/546.</p> <p>2. 960A0082 Pumps use Shaft Seal Kit 960A0076H41. Kit consists of Shaft Seal, O-ring, Bearings and Locknut. 960A0083 Pumps use Shaft Seal Kit 960A0077H41. Kit consists of Shaft Seal, O-ring, Bearings and Locknut. 960A0100 Pumps use Shaft Seal Kit 960A0100H41. Kit consists of Shaft Seal, O-ring, Bearings and Locknut. 960A0101 Pumps use Shaft Seal Kit 960A0101H41. Kit consists of Shaft Seal, O-ring, Bearings and Locknut.</p> <p>3. 960A0103 Pumps use Shaft Seal Kit 960A0103H41. 960A0104 Pumps use Shaft Seal Kit 960A0104H41 960A0105 Pumps use Shaft Seal Kit 960A0105H41 960A0106 Pumps use Shaft Seal Kit 960A0106H41 960A0107 Pumps use Shaft Seal Kit 960A0107H41 960A0108 Pumps use Shaft Seal Kit 960A0108H41</p> <p>4. Bypass Valve Kit - 960A0082H30</p>				

This page left blank intentionally.

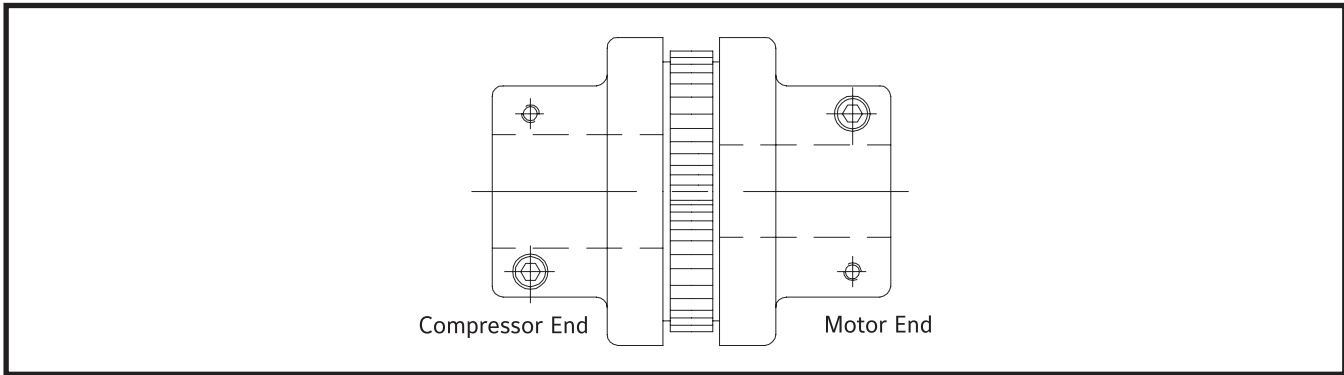


Figure 21. Coupling Assembly, T. B. Woods, 100 & 134.

SIZE 9C			
FLANGE	BORE	KEYWAY	PART NUMBER
Compressor End (2 1/4)	2.2505/2.2520	1/2 x 1/4	930A0127H01
Compressor End (2 1/2)	2.5005/2.5020	5/8 x 5/16	930A0127H02
Motor End (2 3/8)	2.3755/2.3770	5/8 x 5/16	930A0127H03
Motor End (1 7/8)	1.8755/1.8765	1/2 x 1/4	930A0127H04
Motor End (2 1/8)	2.1255/2.1270	1/2 x 1/4	930A0127H05
Motor End (55mm)	2.1658/2.1683	.630 x .169	930A0127H25
Motor End (60mm)	2.3627/2.3642	.709 x .173	930A0127H26
Motor End (65mm)	2.5595/2.5610	.709 x .173	930A0127H27

SIZE 10C			
FLANGE	BORE	KEYWAY	PART NUMBER
Compressor End (2 1/4)	2.2505/2.2520	1/2 x 1/4	930A0127H10
Compressor End (2 1/2)	2.5005/2.5020	5/8 x 5/16	930A0127H11
Motor End (2 3/8)	2.3755/2.3770	5/8 x 5/16	930A0127H12
Motor End (2 1/8)	2.1255/2.1270	1/2 x 1/4	930A0127H13
Motor End (55mm)	2.1658/2.1683	.630 x .169	930A0127H28
Motor End (60mm)	2.3627/2.3642	.709 x .173	930A0127H29
Motor End (65mm)	2.5595/2.5610	.709 x .173	930A0127H30
Motor End (70mm)	2.7565/2.7580	.787 x .193	930A0127H31

SIZE 11C			
FLANGE	BORE	KEYWAY	PART NUMBER
Compressor End (2 1/4)	2.2505/2.2570	1/2 x 1/4	930A0127H20
Compressor End (2 1/2)	2.5005/2.5020	5/8 x 5/16	930A0127H21
Compressor End (3 1/4)	3.2505/3.2520	7/8 x 7/16	930A0127H22
Motor End (2 3/8)	2.3755/2.3770	5/8 x 5/16	930A0127H23
Motor End (2 5/8)	2.6255/2.6270	5/8 x 5/16	930A0127H24
Motor End (55mm)	2.1658/2.1683	.630 x .169	930A0127H32
Motor End (60mm)	2.3627/2.3642	.709 x .173	930A0127H33
Motor End (65mm)	2.5595/2.5610	.709 x .173	930A0127H34
Motor End (70mm)	2.7565/2.7580	.787 x .193	930A0127H35
Motor End (75mm)	2.9527/2.9552	.787 x .193	930A0127H36

CENTER SLEEVE	
9C	930A0093H05
10C	930A0093H11
11C	930A0093H17

COMPRESSOR FLANGE KEYS		
Compressor	Compressor Key	Key Dimensions
SGC 193	534A0662H02	.500 x 3.50"
SGC 233	534A0662H03	.625 x 3.50"
SGC 283 & 355	534A0662H04	.875 x 4.50"

Motor flange key supplied with motor.

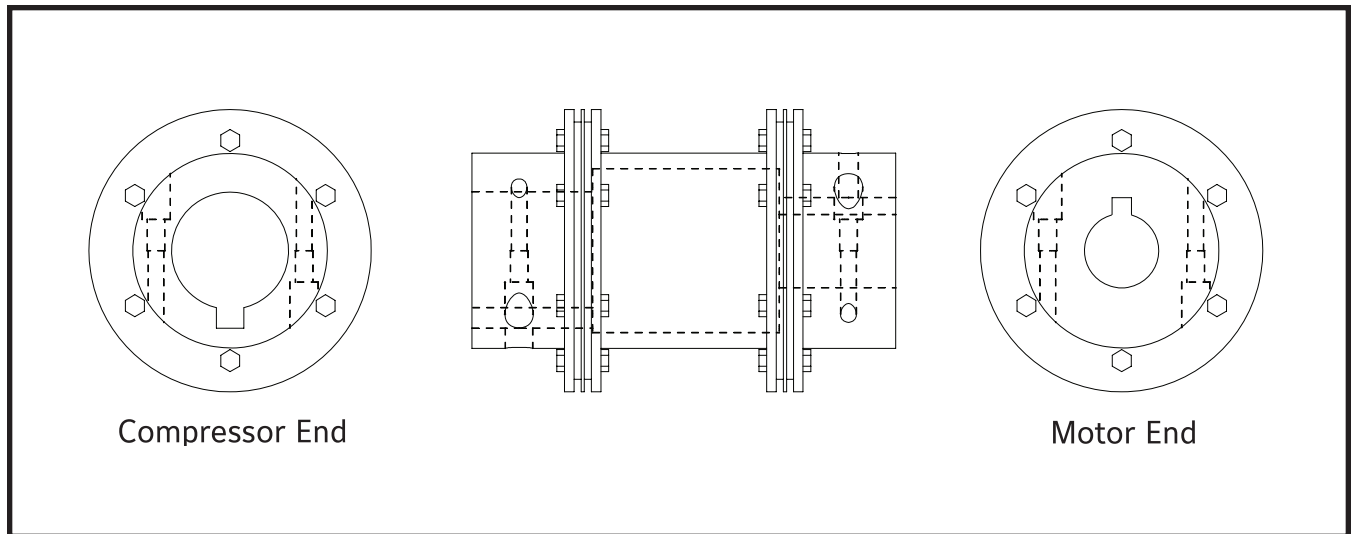


Figure 22. Coupling Assembly, T. B. Woods, 177-1080.

FIG. & INDEX	PART NUMBER	DESCRIPTION	QTY.	REV.	P & I REF.
22-	720C0167	Coupling, Motor to Compressor, 177, 222, 270	Ref.	B	
	720C0166	Coupling, Motor to Compressor, 316, 399, 480, 496, 546	Ref.	B	
	720C0165	Coupling, Motor to Compressor, 496, 676, 856, 1080	Ref.	B	
-1	720C0167H01	Assbly, Coupling, 2 3/8" Motor Bore/2 1/2" Compr. Bore	1		
	720C0167H13	Assbly, Coupling, 2 3/8" Motor Bore/2 1/2" Compr. Bore	1		
	720C0167H25	Assbly, Coupling, 2 3/8" Motor Bore/2 1/2" Compr. Bore	1		
	720C0167H37	Assbly, Coupling, 2 3/8" Motor Bore/2 1/2" Compr. Bore	1		
	720C0166H13	Assbly, Coupling, 2 3/8" Motor Bore/3 1/4" Compr. Bore	1		
	720C0166H25	Assbly, Coupling, 2 3/8" Motor Bore/3 1/4" Compr. Bore	1		
	720C0166H38	Assbly, Coupling, 2 3/8" Motor Bore/3 1/4" Compr. Bore	1		
	720C0165H58	Assbly, Coupling, 2 3/8" Motor Bore/3 3/4" Compr. Bore	1		
	720C0165H90	Assbly, Coupling, 2 3/8" Motor Bore/3 3/4" Compr. Bore	1		
720C0165P03	Assbly, Coupling, 2 3/8" Motor Bore/3 3/4" Compr. Bore	1			

P/N	RWFII MODEL	COMPRESSOR	SIZE
720C0167H01	177, 222, 270	233	BP 38
720C0167H13	177, 222, 270	233	BP 43
720C0167H25	177, 222, 270	233	BP 48
720C0167H37	270	233	BP 53
720C0166H13	316, 399, 480, 496	283, 355	BP 48
720C0166H25	316, 399, 480, 546	283	BP 53
720C0166H38	316, 399, 480, 546	283	BP 58
720C0165H58	496, 676, 856, 1080	355	BP 58
720C0165H90	496, 676, 856, 1080	355	BP 48
720C0165P03	496, 676, 856, 1080	355	BP 53

REPAIR KITS	
REPAIR KIT	COUPLING
720A0061H01	BP38
720A0061H02	BP43
720A0061H03	BP48
720A0061H04	BP53
720A0061H05	BP58

Repair Kits consist of all hardware and one Flex Disk Pack (2 required per coupling).

COMPRESSOR FLANGE KEYS		
Compressor	Compressor Key	Key Dimensions
SGC 193	534E0662H02	.500 x 3.50"
SGC 233	534E0662H03	.625 x 3.50"
SGC 283 & 355	534E0662H04	.875 x 4.50"

Motor flange keys supplied with motor.

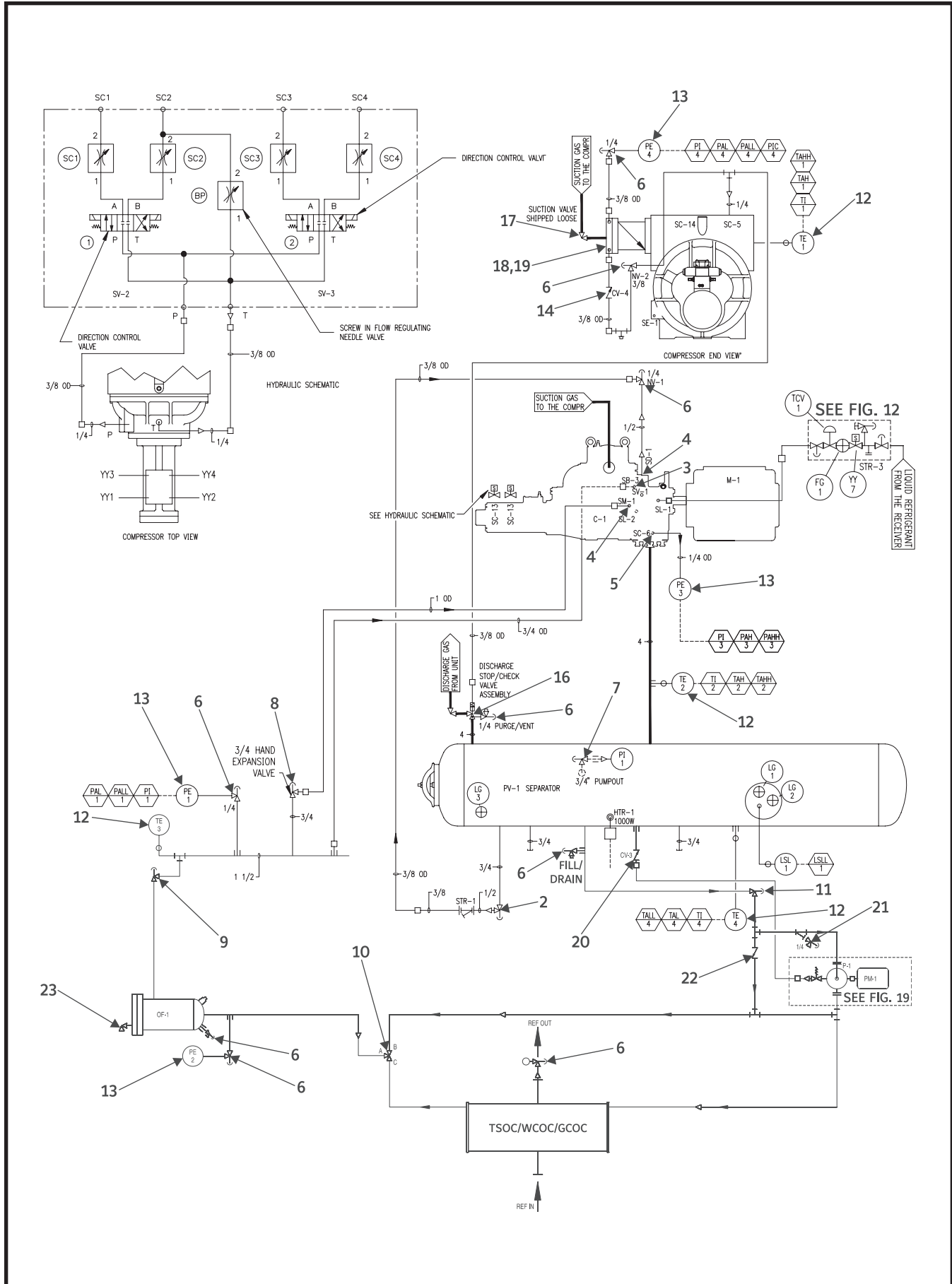


Figure 23. Piping and Instrumentation, Typical.

FIG. & INDEX	PART NUMBER	DESCRIPTION	QTY.	REV.	P & I REF.
23-	-	Piping Package Parts	Ref.		
-1	not used				
-2	720B0078G01	Valve Train, 3/4" Coalescer Bleed	1		
	720B0078H21	Kit, Strainer Basket & Cover Gasket	1		
	720B0078H04	Kit, Gasket	1		
-3	980A0012K66	O-ring, Port SB-3, Oil Supply	1		
-4	980A0012K66	O-ring, Ports SM-1 & SD-1	2		
-5	980A0012K60	O-ring, Port SC-6, Discharge Pressure	1		
-6	950A0292H01	Valve, Angle, SC, Danfoss, 1/4 MPT x 1/4 FPT	A/R		NV
	950A0292H02	Valve, Angle, SC, Danfoss, 3/8 MPT x 3/8 FPT	A/R		NV
	950A0292H03	Valve, Angle, SC, Danfoss, 1/2 MPT x 1/2 MPT (fill/drain) ⁽¹⁾	A/R		NV
-7	950A0354H02	Valve, Angle, SC, 3/4" SW, Danfoss (pumpout) ⁽²⁾⁽⁵⁾	1		
	950A0353H31	Spare Parts Kit, Overhaul (less stem)	1		
-8	954A0062H03	Valve, Angle, Hand Expansion, SC, 1" SW/FPT, 100-222	1		
	954A0062H28	Valve Repair Kit, Complete (less stem)	1		
	954A0062H04	Valve, Angle, Hand Expansion, SC, 1-1/4" SW/FPT, 270-399	1		
	954A0062H29	Valve Repair Kit, Complete (less stem)	1		
	954A0092H01	Valve, Angle, Hand Expansion, SC, 2" BW, 480-1080 ⁽⁵⁾	1		
	954A0075H23	Spare Parts Kit, Overhaul (less stem)	1		
-9	950A0354H05	Valve, Angle, Danfoss, SC, 1-1/2" SW, 100 & 134 ⁽⁵⁾	3		
	950A0353H32	Spare Parts Kit , Overhaul (less stem)	1		
	950A0354H06	Valve, Angle, Danfoss, SC, 2" SW, 177 & 222 ⁽⁵⁾	3		
	950A0353H33	Spare Parts Kit , Overhaul (less stem)	1		
	950A0358H07	Valve, Angle, Danfoss, SC, 2-1/2" BW, 270-546, 496, 676 ⁽⁵⁾	3		
	950A0357H34	Spare Parts Kit , Overhaul (less stem)	1		
	950A0358H08	Valve, Angle, Danfoss, SC, 3" BW, 856 & 1080 ⁽⁵⁾	1		
	950A0357H35	Spare Parts Kit, Overhaul (less stem)	1		
-10	950A0294H01	Valve, Temperature Control, 1-1/2"	1		TCV-1
	950A0294H11	Kit, Service, Temperature Control Valve, 1-1/2 & 2"	1		
	950A0294H02	Valve, Temperature Control, 2"	1		TCV-1
	950A0294H11	Kit, Service, Temperature Control Valve, 1-1/2 & 2"	1		
	950A0297H01	Valve, Temperature Control, 2-1/2"	1		TCV-1
	950A0297H11	Kit, Service, Temperature Control Valve, 2-1/2"	1		
-11	950A0354H06	Valve, Angle, Danfoss, Shutoff, 2" SW, SC ⁽⁵⁾	1		
	950A0353H33	Spare Parts Kit , Overhaul (less stem)	1		
	950A0358H07	Valve, Angle, Danfoss, Shutoff, 2-1/2" BW, SC ⁽⁵⁾	1		
	950A0357H34	Spare Parts Kit , Overhaul (less stem)	1		
-12	639A0151G03	Assembly, Temperature Sensor	4		TE
	639A0151H01	Temperature Sensor Probe, less Well	1		
	913A0098H01	Well, with cap	1		
	913A0100H01	Thermal Compound	A/R		
	649A0890H01	Connector, DIN, Restraint (standard)	1		
	649A0890H02	Connector, DIN, Conduit	1		
	649A0890H11	Gasket, DIN Connector	1		
-13	913A0150H03	Transducer, Pressure, 0-200	4		PE
	913A0150H05	Transducer, Pressure, 0-500	4		PE
	649A0890H01	Connector, DIN, Restraint (standard) ⁽³⁾	1		
	649A0890H02	Connector, DIN, Conduit ⁽³⁾	1		
	649A0890H11	Gasket, DIN Connector ⁽³⁾	1		
	649D4628H01	Relief, Strain, 1/2" ⁽³⁾	1		
-14	956A0052H01	Valve, Check, 3/8" NPTF (Booster - 20 PSIG)	1		CV-4
	956A0052H02	Valve, Check, 3/8" NPTF (High Stage - 45 PSIG)	1		CV-4

FIG. & INDEX	PART NUMBER	DESCRIPTION	QTY.	REV.	P & I REF.
-15	not used				
-16	582C0030G01	Valve, Discharge Stop/Check, 4" (High Stage) ⁽⁴⁾	1		
	582C0030G03	Valve, Discharge Stop/Check, 4" (Booster or Swing) ⁽⁴⁾	1		
	582C0031G01	Valve, Discharge Stop/Check, 5" (High Stage) ⁽⁴⁾	1		
	582C0031G03	Valve, Discharge Stop/Check, 5" (Booster or Swing) ⁽⁴⁾	1		
	582C0032G01	Valve, Discharge Stop/Check, 6" (High Stage) ⁽⁴⁾	1		
	582C0032G03	Valve, Discharge Stop/Check, 6" (Booster or Swing) ⁽⁴⁾	1		
	582C0033G01	Valve, Discharge Stop/Check, 8" (High Stage) ⁽⁴⁾	1		
	582C0033G03	Valve, Discharge Stop/Check, 8" (Booster or Swing) ⁽⁴⁾	1		
-17	950A0357H10	Valve, Angle, Danfoss, 5", HW, WIL ⁽⁴⁾⁽⁵⁾	1		
	950A0357H37	Spare Parts Kit, Overhaul (less stem)	1		
	950A0357H11	Valve, Angle, Danfoss, 6", HW, WIL ⁽⁴⁾⁽⁵⁾	1		
	950A0357H38	Spare Parts Kit, Overhaul (less stem)	1		
	950A0357H12	Valve, Angle, Danfoss, 8", HW, WIL ⁽⁴⁾⁽⁵⁾	1		
	950A0357H39	Spare Parts Kit, Overhaul (less stem)	1		
	950A0283H01	Valve, Angle, Danfoss, 10", HW, WIL ⁽⁴⁾	1		
	950A0283H21	Valve Repair Kit, Overhaul (less stem)	1		
	950A0283H02	Valve, Angle, Danfoss, 12", HW, WIL ⁽⁴⁾	1		
	950A0283H22	Valve Repair Kit, Overhaul (less stem)	1		
-18	956A0063H01	Valve, Check, 5" (100)	1		
	956A0063H02	Valve, Check, 6" (134-177)	1		
	956A0063H03	Valve, Check, 8" (222-316)	1		
	956A0063H04	Valve, Check, 10" (399-546)	1		
-19	959A0054H31	Gasket, Flange, 5" (100)	1		
	959A0054H32	Gasket, Flange, 6" (134-177)	1		
	959A0054H33	Gasket, Flange, 8" (222-316)	1		
	959A0054H34	Gasket, Flange, 10" (399-546)	1		
-20	956A0014H01	Valve, Check, In-line, 3/4" FPT (100-222)	1		CV-3
	956A0014H02	Valve, Check, In-line, 1" FPT (270-546)	1		CV-3
	956A0012G04	Valve, Check, 1-1/4" NPT Flanges (496-1080)	1		CV-3
-21	950A0320H05	Strainer, Angle, 1-1/2", SW	1		
	950A0320H15	Kit, Strainer & Gasket, 1-1/2"	1		
	950A0320H06	Strainer, Angle, 2", SW	1		
	950A0320H16	Kit, Strainer & Gasket, 2"	1		
	950A0329H01	Valve, Angle, 2-1/2" BW	1		
	950A0329H11	Kit, Strainer & Gasket, 2-1/2"	1		
-22	956A0012G03	Valve, Check, 1-1/2" NPT Flanges (100 - 134)	1		
	956A9912G01	Valve, Check, 2" NPT Flanges (177 - 222)	1		
	956A0012G05	Valve, Check, 2-1/2" SW (270-480, 496, 676)	1		
	956A0012G02	Valve, Check, 3", SW (856 & 1080)	1		
-23	950A0339H01	Valve, Oil Sampling, Push Button	1		

1. Oil will now be charged through the drain valve. A pump will be necessary to drive oil flow. See Service Information NS-05-10.
2. Pumpout valve is now standard. Do not confuse with earlier oil fill valve, otherwise coalescer will fill with oil. See NS-05-10.
3. Not included with Pressure Transducer.
4. See Figures 13-18.
5. See Danfoss Cross-Reference Chart on page 72 and 73.

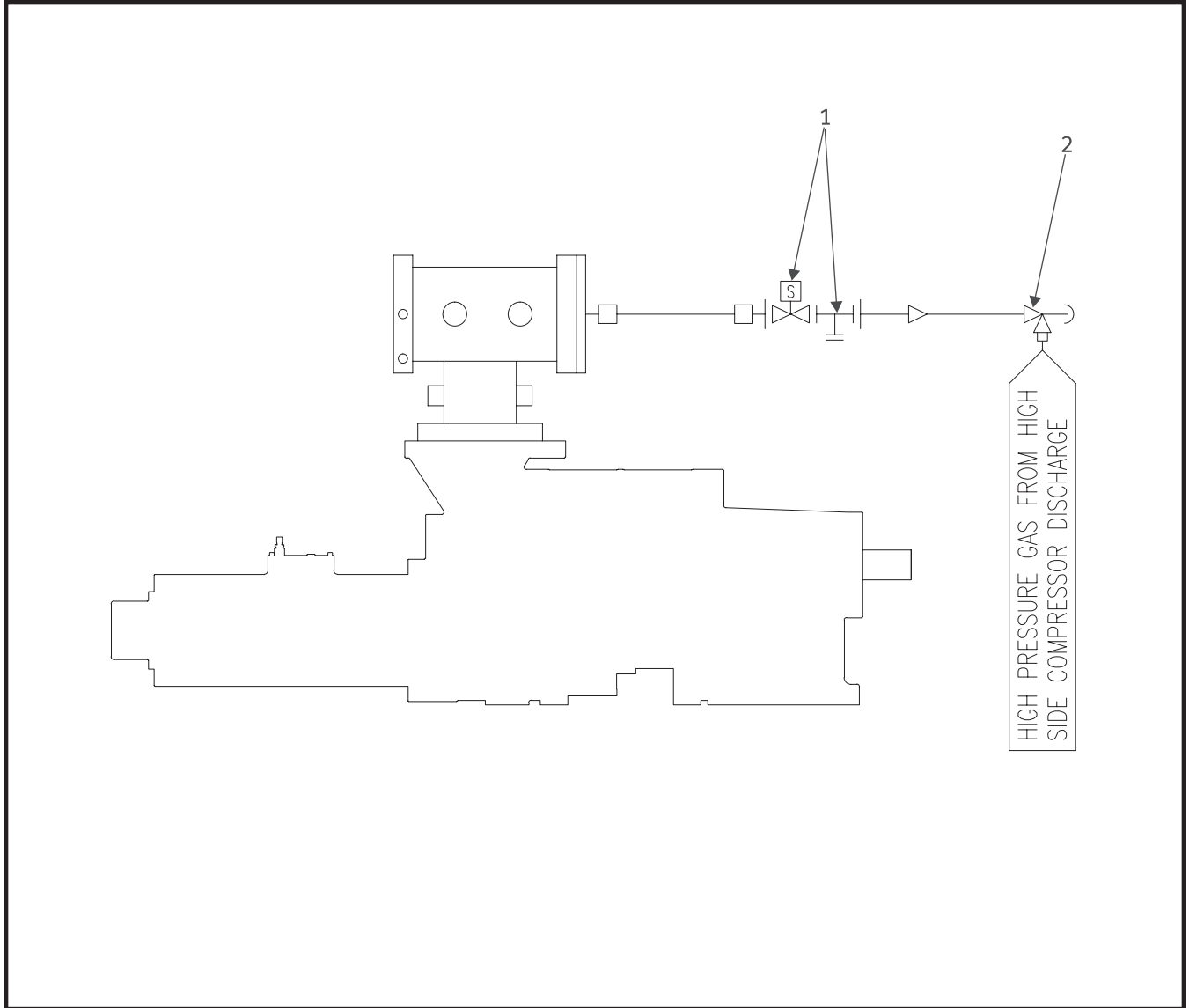


Figure 24. Multivalve Power Assist.

FIG. & INDEX	PART NUMBER	DESCRIPTION	QTY.	REV.	P & I REF.
24-	720M0298G01	Multivalve Power Assist	Ref.		
-1	951A0006H14	Valve, Solenoid w/Strainer, Less Coil	1		
	951A0009H01	Coil, 60/115	1		
	950A0001H02	Strainer, 1/2"	1		
	950A0001H21	Kit, Strainer, includes screen, cover, and gasket	1		
	950A0001H31	Gasket, Flange	2		
	950A0001H38	Gasket, Screen	1		
-2	950A0292H01	Valve, Angle, 1/4"	1		

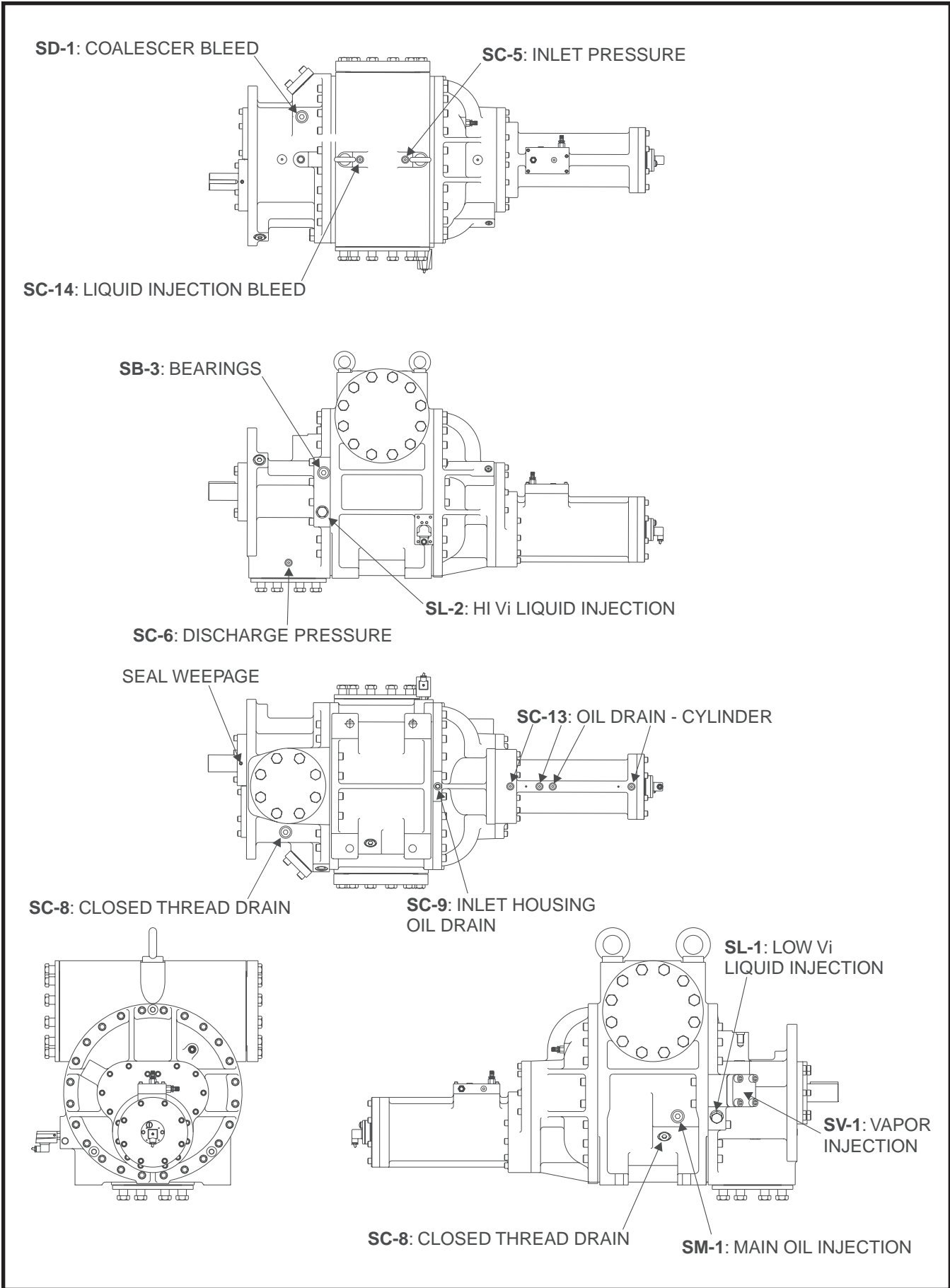


Figure 25. 1913/1918 Compressor Ports Locations.

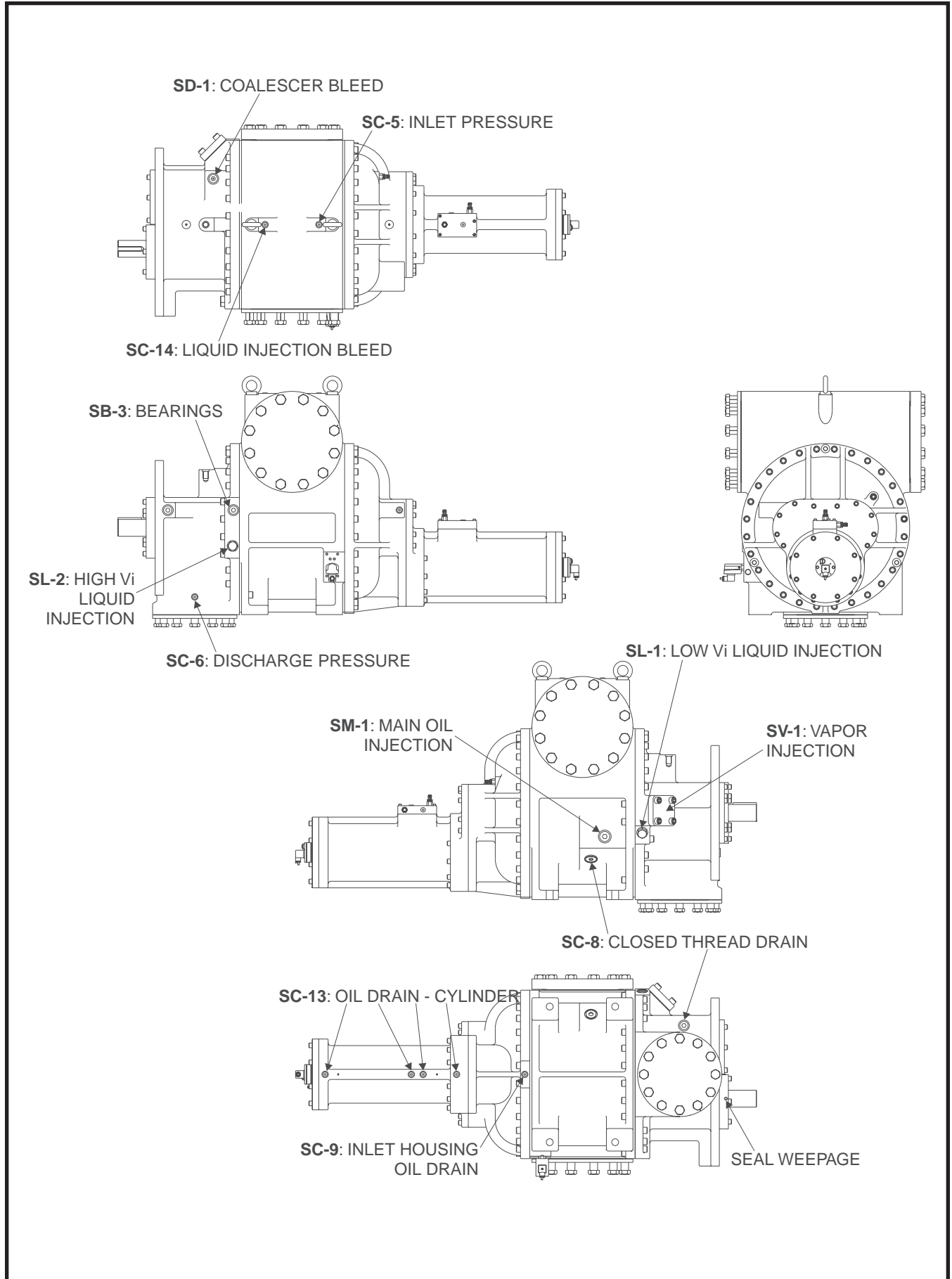


Figure 26. 2313/2317 Compressor Ports Locations.

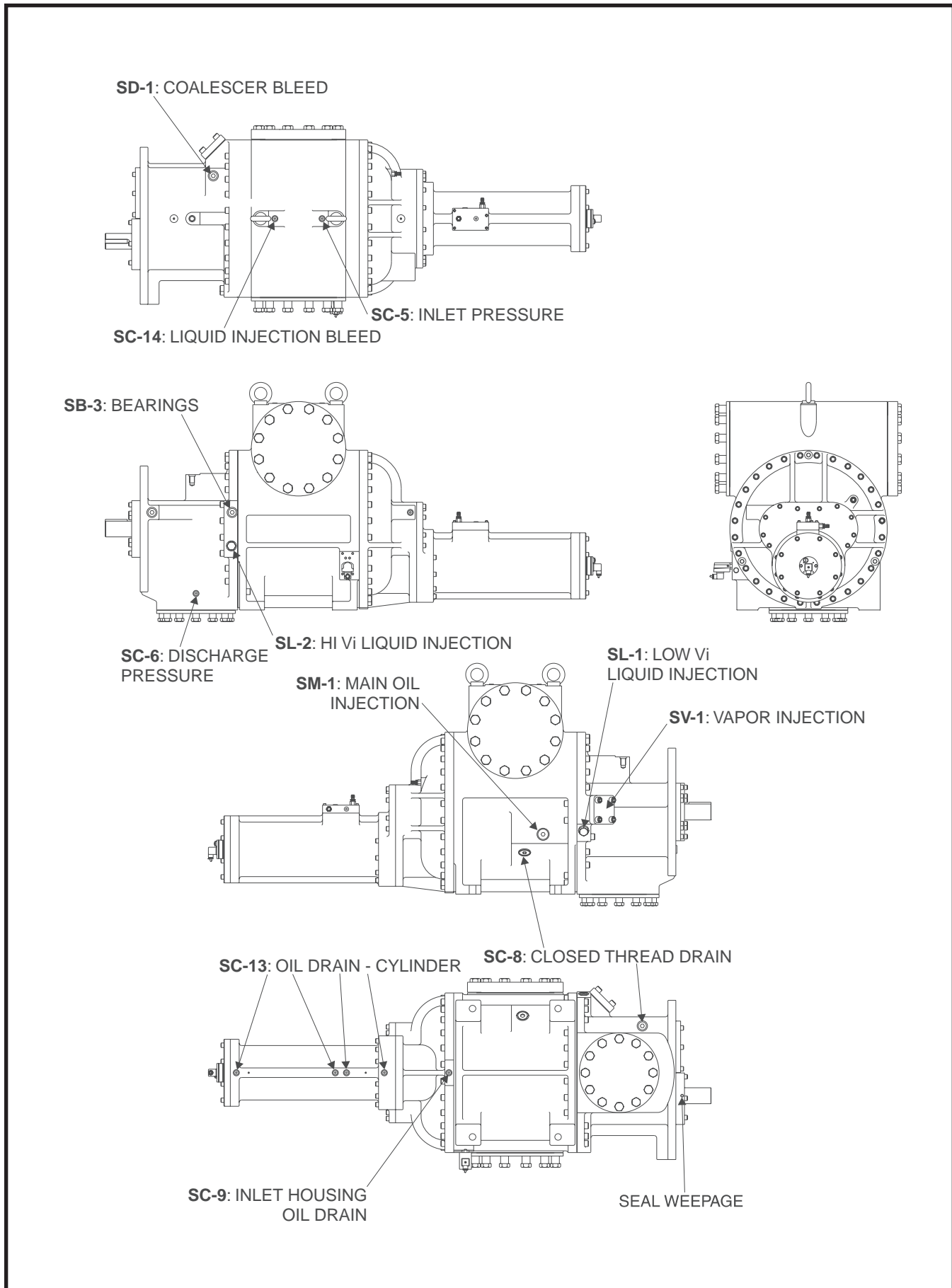


Figure 27. 2321 Compressor Ports Locations.

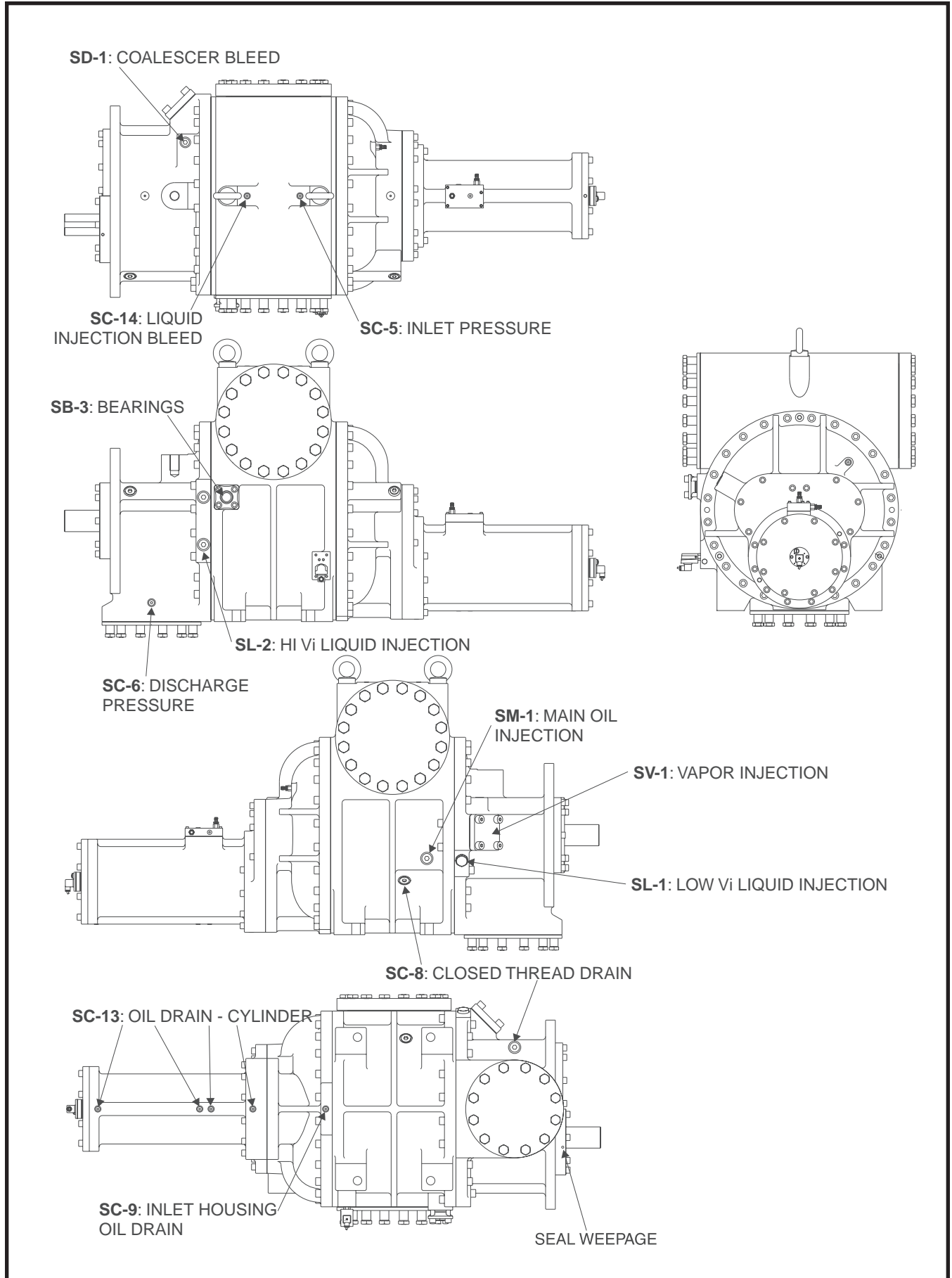


Figure 28. 2813/2817 Compressor Ports Locations.

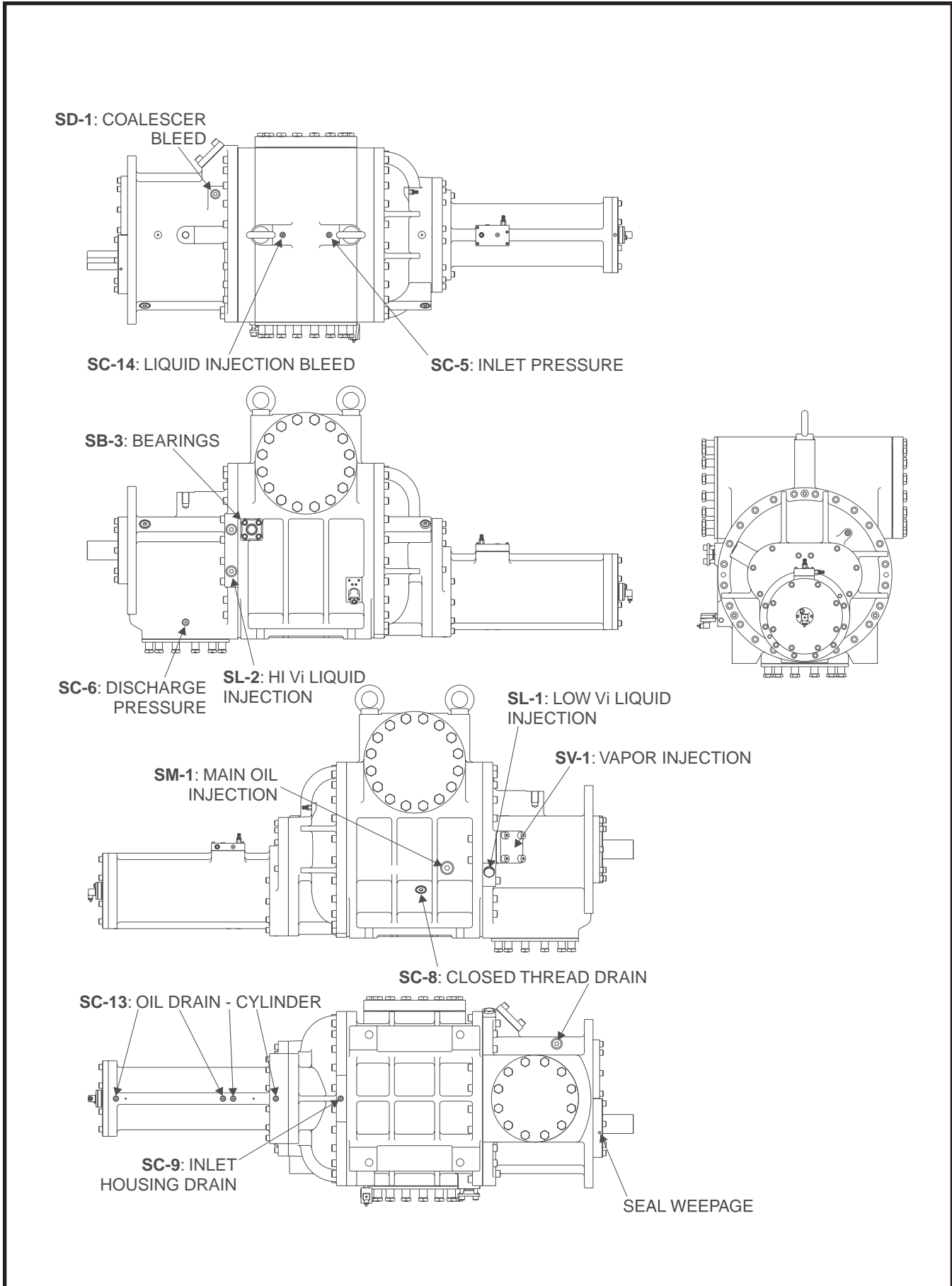


Figure 29. 2821/2824 Compressor Ports Locations.

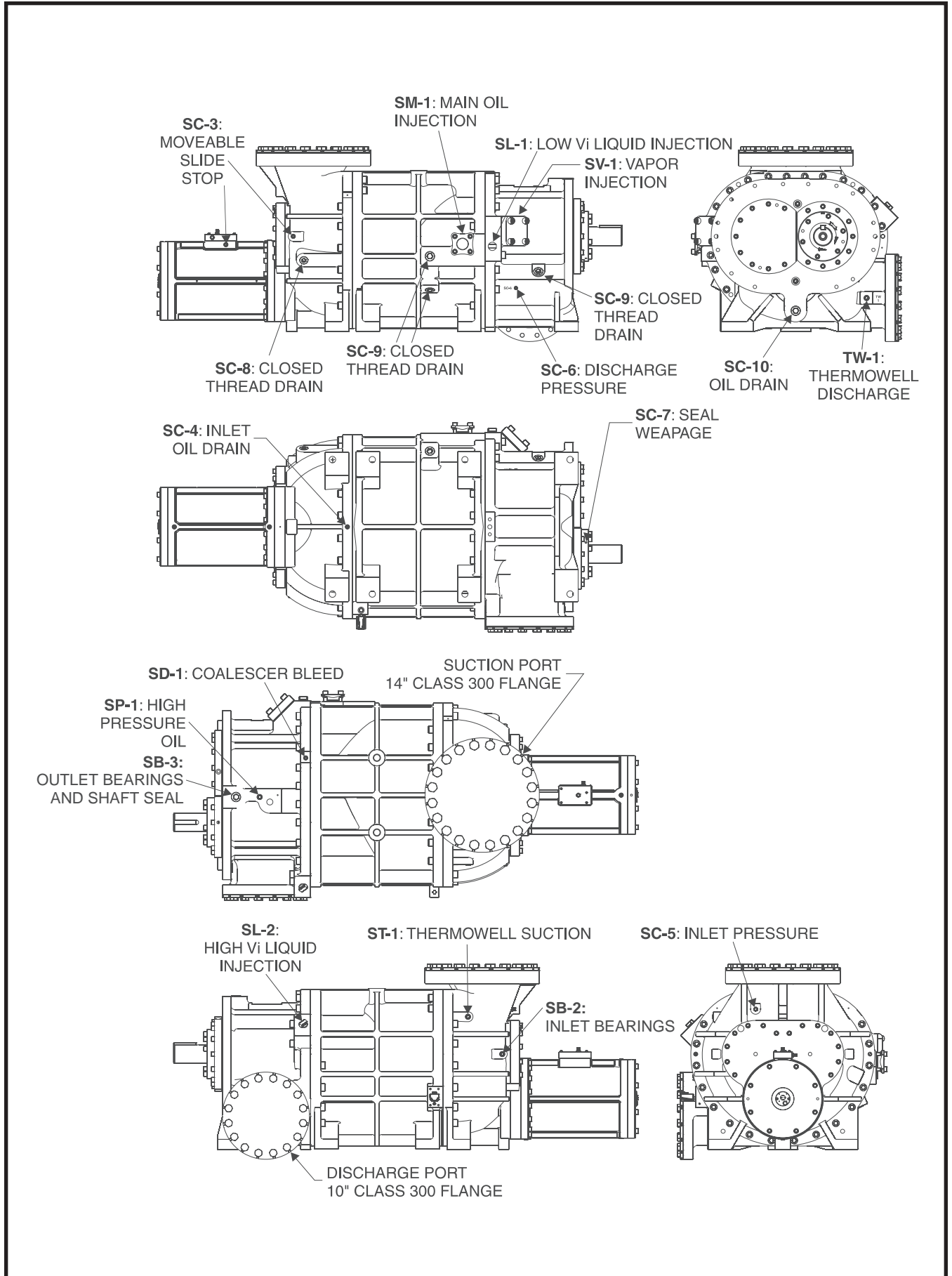


Figure 30. 3511/3515/3519 Compressor Ports Locations.

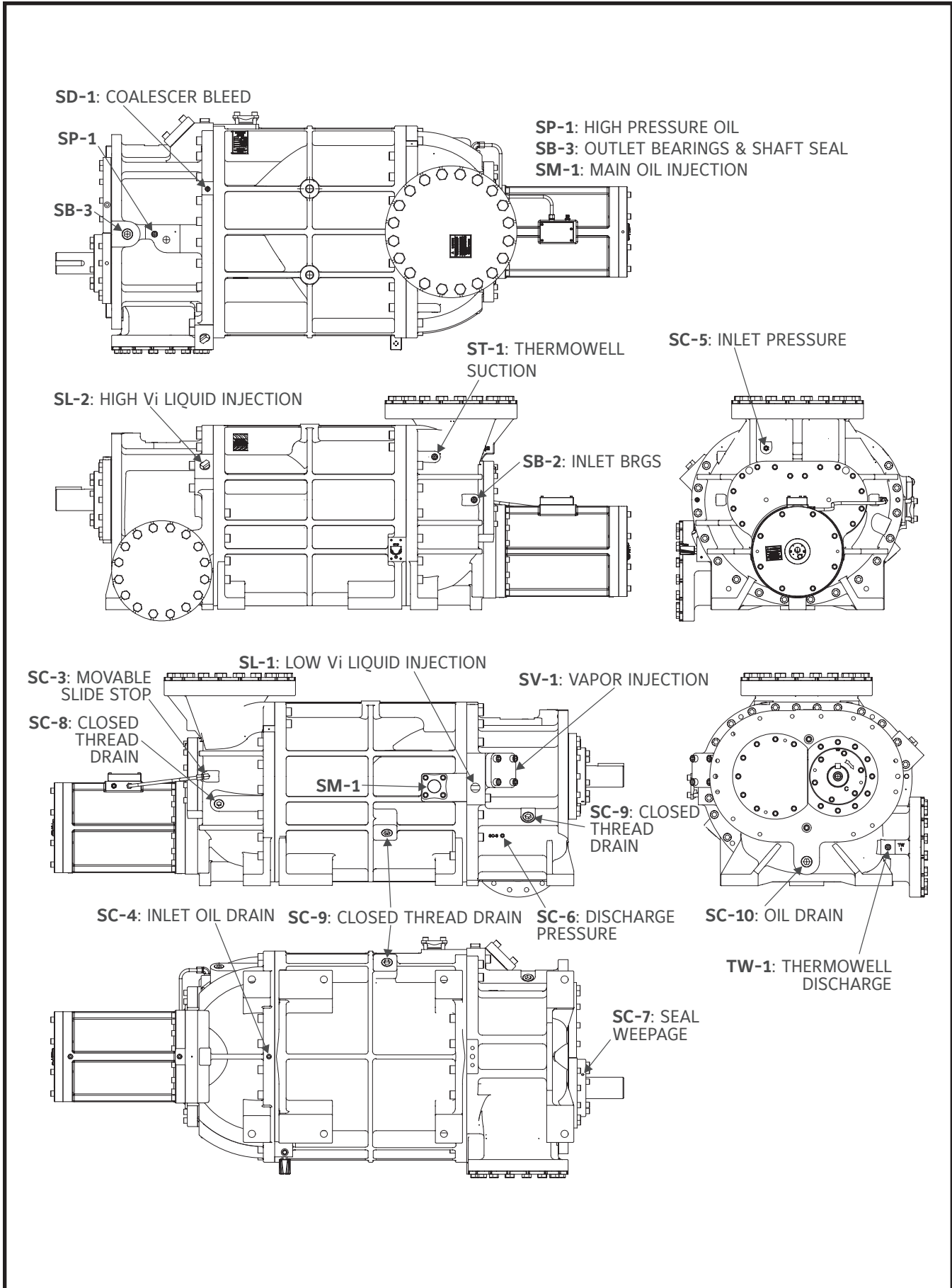


Figure 31. 3524 Compressor Ports Locations.

193-283 COMPRESSOR PORTS & O-RINGS						
PORT	DESCRIPTION	1913-1918 O-RING	2313-2317 O-RING	2321 O-RING	2813-2817 O-RING	2821-2824 O-RING
SB-3	Bearings	980A0012K66	980A0012K66	980A0012K66	980A0012K69	N/A
SC-5	Inlet Pressure	980A0012K60	980A0012K60	980A0012K60	980A0012K60	980A0012K60
SC-6	Discharge Pressure	980A0012K60	980A0012K60	980A0012K60	980A0012K60	980A0012K60
SC-8	Closed Thread Drain	980A0012K66	980A0012K66	980A0012K66	980A0012K69	980A0012K69
SC-9	Inlet Hsg Oil Drain	980A0012K60	980A0012K60	980A0012K60	980A0012K60	980A0012K60
SC-13	Oil Drain Cylinder	980A0012K60	980A0012K60	980A0012K60	980A0012K60	980A0012K60
SC-14	Liquid Inj Bleed	980A0012K60	980A0012K60	980A0012K60	980A0012K60	980A0012K60
SD-1	Coalescer Bleed	980A0012K66	980A0012K66	980A0012K66	980A0012K66	980A0012K66
SL-1	Low Vi Liq Injection	980A0012K66	980A0012K66	980A0012K66	980A0012K69	980A0012K69
SL-2	High Vi Liq Injection	980A0012K66	980A0012K66	980A0012K66	980A0012K69	980A0012K69
SM-1	Main Oil Injection	980A0012K66	980A0012K66	980A0012K69	980A0012K69	980A0012K71
SV-1	Vapor Injection	N/A	N/A	N/A	N/A	N/A

193-283 COMPRESSOR PORTS & SIZES						
PORT	DESCRIPTION	1913-1918 STRGHT THD ⁽¹⁾	2313-2317 STRGHT THD ⁽¹⁾	2321 STRGHT THD ⁽¹⁾	2813-2817 STRGHT THD ⁽¹⁾	2821-2824 STRGHT THD ⁽¹⁾
SB-3	Bearings	1 1/16-12UN-2B	1 1/16-12UN-2B	1 1/16-12UN-2B	1 1/4 Sq Flg	1 1/4 Sq Flg
SC-5	Inlet Pressure	9/16-18UNF-2B	9/16-18UNF-2B	9/16-18UNF-2B	3/4-16UNF-2B	3/4-16UNF-2B
SC-6	Discharge Pressure	9/16-18UNF-2B	9/16-18UNF-2B	9/16-18UNF-2B	9/16-18UNF-2B	9/16-18UNF-2B
SC-8	Closed Thread Drain	1 1/16-12UN-2B	1 1/16-12UN-2B	1 1/16-12UN-2B	1 5/16-12UN-2B1	5/16-12UN-2B
SC-9	Inlet Hsg Oil Drain	9/16-18UNF-2B	9/16-18UNF-2B	9/16-18UNF-2B	9/16-18UNF-2B	9/16-18UNF-2B
SC-13	Oil Drain Cylinder	9/16-18UNF-2B	9/16-18UNF-2B	9/16-18UNF-2B	9/16-18UNF-2B	9/16-18UNF-2B
SC-14	Liquid Inj Bleed	9/16-18UNF-2B	9/16-18UNF-2B	9/16-18UNF-2B	9/16-18UNF-2B	9/16-18UNF-2B
SD-1	Coalescer Bleed	1 1/16-12UN-2B	1 1/16-12UN-2B	1 1/16-12UN-2B	1 1/16-12UN-2B	1 1/16-12UN-2B
SL-1	Low Vi Liq Injection	1 1/16-12UN-2B	1 1/16-12UN-2B	1 1/16-12UN-2B	1 5/16-12UN-2B	1 5/16-12UN-2B
SL-2	High Vi Liq Injection	1 1/16-12UN-2B	1 1/16-12UN-2B	1 1/16-12UN-2B	1 5/16-12UN-2B	1 5/16-12UN-2B
SM-1	Main Oil Injection	1 1/16-12UN-2B	1 5/16-12UN-2B	1 5/16-12UN-2B	1 5/16-12UN-2B	1 5/8-12UN-2B
SV-1	Vapor Injection	1 1/2 Sq Flg	2 Sq Flg	2 Sq Flg	2 1/2 Sq Flg	2 1/2 Sq Flg

355 COMPRESSOR PORTS & SIZES		
PORT	DESCRIPTION	3511-3524 NPTF SIZE ⁽¹⁾
SB-2	Inlet Bearings	3/4-14
SB-3	Outlet Brgs. / Shaftseal	1 1/2-11 1/2
SC-3	Moveable Slide Stop	1/2-14
SC-4	Inlet Oil Drain	1/2-14
SC-5	Inlet Pressure	3/8-18
SC-6	Discharge Pressure	3/8-18
SC-8	Closed Thread Drain	1 1/4-11 1/2
SC-9	Closed Thread Drain	1 1/2-11 1/2
SC-10	Oil Drain	1 1/2-11 1/2
SD-1	Coalescer Bleed	1/2-14
SL-1	Low Vi Liq Injection	1 1/4-11 1/2
SL-2	High Vi Liq Injection	1 1/4-11 1/2
SM-1	Main Oil Injection	2 Sq Flg
SP-1	High Pressure Oil	3/4-14
ST-1	Thermowell Suction	3/4-14
SV-1	Vapor Injection	3 Sq Flg
TW-1	Thermowell Discharge	3/4-14

RWFII MODEL vs. COMPRESSOR MODEL	
RWFII MODEL	COMPRESSOR MODEL
RWFII 100 & 134	SGC 1913/1918 (193)
RWFII 177 & 222	SGC 2313/2317 (233)
RWFII 270	SGC 2321 (233)
RWFII 316 & 399	SGC 2813/2817 (283)
RWFII 480	SGC 2821 (283)
RWFII 546	SGC 2824 (283)
RWFII 496	SGCB 3511 (355)
RWFII 496	SGCH 3511 (355)
RWFII 676	SGCB 3515 (355)
RWFII 676	SGCH 3515 (355)
RWFII 856	SGCB 3519 (355)
RWFII 1080	SGCB 3524 (355)

1. In Inches

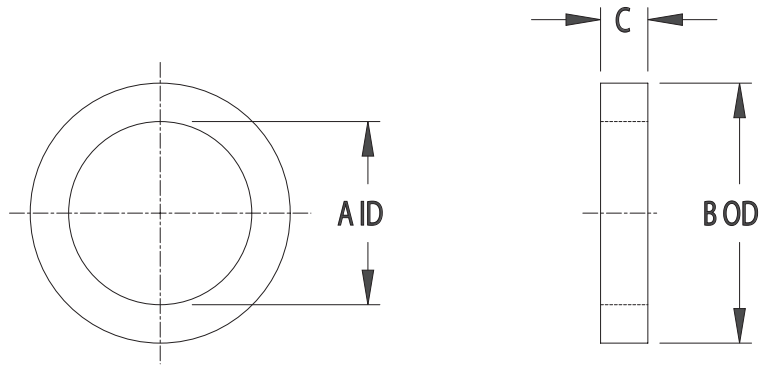
STRAIGHT ADAPTERS / O-RINGS - STRAIGHT THREAD TO NPTF			
Straight Thread Size ⁽¹⁾	NPTF Size ⁽¹⁾	Frick Part Number	O-ring
9/16-18	1/4-18	944A0246H01	980A0012K60
3/4-16	1/4-18	944A0246H02	980A0012K62
3/4-16	3/8-18	944A0246H03	980A0012K62
3/4-16	1/2-14	944A0246H04	980A0012K62
7/8-14	1/4-18	944A0246H05	980A0012K64
7/8-14	3/8-18	944A0246H06	980A0012K64
7/8-14	1/2-14	944A0246H07	980A0012K64
7/8-14	3/4-14	944A0246H08	980A0012K64
1 1/16-12	1/2-14	944A0246H09	980A0012K66
1 1/16-12	3/4-14	944A0246H10	980A0012K66
1 3/16-12	1/2-14	944A0246H11	980A0012K68
1 3/16-12	3/4-14	944A0246H12	980A0012K68
1 5/16-12	1/2-14	944A0246H13	980A0012K69
1 5/16-12	3/4-14	944A0246H14	980A0012K69
1 5/16-12	1-11 1/2	944A0246H15	980A0012K69
1 5/8-12	1-11 1/2	944A0246H16	980A0012K71
1 5/8-12	1 1/4-11 1/2	944A0246H17	980A0012K71
1 7/8-12	1-11 1/2	944A0246H18	980A0012K72
1 7/8-12	1 1/2-11 1/2	944A0246H19	980A0012K72
7/16-20	1/4-18	944A0246H20	980A0012K58

90° ELBOW ADAPTERS / O-RINGS - STRAIGHT THREAD TO TUBE				
NUMBER	TUBE OD ⁽¹⁾	TUBE END UN/UNF-2A ⁽¹⁾	PORT THD UN/UNF-2A ⁽¹⁾	O-RING
944A0288H01	1/2	3/4-16	3/4-16	980A0012K62
944A0288H02	1/2	3/4-16	9/16-18	980A0012K60
944A0288H03	1/2	3/4-16	7/8-14	980A0012K64
944A0288H04	1/2	3/4-16	1 1/16-12	980A0012K66
944A0288H05	5/8	7/8-14	7/8-14	980A0012K64
944A0288H06	5/8	7/8-14	3/4-16	980A0012K62
944A0288H07	5/8	7/8-14	1 1/16-12	980A0012K66
944A0288H08	3/4	1 1/16-12	1 1/16-12	980A0012K66
944A0288H09	3/4	1 1/16-12	3/4-16	980A0012K62
944A0288H10	3/4	1 1/16-12	7/8-14	980A0012K64
944A0288H11	3/4	1 1/16-12	1 5/16-12	980A0012K69
944A0288H12	7/8	1 3/16-12	1 3/16-12	980A0012K68
944A0288H13	1	1 5/8-12	1 5/8-12	980A0012K69
944A0288H14	1	1 5/16-12	1 1/16-12	980A0012K66
944A0288H15	1 1/4	1 5/8-12	1 5/8-12	980A0012K71
944A0288H16	1 1/2	1 7/8-12	1 7/8-12	980A0012K72

COMPRESSOR PORTS 100 - 546	
PORT	DESCRIPTION
SB-3	Compr Oil Supply
SC-5	Inlet Pressure
SC-6	Discharge Pressure
SC-8	Closed Thrd Drain
SC-9	Inlet Hsg Oil Drain
SC-13	Oil Drain Cylinder
SC-14	Liquid Inj Bleed
SD-1	Coalescer Bleed
SL-1	Low Vi Liq Injection
SL-2	High Vi Liq Injection
SM-1	Main Oil Injection
SV-1	Vapor Injection

COMPRESSOR PORTS 496 - 1080	
PORT	DESCRIPTION
SB-2	Inlet Bearings & Balance Piston
SB-3	Discharge Bearings
SC-3	Movable Slide Stop
SC-4	Inlet Oil Drain
SC-5	Inlet Pressure
SC-6	Discharge Pressure
SC-7	Seal Weepage
SC-8	Closed Thread Drain
SC-9	Closed Thread Drain
SC-10	Oil Drain
SD-1	Coalescer Drain
SL-1	Low Vi Liquid Injection
SL-2	High Vi Liquid Injection
SM-1	Main Oil Injection
ST-1	Thermowell Suction
SV-1	Vapor Injection
TW-1	Thermowell Discharge
SP-1	High Pressure Oil

1. In Inches



GASKETS - BOLTED FLANGES				
Gasket No.	Flange Size ⁽¹⁾	A - ID ⁽¹⁾	B - OD ⁽¹⁾	C ⁽¹⁾
959A0057H01	1/4	29/32	1-11/32	1/16
959A0057H02	3/8 & 1/2	1-9/32	1-23/32	1/16
959A0057H03	3/4 & 1	1-21/32	2-3/32	1/16
959A0057H04	1-1/4	1-27/32	2-9/32	1/16
959A0057H05	1-1/2	2-1/8	2-3/4	1/16
959A0057H06	2-1/2	3	3-3/4	1/16
959A0057H07	2	2-1/2	3-1/4	1/16
959A0057H08	3-1/2	4-1/8	4-7/8	1/16
959A0057H09	4	4-3/4	5-1/2	1/16
959A0057H10	5	6-1/4	7	1/16
959A0057H11	6	7-3/8	8-1/8	1/16
959A0057H12	8	9-9/16	10-1/2	1/16
959A0057H13	10	11-7/8	12-15/16	1/16
959A0057H14	12	13-1/4	14-1/4	1/16
959A0057H15	14	14-3/4	16-1/32	1/16
959A0057H16	3/4	1-5/16	1-13/16	1/16
959A0057H17	–	1-11/16	2-11/16	1/16
959A0057H18	3	3-5/8	4-3/8	1/16

1. Measurements in inches.



DANFOSS STOP VALVES CROSS REFERENCE			SERVICE KITS ⁽¹⁾			
OLD SVA-ST	NEW SVA-S	DESCRIPTION ⁽²⁾⁽³⁾⁽⁴⁾	SEAL CAP / HANDWHEEL ⁽⁵⁾	REPAIR ⁽⁶⁾	INSPECTION ⁽⁷⁾	OVERHAUL ⁽⁸⁾
950A0240H01	950A0357H01	SVA-S 1/2" A ANG STOP VALVE H-WHEEL	950A0353H51	950A0353H41	950A0353H21	950A0353H31
950A0241H01	950A0358H01	SVA-S 1/2" A ANG STOP VALVE CAP	950A0354H61	950A0353H41	950A0353H21	950A0353H31
950A0232H01	950A0353H01	SVA-S 1/2" SOC ANG STOP VALVE H-WHEEL	950A0353H51	950A0353H41	950A0353H21	950A0353H31
950A0233H01	950A0354H01	SVA-S 1/2" SOC ANG STOP VALVE CAP	950A0354H61	950A0353H41	950A0353H21	950A0353H31
950A0236H01	950A0355H01	SVA-S 1/2" FPT ANG STOP VALVE H-WHEEL	950A0353H51	950A0353H41	950A0353H21	950A0353H31
950A0237H01	950A0356H01	SVA-S 1/2" FPT ANG STOP VALVE CAP	950A0354H61	950A0353H41	950A0353H21	950A0353H31
950A0252H01	950A0363H01	SVA-S 1/2" A STR STOP VALVE H-WHEEL	950A0353H51	950A0353H41	950A0353H21	950A0353H31
950A0253H01	950A0364H01	SVA-S 1/2" A STR STOP VALVE CAP	950A0354H61	950A0353H41	950A0353H21	950A0353H31
950A0244H01	950A0359H01	SVA-S 1/2" SOC STR STOP VALVE H-WHEEL	950A0353H51	950A0353H41	950A0353H21	950A0353H31
950A0245H01	950A0360H01	SVA-S 1/2" SOC STR STOP VALVE CAP	950A0354H61	950A0353H41	950A0353H21	950A0353H31
950A0248H01	950A0361H01	SVA-S 1/2" FPT STR STOP VALVE H-WHEEL	950A0353H51	950A0353H41	950A0353H21	950A0353H31
950A0249H01	950A0362H01	SVA-S 1/2" FPT STR STOP VALVE CAP	950A0354H61	950A0353H41	950A0353H21	950A0353H31
950A0240H02	950A0357H02	SVA-S 3/4" A ANG STOP VALVE H-WHEEL	950A0353H51	950A0353H41	950A0353H21	950A0353H31
950A0241H02	950A0358H02	SVA-S 3/4" A ANG STOP VALVE CAP	950A0354H61	950A0353H41	950A0353H21	950A0353H31
950A0232H02	950A0353H02	SVA-S 3/4" SOC ANG STOP VALVE H-WHEEL	950A0353H51	950A0353H41	950A0353H21	950A0353H31
950A0233H02	950A0354H02	SVA-S 3/4" SOC ANG STOP VALVE CAP	950A0354H61	950A0353H41	950A0353H21	950A0353H31
950A0236H02	950A0355H02	SVA-S 3/4" FPT ANG STOP VALVE H-WHEEL	950A0353H51	950A0353H41	950A0353H21	950A0353H31
950A0237H02	950A0356H02	SVA-S 3/4" FPT ANG STOP VALVE CAP	950A0354H61	950A0353H41	950A0353H21	950A0353H31
950A0252H02	950A0363H02	SVA-S 3/4" A STR STOP VALVE H-WHEEL	950A0353H51	950A0353H41	950A0353H21	950A0353H31
950A0253H02	950A0364H02	SVA-S 3/4" A STR STOP VALVE CAP	950A0354H61	950A0353H41	950A0353H21	950A0353H31
950A0244H02	950A0359H02	SVA-S 3/4" SOC STR STOP VALVE H-WHEEL	950A0353H51	950A0353H41	950A0353H21	950A0353H31
950A0245H02	950A0360H02	SVA-S 3/4" SOC STR STOP VALVE CAP	950A0354H61	950A0353H41	950A0353H21	950A0353H31
950A0248H02	950A0361H02	SVA-S 3/4" FPT STR STOP VALVE H-WHEEL	950A0353H51	950A0353H41	950A0353H21	950A0353H31
950A0249H02	950A0362H02	SVA-S 3/4" FPT STR STOP VALVE CAP	950A0354H61	950A0353H41	950A0353H21	950A0353H31
950A0240H03	950A0357H03	SVA-S 1" A ANG STOP VALVE H-WHEEL	950A0353H52	950A0353H42	950A0353H22	950A0353H32
950A0241H03	950A0358H03	SVA-S 1" A ANG STOP VALVE CAP	950A0354H62	950A0353H42	950A0353H22	950A0353H32
950A0232H03	950A0353H03	SVA-S 1" SOC ANG STOP VALVE H-WHEEL	950A0353H52	950A0353H42	950A0353H22	950A0353H32
950A0233H03	950A0354H03	SVA-S 1" SOC ANG STOP VALVE CAP	950A0354H62	950A0353H42	950A0353H22	950A0353H32
950A0236H03	950A0355H03	SVA-S 1" FPT ANG STOP VALVE H-WHEEL	950A0353H52	950A0353H42	950A0353H22	950A0353H32
950A0237H03	950A0356H03	SVA-S 1" FPT ANG STOP VALVE CAP	950A0354H62	950A0353H42	950A0353H22	950A0353H32
950A0252H03	950A0363H03	SVA-S 1" A STR STOP VALVE H-WHEEL	950A0353H52	950A0353H42	950A0353H22	950A0353H32
950A0253H03	950A0364H03	SVA-S 1" A STR STOP VALVE CAP	950A0354H62	950A0353H42	950A0353H22	950A0353H32
950A0244H03	950A0359H03	SVA-S 1" SOC STR STOP VALVE H-WHEEL	950A0353H52	950A0353H42	950A0353H22	950A0353H32
950A0245H03	950A0360H03	SVA-S 1" SOC STR STOP VALVE CAP	950A0354H62	950A0353H42	950A0353H22	950A0353H32
950A0248H03	950A0361H03	SVA-S 1" FPT STR STOP VALVE H-WHEEL	950A0353H52	950A0353H42	950A0353H22	950A0353H32
950A0249H03	950A0362H03	SVA-S 1" FPT STR STOP VALVE CAP	950A0354H62	950A0353H42	950A0353H22	950A0353H32
950A0240H04	950A0357H04	SVA-S 1 1/4" A ANG STOP VALVE H-WHEEL	950A0353H52	950A0353H42	950A0353H22	950A0353H32
950A0241H04	950A0358H04	SVA-S 1 1/4" A ANG STOP VALVE CAP	950A0354H62	950A0353H42	950A0353H22	950A0353H32
950A0232H04	950A0353H04	SVA-S 1 1/4" SOC ANG STOP VALVE H-WHEEL	950A0353H52	950A0353H42	950A0353H22	950A0353H32
950A0233H04	950A0354H04	SVA-S 1 1/4" SOC ANG STOP VALVE CAP	950A0354H62	950A0353H42	950A0353H22	950A0353H32
950A0236H04	950A0355H04	SVA-S 1 1/4" FPT ANG STOP VALVE H-WHEEL	950A0353H52	950A0353H42	950A0353H22	950A0353H32
950A0237H04	950A0356H04	SVA-S 1 1/4" FPT ANG STOP VALVE CAP	950A0354H62	950A0353H42	950A0353H22	950A0353H32
950A0252H04	950A0363H04	SVA-S 1 1/4" A STR STOP VALVE H-WHEEL	950A0353H52	950A0353H42	950A0353H22	950A0353H32
950A0253H04	950A0364H04	SVA-S 1 1/4" A STR STOP VALVE CAP	950A0354H62	950A0353H42	950A0353H22	950A0353H32
950A0244H04	950A0359H04	SVA-S 1 1/4" SOC STR STOP VALVE H-WHEEL	950A0353H52	950A0353H42	950A0353H22	950A0353H32
950A0245H04	950A0360H04	SVA-S 1 1/4" SOC STR STOP VALVE CAP	950A0354H62	950A0353H42	950A0353H22	950A0353H32
950A0248H04	950A0361H04	SVA-S 1 1/4" FPT STR STOP VALVE H-WHEEL	950A0353H52	950A0353H42	950A0353H22	950A0353H32
950A0249H04	950A0362H04	SVA-S 1 1/4" FPT STR STOP VALVE CAP	950A0354H62	950A0353H42	950A0353H22	950A0353H32
950A0240H05	950A0357H05	SVA-S 1 1/2" A ANG STOP VALVE H-WHEEL	950A0353H52	950A0353H42	950A0353H22	950A0353H32
950A0241H05	950A0358H05	SVA-S 1 1/2" A ANG STOP VALVE CAP	950A0354H62	950A0353H42	950A0353H22	950A0353H32
950A0232H05	950A0353H05	SVA-S 1 1/2" SOC ANG STOP VALVE H-WHEEL	950A0353H52	950A0353H42	950A0353H22	950A0353H32
950A0233H05	950A0354H05	SVA-S 1 1/2" SOC ANG STOP VALVE CAP	950A0354H62	950A0353H42	950A0353H22	950A0353H32
950A0252H05	950A0363H05	SVA-S 1 1/2" A STR STOP VALVE H-WHEEL	950A0353H52	950A0353H42	950A0353H22	950A0353H32
950A0253H05	950A0364H05	SVA-S 1 1/2" A STR STOP VALVE CAP	950A0354H62	950A0353H42	950A0353H22	950A0353H32
950A0244H05	950A0359H05	SVA-S 1 1/2" SOC STR STOP VALVE H-WHEEL	950A0353H52	950A0353H42	950A0353H22	950A0353H32
950A0245H05	950A0360H05	SVA-S 1 1/2" SOC STR STOP VALVE CAP	950A0354H62	950A0353H42	950A0353H22	950A0353H32
950A0240H06	950A0357H06	SVA-S 2" A ANG STOP VALVE H-WHEEL	950A0353H53	950A0353H43	950A0353H23	950A0353H33
950A0241H06	950A0358H06	SVA-S 2" A ANG STOP VALVE CAP	950A0354H62	950A0353H43	950A0353H23	950A0353H33
950A0232H06	950A0353H06	SVA-S 2" SOC ANG STOP VALVE H-W	950A0353H53	950A0353H43	950A0353H23	950A0353H33
950A0233H06	950A0354H06	SVA-S 2" SOC ANG STOP VALVE CAP	950A0354H62	950A0353H43	950A0353H23	950A0353H33
950A0252H06	950A0363H06	SVA-S 2" A STR STOP VALVE H-WHEEL	950A0353H53	950A0353H43	950A0353H23	950A0353H33
950A0253H06	950A0364H06	SVA-S 2" A STR STOP VALVE CAP	950A0354H62	950A0353H43	950A0353H23	950A0353H33
950A0244H06	950A0359H06	SVA-S 2" SOC STR STOP VALVE H-W	950A0353H53	950A0353H43	950A0353H23	950A0353H33
950A0245H06	950A0360H06	SVA-S 2" SOC STR STOP VALVE CAP	950A0354H62	950A0353H43	950A0353H23	950A0353H33
950A0240H07	950A0357H07	SVA-S 2 1/2" A ANG STOP VALVE H-W	950A0353H53	950A0357H44	950A0357H24	950A0357H34
950A0241H07	950A0358H07	SVA-S 2 1/2" A ANG STOP VALVE CAP	950A0354H62	950A0357H44	950A0357H24	950A0357H34
950A0252H07	950A0363H07	SVA-S 2 1/2" A STR STOP VALVE H-W	950A0353H53	950A0357H44	950A0357H24	950A0357H34
950A0253H07	950A0364H07	SVA-S 2 1/2" A STR STOP VALVE CAP	950A0354H62	950A0357H44	950A0357H24	950A0357H34

DANFOSS STOP VALVES CROSS REFERENCE			SERVICE KITS ⁽¹⁾			
OLD SVA-ST	NEW SVA-S	DESCRIPTION ⁽²⁾⁽³⁾⁽⁴⁾	SEAL CAP / HANDWHEEL ⁽⁵⁾	REPAIR ⁽⁶⁾	INSPECTION ⁽⁷⁾	OVERHAUL ⁽⁸⁾
950A0240H08	950A0357H08	SVA-S 3" A ANG STOP VALVE H-WHEEL	950A0357H54	950A0357H45	950A0357H25	950A0357H35
950A0241H08	950A0358H08	SVA-S 3" A ANG STOP VALVE CAP	950A0358H63	950A0357H45	950A0357H25	950A0357H35
950A0252H08	950A0363H08	SVA-S 3" A STR STOP VALVE H-WHEEL	950A0357H54	950A0357H45	950A0357H25	950A0357H35
950A0253H08	950A0364H08	SVA-S 3" A STR STOP VALVE CAP	950A0358H63	950A0357H45	950A0357H25	950A0357H35
950A0240H09	950A0357H09	SVA-S 4" A ANG STOP VALVE H-WHEEL	950A0357H55	950A0357H46	950A0357H26	950A0357H36
950A0241H09	950A0358H09	SVA-S 4" A ANG STOP VALVE CAP	950A0358H63	950A0357H46	950A0357H26	950A0357H36
950A0252H09	950A0363H09	SVA-S 4" A STR STOP VALVE H-WHEEL	950A0357H55	950A0357H46	950A0357H26	950A0357H36
950A0253H09	950A0364H09	SVA-S 4" A STR STOP VALVE CAP	950A0358H63	950A0357H46	950A0357H26	950A0357H36
950A0240H10	950A0357H10	SVA-S 5" A ANG STOP VALVE H-WHEEL	950A0357H56	950A0357H47	950A0357H27	950A0357H37
950A0241H10	950A0358H10	SVA-S 5" A ANG STOP VALVE CAP	950A0358H64	950A0357H47	950A0357H27	950A0357H37
950A0252H10	950A0363H10	SVA-S 5" A STR STOP VALVE H-WHEEL	950A0357H56	950A0357H47	950A0357H27	950A0357H37
950A0253H10	950A0364H10	SVA-S 5" A STR STOP VALVE CAP	950A0358H64	950A0357H47	950A0357H27	950A0357H37
950A0240H11	950A0357H11	SVA-S 6" A ANG STOP VALVE H-WHEEL	950A0357H56	950A0357H48	950A0357H28	950A0357H38
950A0241H11	950A0358H11	SVA-S 6" A ANG STOP VALVE CAP	950A0358H64	950A0357H48	950A0357H28	950A0357H38
950A0252H11	950A0363H11	SVA-S 6" A STR STOP VALVE H-WHEEL	950A0357H56	950A0357H48	950A0357H28	950A0357H38
950A0253H11	950A0364H11	SVA-S 6" A STR STOP VALVE CAP	950A0358H64	950A0357H48	950A0357H28	950A0357H38
950A0240H12	950A0357H12	SVA-S 8" A ANG STOP VALVE H-WHEEL	950A0357H57	950A0357H49	950A0357H29	950A0357H39
950A0241H12	950A0358H12	SVA-S 8" A ANG STOP VALVE CAP	950A0358H65	950A0357H49	950A0357H29	950A0357H39
950A0252H12	950A0363H12	SVA-S 8" A STR STOP VALVE H-WHEEL	950A0357H57	950A0357H49	950A0357H29	950A0357H39
950A0253H12	950A0364H12	SVA-S 8" A STR STOP VALVE CAP	950A0358H65	950A0357H49	950A0357H29	950A0357H39

1. Service Kits will work for old SVA-ST valves also.
2. A = butt weld, SOC = socket weld, FPT = inside pipe thread, ANG = angle valve, STR = straight valve, CAP = seal cap, H-WHEEL = hand wheel.
3. SVA-S valves replace standard SVA-ST valves. See Danfoss marking ring on valve to identify.
4. New SVA-S valves first used 1 January 2013.
5. Consists of Seal Cap & Gasket or Handwheel, Washer, & Screw/Nut.
6. Consists of Packing Gland & Inspection Kit.
7. Consists of Packing Washer, Bonnet Gasket, Seal Cap Gasket, Bonnet O-ring.
8. Cone Assbly. (steel balls & allen screw), Allen Key, Back Sealing (3-8" only), Anti-spin Washer, Repair Kit including Inspection Kit.

DANFOSS HAND EXPANSION VALVES CROSS REFERENCE			SERVICE KITS ⁽¹⁾		
OLD	NEW REG-SA/SB	DESCRIPTION ⁽²⁾⁽³⁾⁽⁴⁾	REPAIR ⁽⁵⁾	INSPECTION ⁽⁶⁾	OVERHAUL ⁽⁷⁾
N/A	954A0091H01	REG-SA 1/2" 15 SOC ANG	950A0353H41	950A0353H21	954A0091H31
N/A	954A0091H02	REG-SB 1/2" 15 SOC ANG	950A0353H41	950A0353H21	954A0091H31
N/A	954A0093H01	REG-SA 1/2" 15 SOC STR	950A0353H41	950A0353H21	954A0091H31
954A0076H01	954A0093H02	REG-SB 1/2" 15 SOC STR	950A0353H41	950A0353H21	954A0091H31
954A0063H06	954A0091H03	REG-SA 3/4" 20 SOC ANG	950A0353H41	950A0353H21	954A0091H31
954A0063H08	954A0091H04	REG-SB 3/4" 20 SOC ANG	950A0353H41	950A0353H21	954A0091H31
N/A	954A0093H03	REG-SA 3/4" 20 SOC STR	950A0353H41	950A0353H21	954A0091H31
954A0076H02	954A0093H04	REG-SB 3/4" 20 SOC STR	950A0353H41	950A0353H21	954A0091H31
954A0063H03	954A0091H05	REG-SA 1" 25 SOC ANG	950A0353H42	950A0353H22	954A0091H32
954A0063H10	954A0091H06	REG-SB 1" 25 SOC ANG	950A0353H42	950A0353H22	954A0091H32
954A0076H03	954A0093H05	REG-SA 1" 25 SOC STR	950A0353H42	950A0353H22	954A0091H32
N/A	954A0093H06	REG-SB 1" 25 SOC STR	950A0353H42	950A0353H22	954A0091H32
954A0063H11	954A0091H07	REG-SA 1 1/4" 32 SOC ANG	950A0353H42	950A0353H22	954A0091H32
954A0063H12	954A0091H08	REG-SB 1 1/4" 32 SOC ANG	950A0353H42	950A0353H22	954A0091H32
954A0076H04	954A0093H07	REG-SA 1 1/4" 32 SOC STR	950A0353H42	950A0353H22	954A0091H32
N/A	954A0093H08	REG-SB 1 1/4" 32 SOC STR	950A0353H42	950A0353H22	954A0091H32
954A0063H13	954A0091H09	REG-SA 1 1/2" 40 SOC ANG	950A0353H42	950A0353H22	954A0091H32
N/A	954A0093H09	REG-SA 1 1/2" 40 SOC STR	950A0353H42	950A0353H22	954A0091H32
954A0076H06	954A0093H10	REG-SB 1 1/2" 40 SOC STR	950A0353H42	950A0353H22	954A0091H32
954A0063H05	954A0091H10	REG-SB 1 1/2" 40 SOC ANG	950A0353H42	950A0353H22	954A0091H32
954A0075H01	954A0092H01	REG-SB 2" 50 A ANG	950A0353H43	950A0353H23	954A0091H33
954A0075H02	954A0092H02	REG-SB 2 1/2" 65 A ANG	950A0357H44	950A0357H24	954A0092H34

1. Service Kits will work for old SVA-ST valves also.
2. A = butt weld, SOC = socket weld, ANG = angle valve, STR = straight valve.
3. REG-SA valves replace old standard valves. REG-SB valves are special order nonstandard cone size. See Danfoss marking ring on valve to identify.
4. New REG-SA/SB valves first used 1 January 2013.
5. Consists of Inspection Kit & Packing Gland, Grease (as needed).
6. Consists of Packing Gland Aluminum Ring, Bonnet/Housing Gasket, Insert Top O-ring, Cap Gasket, Aluminum Gasket/Packing Washer, O-ring between Bonnet & Housing (old SVA).
7. Consists of Cone Complete incl. Steel Balls & Allen Screw, Anti-Spin Washer, Allen Key, Repair Kit incl. Inspection Kit.

FRICK® BLUE PAINT	
Size Each	Part Number
1 PT.	993A0001H01*
1 GAL.	333Q0000404
2 GAL.	333Q0000724**

* Spray Can

** Matte finish epoxy paint. One gallon each of resin and cure that require mixing.

FRICK® COMPRESSOR OILS						
OIL	RECOMMENDED APPLICATIONS FOR Frick® REFRIGERANT OILS ⁽¹⁾		ORDERING INFORMATION			
	REFRIGERANT ⁽²⁾	SUCTION TEMPERATURE °F	ITEM NUMBERS			
			1 GALLON	5 GALLON	55 GALLON	330 GAL. TOTE ⁽³⁾
#2A	HALOCARBONS	-50°+	–	111Q0550019	111Q0550020	333Q0001866
#2B	HALOCARBONS	-50°+	–	–	–	–
#3	R-717	-50°+	333Q0001842	111Q0550001	111Q0550010	333Q0001861
#4	R-717	-50°+	–	–	111Q0550005	–
#5	HALOCARBONS	-50°+	–	–	111Q0550009	–
#6	HALOCARBONS	-70°+	–	333Q0000940	333Q0000941	–
#7	HALOCARBONS	-70°+	–	111Q0550024	111Q0550025	–
#9	R-717	-50°+	–	333Q0000850	333Q0000849	333Q0001862
#9ST	R-717	-50°+	–	333Q0001905	333Q0001904	–
#10A	R-717	-20°+	–	994A0002H01	994A0002H02	–
#11	R-717	-80°+	–	333Q0000852	333Q0000851	333Q0001863
#11ST	R-717	-70°+	–	333Q0001907	333Q0001906	–
#11FST	R-717	-65°+	–	994A0002H03	994A0002H04	–
#12	HYDROCARBONS	N/A	333Q0001140	333Q0001141	333Q0001142	–
#12B	HYDROCARBONS	N/A	–	333Q0001883	333Q0001884	–
#13	HFC	N/A	333Q0000511	333Q0001253	333Q0001254	–
#13B	HFC	N/A	333A0001939	333Q0001938	333Q0001937	–
#14	CO ₂	N/A	333Q0001143	333Q0001144	333Q0001145	–
#18	LANDFILL GAS	N/A	–	–	333Q0001892	–
#19	R-717	N/A	–	333Q0001900	333Q0001899	–
#20	R-717	N/A	–	333Q0001902	333Q0001903	–
NG#1	HYDROCARBONS	N/A	–	–	333Q0001850	–
NG#2	HYDROCARBONS	N/A	–	–	333Q0001851	–
NG#3	HYDROCARBONS	N/A	–	–	333Q0001852	–
CM#1	CO ₂	N/A	–	994A0002H05	994A0002H06	–
CM#2	CO ₂	N/A	–	994A0002H07	994A0002H08	–
SHIPPING WEIGHT:			8 lb	40 lb	466 lb	2720+ lb
OIL ANALYSIS KIT		333Q0001853				
TUBE OF ODP MOTOR GREASE		333Q0001860				

WIRING HARNESES CHART

Model Number	DESCRIPTION
RWFII 100/134	
649D5195G01	HARNESS INSTALLATION DRAWING
649D5195G02	HARNESS INSTALLATION DRAWING "STARTER OPTION"
649D5127H01	WIRE TRAY
649D5118H01	WIRE HARNESS AC
649D5964H01	WIRE HARNESS DC
RWFII 177/222	
649D5231G01	HARNESS INSTALLATION DRAWING
649D5231G02	HARNESS INSTALLATION DRAWING "STARTER OPTION"
649D5230H01	WIRE TRAY
649D5232H01	WIRE HARNESS AC
649D5965H01	WIRE HARNESS DC
RWFII 270/316/399	
649D5263G01	HARNESS INSTALLATION DRAWING
649D5263G02	HARNESS INSTALLATION DRAWING "STARTER OPTION"
649D5262H01	WIRE TRAY
649D5261H01	WIRE HARNESS AC
649D5966H01	WIRE HARNESS DC
RWFII 480/546	
649D5225G01	HARNESS INSTALLATION DRAWING
649D5225G02	HARNESS INSTALLATION DRAWING "STARTER OPTION"
649D5226H01	WIRE TRAY
649D5227H01	WIRE HARNESS AC
649D5967H01	WIRE HARNESS DC
RWFII 496 OS/676	
649D5265G01	HARNESS INSTALLATION DRAWING
649D5219G02	HARNESS INSTALLATION DRAWING "STARTER OPTION"
649D5186H01	WIRE TRAY
649D5189H01	WIRE HARNESS AC
649D5968H01	WIRE HARNESS DC
RWFII 676 OS/856	
649D5219G01	HARNESS INSTALLATION
649D5219G02	HARNESS INSTALLATION DRAWING "STARTER OPTION"
649D5186H01	WIRE TRAY
649D5189H01	WIRE HARNESS AC
649D5969H01	WIRE HARNESS DC
RWFII 1080	
649D5219G01	HARNESS INSTALLATION DRAWING
649D5219G02	HARNESS INSTALLATION DRAWING "STARTER OPTION"
649D5186H01	WIRE TRAY
649D5189H01	WIRE HARNESS AC
649D5969H01	WIRE HARNESS DC

RWFII ROTARY SCREW COMPRESSOR UNIT
NUMERICAL PARTS LIST



PART NUMBER	FIG. & INDEX NO.	PART NUMBER	FIG. & INDEX NO.	PART NUMBER	FIG. & INDEX NO.
553E0013	8-1	534D1251H01	2-2	580C0425G10	7-7
553E0013	9-1	534D1251H03	2-2	580C0425G12	7-7
553E0014	8-1	534E0656C01	2-15	580C0425G14	7-7
553E0014	9-1	534E0656C01	3-6	580C0426G10	7-7
553E0015	8-1	534E0684C01	2-15	580C0426G12	7-7
553E0015	9-1	534E0684C01	4-1	580C0426G14	7-7
553E0020	8-1	534E0684C11	2-15	580C0440G10	7-7
553E0020	9-1	534E0684C11	4-2	580C0440G12	7-7
111Q0019410	17-4	534E0731C01	2-15	580C0440G14	7-7
111Q0019410	18-4	534E0731C01	5-1	581A0026H04	17-4
111Q0452525	17-4	534E0773C01	2-15	581A0026H04	18-4
111Q0452525	18-4	534E0773C01	3-6	582C0030G01	1-7
111Q0940164	17-10	534E0928C01	2-15	582C0030G01	23-16
111Q0940164	18-10	534E0928C01	6-1	582C0030G03	1-7
333Q0000738	2-15	534M0163G02	2-10	582C0030G03	23-16
333Q0000738	3-1	534M0163G03	2-10	582C0031G01	1-7
333Q0000738	4-8	534M0163G04	2-10	582C0031G01	23-16
333Q0000738	5-7	534M0163G05	2-10	582C0031G03	1-7
333Q0001237	8-14	535A0115H04	7-18	582C0031G03	23-16
333Q0001268	8-9	535A0115H06	7-19	582C0032G01	1-7
531A0105H04	7-1	535A0115H07	7-20	582C0032G01	23-16
531A0218H02	8-10	535A0115H08	7-21	582C0032G03	1-7
531B0099H01	7-8	535A0144H01	8-6	582C0032G03	23-16
531B0100H02	8-10	535D0193C04	18-3	582C0033G01	1-7
531B0100H03	8-10	535D0548G01	17-3	582C0033G01	23-16
534A0032H02	2-1	535D0549G01	1-6	582C0033G03	1-7
534A0506H01	2-15	535D0553G01	1-6	582C0033G03	23-16
534A0506H01	3-2	535E0122H01	2-5	639A0151G03	7-6
534A0506H01	4-7	535E0122H11	2-5	639A0151G03	23-12
534A0506H01	5-6	540D0217G03	7-11	639A0151H01	7-6
534A0662H02	2-4	540D0217H03	7-10	639A0151H01	23-12
534A0662H03	2-4	540D0217H06	7-9	639A0259H12	1-4
534A0662H04	2-4	540D0217H06	8-16	640D0121H01	12-1
534B0149H01	2-15	553A0001H01	8-3	640D0133G01	1-5
534B0149H01	3-3	580A0230H01	17-8	649A0890H01	1-6
534B0149H01	4-3	580A0230H01	18-8	649A0890H01	2-11
534B0149H01	5-2	580A0232H02	17-5	649A0890H01	7-4
534B0149H01	6-7	580A0232H02	18-5	649A0890H01	7-6
534B0151H01	2-15	580A0234H02	17-9	649A0890H01	8-17
534B0151H01	3-4	580A0234H02	18-9	649A0890H01	9-4
534B0151H01	4-4	580A0235H03	17-4	649A0890H01	19-5
534B0151H01	5-3	580A0235H03	18-4	649A0890H01	23-12
534B0151H01	6-4	580B0240G08	17-4	649A0890H01	23-13
534B0705H01	2-15	580B0240G08	18-4	649A0890H02	1-6
534B0705H01	3-5	580B0243G01	17-4	649A0890H02	2-11
534B0723H01	2-15	580B0243G01	18-4	649A0890H02	7-4
534B0723H01	4-6	580B0243H01	17-4	649A0890H02	7-6
534B0740H01	2-15	580B0243H01	18-4	649A0890H02	8-17
534B0740H01	5-5	580B0246G09	17-5	649A0890H02	9-4
534B1010H01	2-15	580B0246G09	18-5	649A0890H02	19-5
534B1010H01	6-2	580B0273H08	17-5	649A0890H02	23-12
534C1264H01	2-3	580B0273H08	18-5	649A0890H02	23-13
534C1264H02	2-3	580C0264C01	17-4	649A0890H11	1-6
534C1264H03	2-3	580C0264C01	18-4	649A0890H11	2-11
534C1264H04	2-3	580C0269H01	17-7	649A0890H11	7-6
534C1264H05	2-3	580C0269H01	18-7	649A0890H11	8-17
534C1314H01	2-1	580C0394H01	17-5	649A0890H11	9-4
534C1314H02	2-1	580C0394H01	18-5	649A0890H11	19-5
534C1314H03	2-1	580C0404G07	7-7	649A0890H11	23-12
534C1466H01	2-15	580C0404G09	7-7	649A0890H11	23-13
534C1466H01	3-5	580C0407G07	7-7	649D4628H01	1-6
534C1478H01	2-1	580C0407G09	7-7	649D4628H01	2-11
534C1478H02	2-1	580C0424G10	7-7	649D4628H01	8-17
534C1699H01	2-15	580C0424G12	7-7	649D4628H01	9-4
534C1699H01	6-3	580C0424G14	7-7	649D4628H01	19-5

PART NUMBER	FIG. & INDEX NO.	PART NUMBER	FIG. & INDEX NO.	PART NUMBER	FIG. & INDEX NO.
649D4628H01	23-13	913A0098H01	7-6	950A0001H36	19-1
720A0052H01	1-4	913A0098H01	23-12	950A0001H38	24-1
720B0078G01	23-2	913A0100H01	7-6	950A0001H40	19-1
720B0078H21	23-2	913A0100H01	23-12	950A0001H41	19-1
720B0078H22	23-2	913A0123H01	7-5	950A0169G01	18-1
720C0165H58	22-1	913A0123H11	7-5	950A0185G01	18-1
720C0165H90	22-1	913A0123H12	7-5	950A0232H31	12-1
720C0165P03	22-1	913A0150H03	1-6	950A0283H01	1-6
720C0166H13	22-1	913A0150H03	23-13	950A0283H01	23-17
720C0166H25	22-1	913A0150H05	2-11	950A0283H02	1-6
720C0166H38	22-1	913A0150H05	8-17	950A0283H02	17-1
720C0167H01	22-1	913A0150H05	9-4	950A0283H02	23-17
720C0167H13	22-1	913A0150H05	19-5	950A0283H21	23-17
720C0167H25	22-1	913A0150H05	23-13	950A0283H22	23-17
720C0167H37	22-1	914A0015H01	20-1	950A0284H02	17-1
720C0189G01	19-7	914A0015H02	20-1	950A0286G01	17-1
720C0189G02	19-7	914A0015H03	20-1	950A0286G02	17-1
720C0189G03	19-7	914A0015H04	20-1	950A0292H01	8-17
720C0189G04	19-7	914A0015H05	20-1	950A0292H01	9-4
720M0532	19-4	914A0015H06	20-1	950A0292H01	10-9
900A0007H01	8-11	914A0015H07	20-1	950A0292H01	11-2
900A0008H01	8-12	914A0015H08	20-1	950A0292H01	12-2
901A0045D04	7-14	914A0015H09	20-1	950A0292H01	19-6
901A0048D09	17-11	914A0015H10	20-1	950A0292H10	23-6
901A0048D09	18-11	914A0015H13	20-1	950A0292H01	24-2
901A0050D02	17-1	914A0015H14	20-1	950A0292H02	12-1
901A0050D02	18-1	914A0015H15	20-1	950A0292H02	23-6
901A0098H13	8-4	914A0015H16	20-1	950A0292H03	7-16
901A0172H03	10-6	914A0015H18	20-1	950A0292H03	8-21
901A0172H05	10-6	914A0015H19	20-1	950A0292H03	9-7
901A0172H06	10-6	914A0015H20	20-1	950A0292H03	23-6
901A0172H06	11-7	914A0016H02	20-1	950A0293H01	12-1
901A0190H06	2-15	914A0016H04	20-1	950A0293H02	12-1
901A0190H06	3-7	914A0016H05	20-1	950A0293H03	12-1
901A0190H06	4-9	914A0016H12	20-1	950A0294H01	10-7
901A0190H06	5-8	914A0016H18	20-1	950A0294H01	23-10
901A0192H06	2-13	914A0016H20	20-1	950A0294H02	10-7
901A0206H09	2-13	914A0016H22	20-1	950A0294H02	11-9
901A0207H10	2-13	914A0016H23	20-1	950A0294H02	23-10
901A0222H07	2-15	914A0016H24	20-1	950A0294H11	10-7
901A0222H07	6-6	914A0016H25	20-1	950A0294H11	11-9
901A0223H08	2-15	944A0008H02	17-5	950A0294H11	23-10
901A0223H08	5-4	944A0008H02	18-5	950A0297H01	10-7
901A0224H03	2-15	944A0108H05	10-4	950A0297H01	11-9
901A0224H03	6-5	944A0108H07	10-4	950A0297H01	23-10
901A0224H09	2-15	944A0108H08	10-4	950A0297H11	10-7
901A0224H09	3-8	944A0108H08	11-5	950A0297H11	11-9
901A0224H09	4-5	944A0117H01	12-3	950A0297H11	23-10
901A0228H20	2-7	944A0255H01	19-9	950A0320H05	10-2
901A0231H01	2-13	944A0358H02	19-4	950A0320H05	23-21
901A0258H01	8-8	944A0358H03	19-4	950A0320H06	10-2
902A0021H01	7-12	944A0358H04	19-4	950A0320H06	23-21
902A0021H01	8-15	944A0358H05	19-4	950A0320H15	10-2
902A0021H03	8-5	947A0003H05	7-2	950A0320H15	23-21
905A0007H05	8-13	947A0003H07	7-2	950A0320H16	10-2
905A0012H05	7-13	950A0001H02	24-1	950A0320H16	10-8
905A0013H05	7-14	950A0001H06	19-1	950A0320H16	11-8
905A0013H08	17-12	950A0001H08	19-1	950A0320H16	23-21
905A0013H08	18-12	950A0001H09	19-1	950A0327H01	12-1
905A0013H10	17-1	950A0001H21	24-1	950A0327H02	12-1
905A0013H10	18-1	950A0001H25	19-1	950A0327H03	12-1
913A0047H02	7-4	950A0001H27	19-1	950A0327H11	12-1
913A0047H04	7-4	950A0001H28	19-1	950A0327H13	12-1
913A0092G02	7-4	950A0001H31	24-1	950A0327H14	12-1
913A0092G04	7-4	950A0001H34	19-1	950A0327H15	12-1

RWFII ROTARY SCREW COMPRESSOR UNIT
NUMERICAL PARTS LIST



PART NUMBER	FIG. & INDEX NO.	PART NUMBER	FIG. & INDEX NO.	PART NUMBER	FIG. & INDEX NO.
950A0327H16	12-1	950A0357H34	9-3	954A0062H04	23-8
950A0327H17	12-1	950A0357H34	10-1	954A0062H27	8-19
950A0327H22	12-1	950A0357H34	11-1	954A0062H27	9-5
950A0328H06	10-8	950A0357H34	19-3	954A0062H28	8-19
950A0328H06	11-8	950A0357H34	23-9	954A0062H28	9-5
950A0329H01	10-2	950A0357H34	23-11	954A0062H28	23-8
950A0329H01	11-4	950A0357H35	8-18	954A0062H29	8-19
950A0329H01	23-21	950A0357H35	9-2	954A0062H29	9-5
950A0329H02	11-4	950A0357H35	9-3	954A0062H29	23-8
950A0329H11	10-2	950A0357H35	11-1	954A0070H19	12-1
950A0329H11	11-4	950A0357H35	19-3	954A0075H23	23-8
950A0329H11	23-21	950A0357H35	23-9	954A0092H01	8-19
950A0329H12	10-8	950A0357H37	23-17	954A0092H01	9-5
950A0329H12	11-4	950A0357H38	23-17	954A0092H01	23-8
950A0329H12	11-8	950A0357H39	23-17	955B0001H02	7-7
950A0329H13	11-8	950A0358H07	8-18	955B0001H11	7-7
950A0330H02	10-8	950A0358H07	9-2	955B0001H12	7-7
950A0330H02	11-8	950A0358H07	10-1	955B0001H13	7-7
950A0330H03	11-8	950A0358H07	11-1	955B0002H02	7-7
950A0339H01	8-20	950A0358H07	19-3	955B0002H11	7-7
950A0339H01	9-6	950A0358H07	23-9	955B0002H12	7-7
950A0339H01	23-23	950A0358H07	23-11	955B0002H13	7-7
950A0353H21	7-17	950A0358H08	8-18	955B0005H01	7-7
950A0353H31	7-17	950A0358H08	9-2	955B0005H02	7-7
950A0353H31	23-7	950A0358H08	11-1	955B0005H03	7-7
950A0353H32	8-18	950A0358H08	19-3	956A0012G01	10-3
950A0353H32	9-2	950A0358H08	23-9	956A0012G02	11-3
950A0353H32	9-3	950A0359H06	9-3	956A0012G02	23-22
950A0353H32	19-3	950A0360H05	9-3	956A0012G03	10-3
950A0353H32	23-9	950A0364H07	9-3	956A0012G03	23-22
950A0353H33	8-18	950A0364H08	9-3	956A0012G04	20-3
950A0353H33	9-2	951A0006H14	24-1	956A0012G04	23-20
950A0353H33	9-3	951A0009H01	24-1	956A0012G05	10-3
950A0353H33	10-1	951A0053G01	12-3	956A0012G05	11-3
950A0353H33	19-3	951A0053G11	12-3	956A0012G05	23-22
950A0353H33	23-9	951A0053H01	12-3	956A0014H01	20-3
950A0353H33	23-11	951A0054H01	12-3	956A0014H01	23-20
950A0353H41	7-17	951A0113H20	2-9	956A0014H02	20-3
950A0353H43	8-19	951A0114H01	2-8	956A0014H02	23-20
950A0353H43	9-5	951A0114H02	2-8	956A0025H23	19-2
950A0354H02	7-17	951A0114H05	2-8	956A0025H24	19-2
950A0354H02	23-7	951A0114H06	2-8	956A0025H25	19-2
950A0354H05	8-18	952A0051H10	7-7	956A0045H01	1-7
950A0354H05	9-2	952A0051H12	7-7	956A0045H02	1-7
950A0354H05	19-3	952A0051H14	7-7	956A0046H01	1-7
950A0354H05	23-9	952A0052H10	7-7	956A0046H02	1-7
950A0354H06	8-18	952A0052H12	7-7	956A0047H01	1-7
950A0354H06	9-2	952A0052H14	7-7	956A0047H02	1-7
950A0354H06	10-1	952A0053H10	7-7	956A0048H01	1-7
950A0354H06	19-3	952A0053H12	7-7	956A0048H02	1-7
950A0354H06	23-9	952A0053H14	7-7	956A0052H01	23-14
950A0354H06	23-11	952A0055H07	7-7	956A0052H02	23-14
950A0354H61	7-17	952A0055H09	7-7	956A0063H01	1-6
950A0357H09	1-7	952A0058H07	7-7	956A0063H01	23-18
950A0357H10	1-6	952A0058H09	7-7	956A0063H02	1-6
950A0357H10	1-7	952A0062H10	7-7	956A0063H02	23-18
950A0357H10	23-17	952A0062H12	7-7	956A0063H03	1-6
950A0357H11	1-6	952A0062H14	7-7	956A0063H03	23-18
950A0357H11	1-7	954A0062H02	8-19	956A0063H04	1-6
950A0357H11	23-17	954A0062H02	9-5	956A0063H04	23-18
950A0357H12	1-6	954A0062H03	8-19	956A9912G01	23-22
950A0357H12	1-7	954A0062H03	9-5	959A0053H01	8-7
950A0357H12	23-17	954A0062H03	23-8	959A0054H23	20-2
950A0357H34	8-18	954A0062H04	8-19	959A0054H25	10-5
950A0357H34	9-2	954A0062H04	9-5	959A0054H25	20-2

PART NUMBER	FIG. & INDEX NO.	PART NUMBER	FIG. & INDEX NO.	PART NUMBER	FIG. & INDEX NO.
959A0054H27	10-5	960A0083G04	20-1	960A0105H30	20-1
959A0054H27	20-2	960A0083G07	20-1	960A0106G01	20-1
959A0054H28	10-5	960A0083G08	20-1	960A0106G02	20-1
959A0054H28	11-6	960A0083G09	20-1	960A0106G03	20-1
959A0054H28	20-2	960A0083G10	20-1	960A0106G04	20-1
959A0054H30	2-12	960A0083H01	20-1	960A0106G05	20-1
959A0054H30	7-3	960A0083H03	20-1	960A0106G06	20-1
959A0054H31	1-6	960A0100G01	20-1	960A0106G07	20-1
959A0054H31	2-3	960A0100G02	20-1	960A0106G08	20-1
959A0054H31	2-14	960A0100G03	20-1	960A0106G09	20-1
959A0054H31	23-19	960A0100G04	20-1	960A0106G10	20-1
959A0054H32	1-6	960A0100G05	20-1	960A0106G11	20-1
959A0054H32	2-3	960A0100G06	20-1	960A0106G12	20-1
959A0054H32	2-12	960A0100G07	20-1	960A0106G13	20-1
959A0054H32	2-14	960A0100G08	20-1	960A0106G14	20-1
959A0054H32	7-3	960A0100G09	20-1	960A0106H01	20-1
959A0054H32	23-19	960A0100H01	20-1	960A0106H02	20-1
959A0054H33	1-6	960A0100H02	20-1	960A0106H30	20-1
959A0054H33	2-3	960A0101G07	20-1	960A0107G01	20-1
959A0054H33	2-12	960A0101G08	20-1	960A0107G02	20-1
959A0054H33	2-14	960A0101G10	20-1	960A0107G03	20-1
959A0054H33	7-3	960A0101H07	20-1	960A0107G04	20-1
959A0054H33	23-19	960A0101H08	20-1	960A0107G05	20-1
959A0054H34	2-3	960A0101H10	20-1	960A0107G06	20-1
959A0054H34	2-12	960A0103G01	20-1	960A0107G07	20-1
959A0054H34	2-14	960A0103G02	20-1	960A0107G08	20-1
959A0054H34	7-3	960A0103G03	20-1	960A0107G09	20-1
959A0054H34	23-19	960A0103G04	20-1	960A0107G10	20-1
959A0054H36	2-14	960A0103G05	20-1	960A0107G21	20-1
959A0057H05	19-4	960A0103G06	20-1	960A0107G22	20-1
959A0057H05	19-8	960A0103G07	20-1	960A0107G23	20-1
959A0057H06	19-4	960A0103G08	20-1	960A0107G24	20-1
959A0057H06	19-8	960A0103G09	20-1	960A0107G25	20-1
959A0057H07	19-4	960A0103G10	20-1	960A0107G26	20-1
959A0057H07	19-8	960A0103G11	20-1	960A0107H01	20-1
959A0057H18	19-4	960A0103G12	20-1	960A0107H02	20-1
959A0057H18	19-8	960A0103G13	20-1	960A0107H03	20-1
959A0061H05	17-6	960A0103G14	20-1	960A0107H30	20-1
959A0061H05	18-6	960A0103H01	20-1	960A0108G01	20-1
959A0062H26	17-2	960A0103H02	20-1	960A0108G02	20-1
959A0062H27	18-2	960A0103H30	20-1	960A0108G03	20-1
959A0082H01	8-2	960A0104G01	20-1	960A0108H01	20-1
959A0098H01	1-6	960A0104G02	20-1	960A0108H30	20-1
959A0105H01	7-15	960A0104G03	20-1	980A0012A61	2-6
960A0066H11	20-1	960A0104G04	20-1	980A0012H87	17-4
960A0066H12	20-1	960A0104G05	20-1	980A0012H87	18-4
960A0067H11	20-1	960A0104G06	20-1	980A0012K60	2-2
960A0067H12	20-1	960A0104G07	20-1	980A0012K60	12-4
960A0067H13	20-1	960A0104G08	20-1	980A0012K60	23-5
960A0068H11	20-1	960A0104G09	20-1	980A0012K62	2-1
960A0082G01	20-1	960A0104G10	20-1	980A0012K66	12-5
960A0082G02	20-1	960A0104G21	20-1	980A0012K66	23-3
960A0082G03	20-1	960A0104G22	20-1	980A0012K66	23-4
960A0082G04	20-1	960A0104G23	20-1	980A0012K69	12-5
960A0082G05	20-1	960A0104G24	20-1	DAN027H0427	12-1
960A0082G06	20-1	960A0104G25	20-1		
960A0082G07	20-1	960A0104G26	20-1		
960A0082G08	20-1	960A0104H01	20-1		
960A0082G09	20-1	960A0104H02	20-1		
960A0082G10	20-1	960A0104H03	20-1		
960A0082H01	20-1	960A0104H30	20-1		
960A0082H02	20-1	960A0105G01	20-1		
960A0083G01	20-1	960A0105G02	20-1		
960A0083G02	20-1	960A0105G03	20-1		
960A0083G03	20-1	960A0105H01	20-1		

